



Chipsmall Limited consists of a professional team with an average of over 10 year of expertise in the distribution of electronic components. Based in Hongkong, we have already established firm and mutual-benefit business relationships with customers from,Europe,America and south Asia,supplying obsolete and hard-to-find components to meet their specific needs.

With the principle of “Quality Parts,Customers Priority,Honest Operation,and Considerate Service”,our business mainly focus on the distribution of electronic components. Line cards we deal with include Microchip,ALPS,ROHM,Xilinx,Pulse,ON,Everlight and Freescale. Main products comprise IC,Modules,Potentiometer,IC Socket,Relay,Connector.Our parts cover such applications as commercial,industrial, and automotives areas.

We are looking forward to setting up business relationship with you and hope to provide you with the best service and solution. Let us make a better world for our industry!



## Contact us

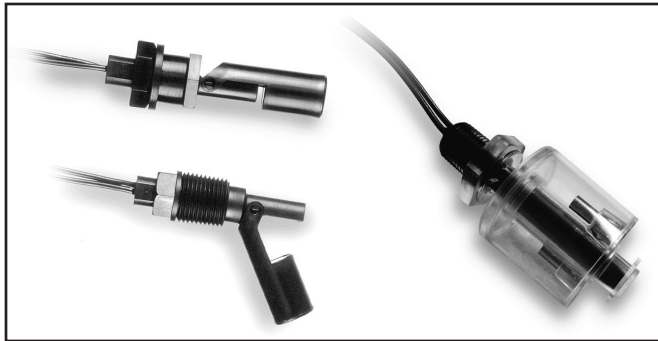
Tel: +86-755-8981 8866 Fax: +86-755-8427 6832

Email & Skype: info@chipsmall.com Web: www.chipsmall.com

Address: A1208, Overseas Decoration Building, #122 Zhenhua RD., Futian, Shenzhen, China



# Level Sensors Electromechanical Float Switches Types FS, Horizontal and Vertical Mount



- Float switches for liquid level sensing
- Horizontal or vertical mount
- Polypropylene, nylon, or polysulfone housings
- Maximum switching voltage: 200 VDC or 240 VAC
- Maximum switching current: 0.5 A (SPST)
- Suitable for specific gravities > 0.75

## Product Description

The FS series of sensors are economical electromechanical float switches for liquid level sensing. Selectable normally open or normally closed outputs, along

with various mounting configurations and housing materials, allow the FS sensors to fit a wide variety of level applications.

## Ordering Key

**FS H -2 4**

Type \_\_\_\_\_  
 Mounting attitude \_\_\_\_\_  
 Mounting type \_\_\_\_\_  
 Housing material \_\_\_\_\_

## Type Selection

Housing Material	Horizontal mount, Ø16 mm compression	Horizontal mount, 1/2" NPT thread	Vertical mount, 1/8" PF thread
Polypropylene	<b>FSH-21</b>	<b>FSH-31</b>	<b>FSV-31</b>
Nylon*	<b>FSH-24</b>	<b>FSH-34</b>	
Polysulfone	<b>FSH-25</b>	<b>FSH-35</b>	<b>FSV-35</b>

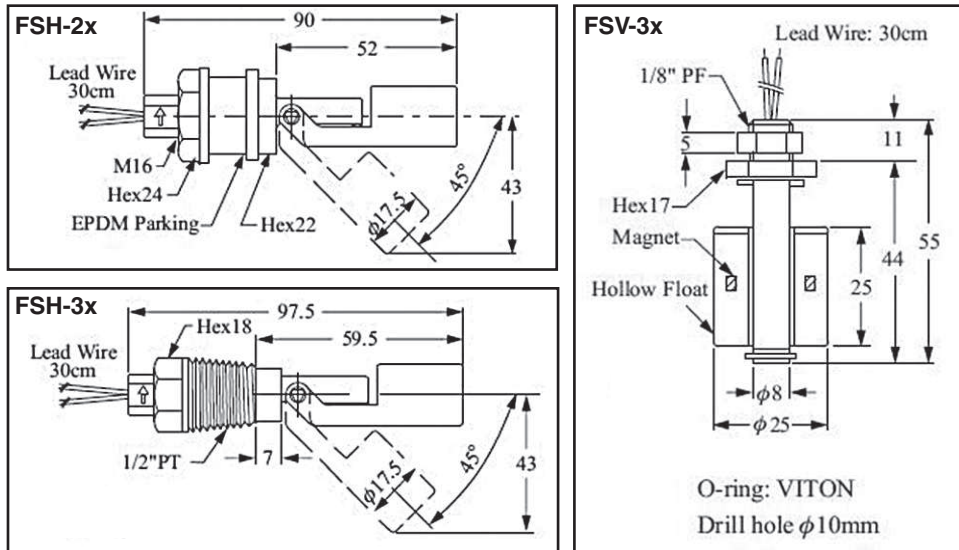
## Specifications

<b>Rated maximum switching voltage</b>	200 VDC, 240 VAC	<b>Connection</b>	2 wires, XLPE 22 AWG x 12 in.
<b>Rated maximum current</b>		<b>Suitable specific gravity</b>	
Switching	0.5 A	FS... 1 types	>0.75
Carrying	1.0 A	FS... 4 types	>0.80
		FS... 5 types	>0.85
<b>Rated maximum switching capacity</b>	50W (VA)	<b>Housing material color</b>	
<b>Switch type, function</b>	Reed, SPST	FS... 1 Types	Polypropylene, black
<b>Rated operating temperature</b>		FS... 4 types	*Nylon, white
FS... 1 types	-4 to +176°F	FS... 5 types	Polysulfone, transparent
FS... 4 types	-4 to +250°F	<b>MTBF</b>	1,000,000 Cycles
FS... 5 types	-4 to +250°F	<b>Approvals</b>	CE
<b>Rated operating pressure</b>		<b>Weight</b>	
FS... 1 types	57 psi	FSH... 1 types	35 g
FS... 4/5 types	28 psi	FSH... 4 types	38 g
		FSH... 5 types	40 g
		FSV... types	18 g

\* Nylon floats may absorb water if submerged for extended periods of time, therefore they are not recommended for low-level applications in water-based media.



## Dimensions



## Installation Guide

- FSH...types** Normally open or normally closed operation is selectable by orientation of the sensor in the tank. Normally open switching is obtained when the arrow on the mounting is pointed up, and vice versa, normally closed when the arrow is downward.
- FSV...types** Normally open or normally closed operation is selectable by inversion of the float on the shaft. The switches are shipped normally open otherwise indicated.

