



Chipsmall Limited consists of a professional team with an average of over 10 year of expertise in the distribution of electronic components. Based in Hongkong, we have already established firm and mutual-benefit business relationships with customers from,Europe,America and south Asia,supplying obsolete and hard-to-find components to meet their specific needs.

With the principle of “Quality Parts,Customers Priority,Honest Operation,and Considerate Service”,our business mainly focus on the distribution of electronic components. Line cards we deal with include Microchip,ALPS,ROHM,Xilinx,Pulse,ON,Everlight and Freescale. Main products comprise IC,Modules,Potentiometer,IC Socket,Relay,Connector.Our parts cover such applications as commercial,industrial, and automotives areas.

We are looking forward to setting up business relationship with you and hope to provide you with the best service and solution. Let us make a better world for our industry!



Contact us

Tel: +86-755-8981 8866 Fax: +86-755-8427 6832

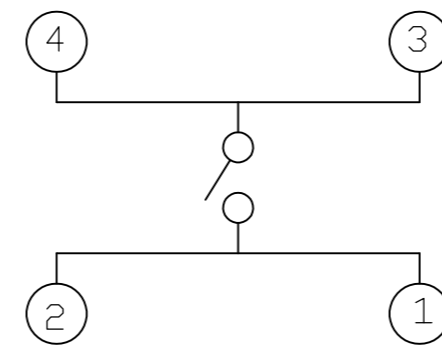
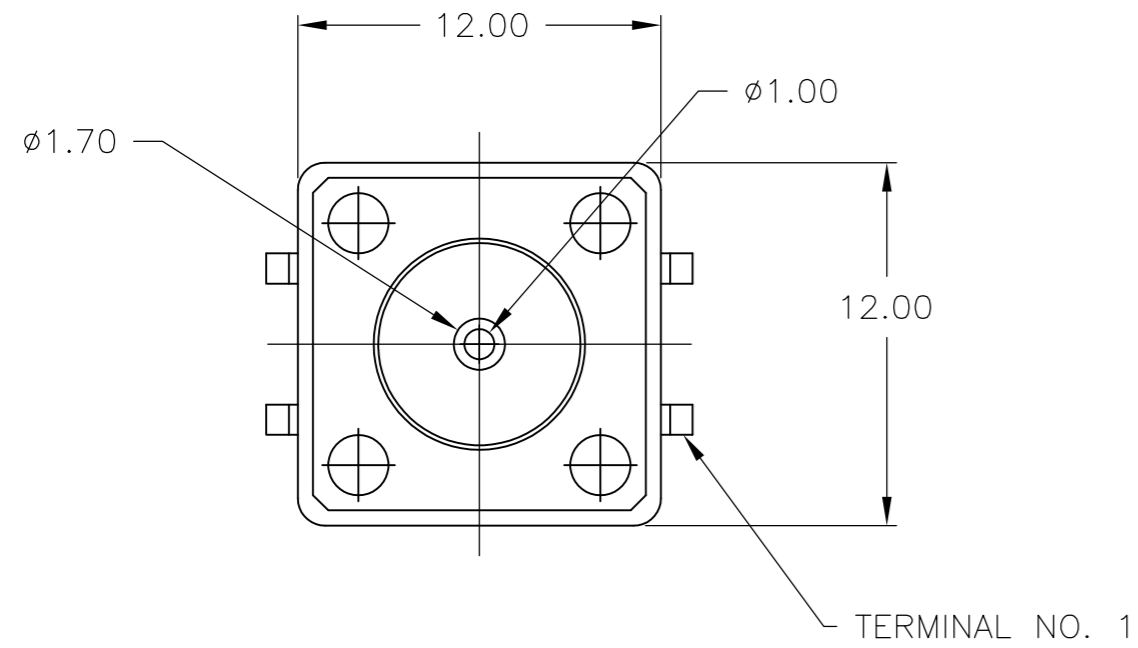
Email & Skype: info@chipsmall.com Web: www.chipsmall.com

Address: A1208, Overseas Decoration Building, #122 Zhenhua RD., Futian, Shenzhen, China



THIS DRAWING IS UNPUBLISHED. RELEASED FOR PUBLICATION
 © COPYRIGHT - By - ALL RIGHTS RESERVED.

LOC	DIST	REVISIONS			
P	LTR	DESCRIPTION	DATE	DWN	APVD
AD	00	F2	REVISED PER ECO-11-004587	11MAR11	RK HMR



CIRCUIT DIAGRAM

SPECIFICATIONS:

MATERIALS

CASE: THERMOPLASTIC, UL94-HB, BLACK
 COVER: THERMOPLASTIC
 ACTUATOR: THERMOPLASTIC, UL94-HB, COLOR: SEE TABLE
 MOVING CONTACT: COPPER ALLOY, SILVER CLAD
 FIXED CONTACT: COPPER ALLOY, SILVER PLATED

ELECTRICAL

MAX CONTACT RATING: 50MILLIAMPS@24V DC
 MIN CONTACT RATING: 10MICROAMPS@1V DC
 INITIAL CONTACT RESISTANCE: 100 MILLIOHM MAX
 INSULATION RESISTANCE: 100 MEGOHMS MIN @ 100VDC
 DIELECTRIC STRENGTH: 500 VAC 50/60 Hz FOR 1 MINUTE
 LIFE EXPECTANCY: UP TO 100,000 CYCLES

MECHANICAL

ACTUATION FORCE: DIM "A"
 ACTUATION TRAVEL: 0.30±0.15

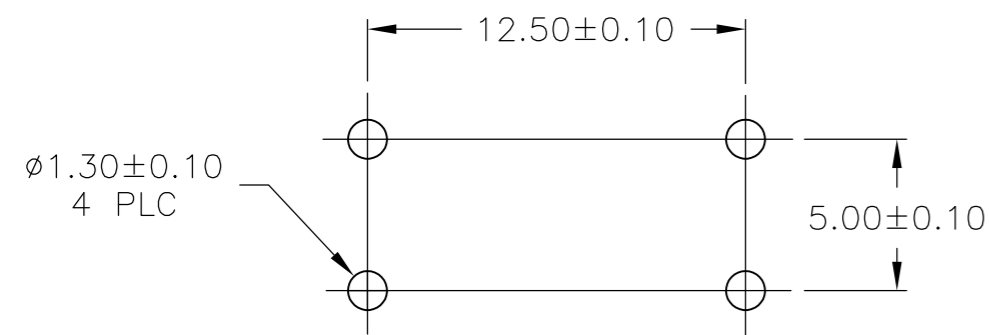
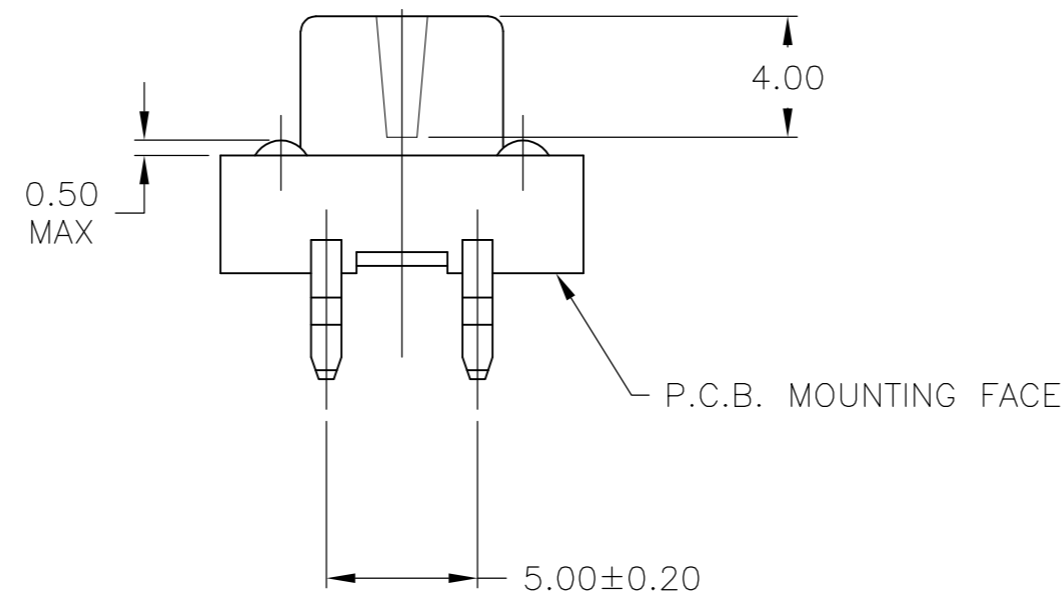
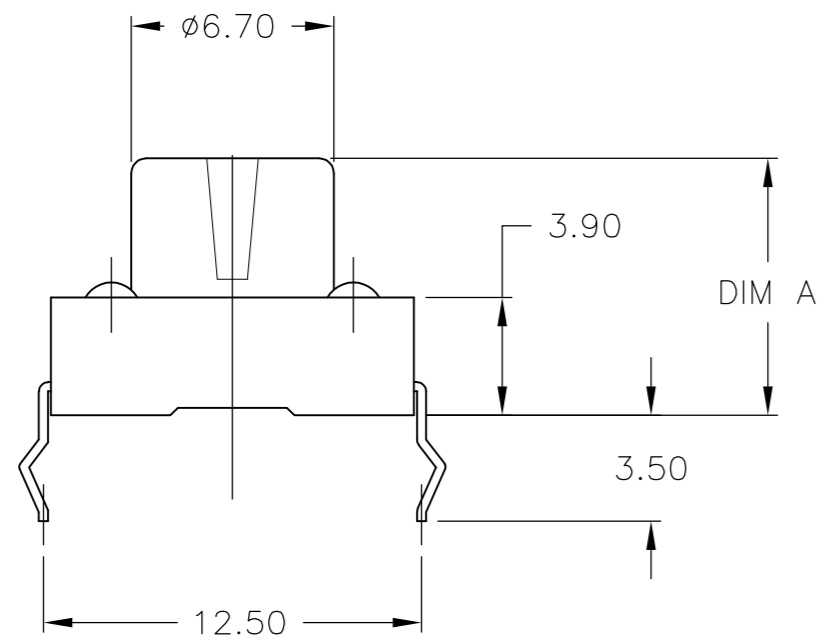
ENVIRONMENTAL

OPERATING TEMPERATURE: -35°C TO +85°C, 45% TO 85% RH
 STORAGE TEMPERATURE: -35°C TO +85°C
 RESISTANCE TO SOLDER HEAT PER 109-202, CONDITION B

SOLDERABILITY:

SPECIFICATION EIA-364-52, CLASS 1, CATEGORY 2

- ALL MATERIALS AND FINISHES SHALL COMPLY WITH EU DIRECTIVE 2002/95/EC OF 27JAN2003 ROHS



P.C.B. MOUNTING HOLE DIMENSION

	BLACK	7.50	160+/-50g	FSM101	1437565-3
OBSOLETE	RED	8.50	260+/-50g	FSM201A	1571140-1
	Actuator Color	Dim "A"	Actuation Force	T&B P/N	P/N

THIS DRAWING IS A CONTROLLED DOCUMENT.		DWN R BROWN 06MAY02																								
DIMENSIONS: mm		CHK H WYNKOOP 06MAY02																								
TOLERANCES UNLESS OTHERWISE SPECIFIED:		APVD H WYNKOOP 06MAY02	NAME SWITCH, TACTILE, 12 X 12																							
<table border="1"> <tr><td>0 PLC</td><td>±</td><td>-</td></tr> <tr><td>1 PLC</td><td>±</td><td>-</td></tr> <tr><td>2 PLC</td><td>±</td><td>0.30</td></tr> <tr><td>3 PLC</td><td>±</td><td>-</td></tr> <tr><td>4 PLC</td><td>±</td><td>-</td></tr> <tr><td>ANGLES</td><td>±</td><td>-</td></tr> <tr><td>FINISH</td><td>±</td><td>-</td></tr> </table>		0 PLC	±	-	1 PLC	±	-	2 PLC	±	0.30	3 PLC	±	-	4 PLC	±	-	ANGLES	±	-	FINISH	±	-	PRODUCT SPEC -	SIZE A2	CAGE CODE 00779	DRAWING NO 1571140
0 PLC	±	-																								
1 PLC	±	-																								
2 PLC	±	0.30																								
3 PLC	±	-																								
4 PLC	±	-																								
ANGLES	±	-																								
FINISH	±	-																								
MATERIAL SEE NOTES		APPLICATION SPEC -	WEIGHT -	SCALE 4:1	SHEET 1 of 1																					
SEE NOTES		CUSTOMER DRAWING	REV F2	RESTRICTED TO -																						