



Chipsmall Limited consists of a professional team with an average of over 10 year of expertise in the distribution of electronic components. Based in Hongkong, we have already established firm and mutual-benefit business relationships with customers from,Europe,America and south Asia,supplying obsolete and hard-to-find components to meet their specific needs.

With the principle of “Quality Parts,Customers Priority,Honest Operation,and Considerate Service”,our business mainly focus on the distribution of electronic components. Line cards we deal with include Microchip,ALPS,ROHM,Xilinx,Pulse,ON,Everlight and Freescale. Main products comprise IC,Modules,Potentiometer,IC Socket,Relay,Connector.Our parts cover such applications as commercial,industrial, and automotives areas.

We are looking forward to setting up business relationship with you and hope to provide you with the best service and solution. Let us make a better world for our industry!



Contact us

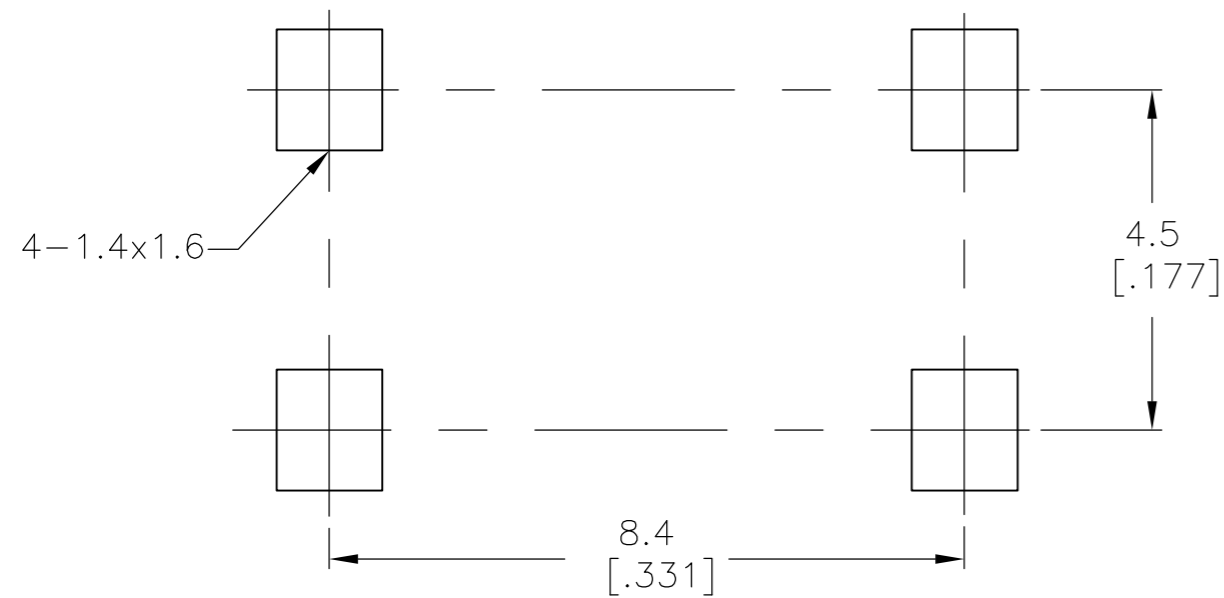
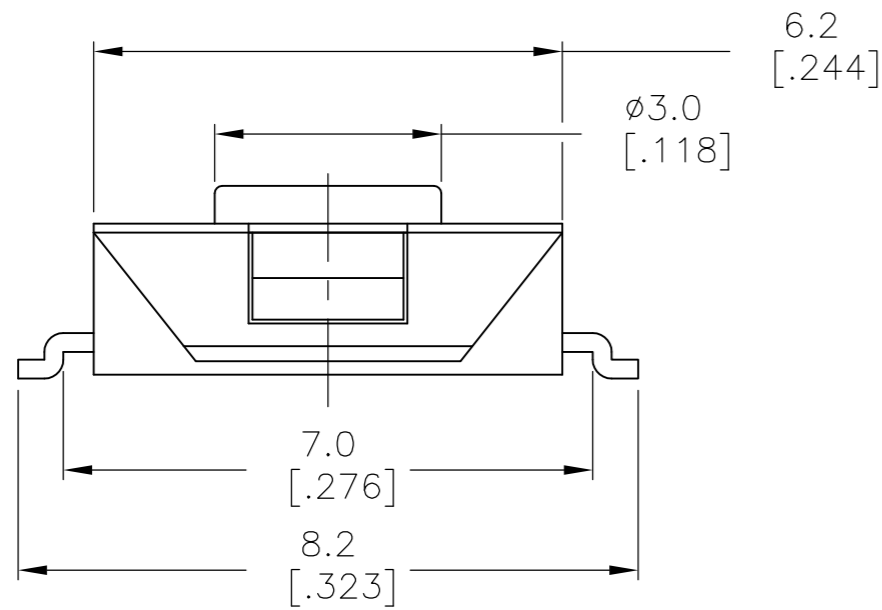
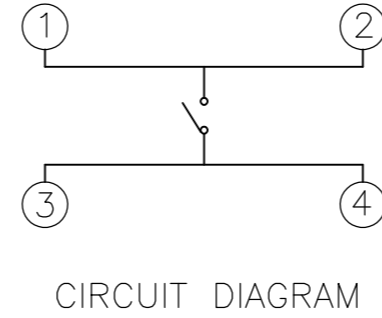
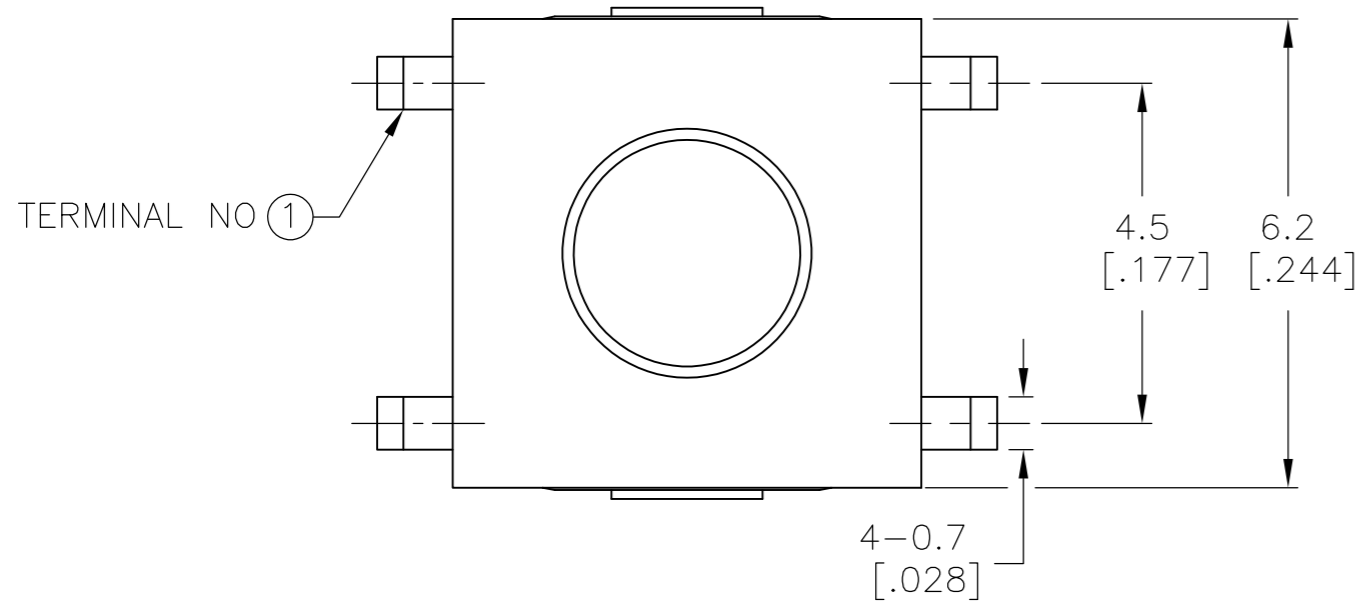
Tel: +86-755-8981 8866 Fax: +86-755-8427 6832

Email & Skype: info@chipsmall.com Web: www.chipsmall.com

Address: A1208, Overseas Decoration Building, #122 Zhenhua RD., Futian, Shenzhen, China



REVISIONS					
P	LTR	DESCRIPTION	DATE	DWN	APVD
C5		REVISED PER ECO-16-018632	05APR2017	SK	PO



P.C.B MOUNTING SOLDER LAND DIMENSION

SPECIFICATIONS:
 MATERIAL:
 HOUSING, THERMOPLASTIC, UL94-V0, BLACK
 ACTUATOR, THERMOPLASTIC, UL94-V0, COLOR SEE TABLE
 TERMINAL, COPPER ALLOY, PLATE- SILVER OVER NICKEL
 COVER, COPPER ALLOY, TIN PLATE
 CONTACT, STAINLESS STEEL, SILVER PLATE

ELECTRICAL:
 MAX CONTACT RATING: 50MILLIAMPS@24V DC
 MIN CONTACT RATING: 10MICROAMPS@1V DC
 INITIAL CONTACT RESISTANCE, 100 MILLIOHMS MAX, PER EIA-364-23B, EACH POSITION
 INSULATION RESISTANCE, 100 MEGOHM MIN. PER EIA-364-21C EACH POSITION
 DIELECTRIC STRENGTH, 500 V AC FOR 1 MINUTE, PER EIA-364-20B, CONDITION 1, EACH POSITION.
 CONTACT BOUNCE, 10 MILLISECOND MAX, PER EIA 448-1B, METHOD 15

MECHANICAL:
 ACTUATION FORCE, SEE TABLE
 ACTUATION TRAVEL, .25+/- .1 mm
 LIFE EXPECTANCY, SEE TABLE, VALUES GIVEN ARE MINIMUM, (2 CYCLES PER SECOND AND 150% ACTUATION FORCE), PER EIA-448 METHODS 8 & 9
 VIBRATION, PER EIA 364-28D, CONDITION VII, LEVEL E, DURATION 1.5 HOURS
 MECHANICAL SHOCK, PER EIA-364-27C, CONDITION A

ENVIRONMENTAL
 OPERATING TEMPERATURE, -35 TO +85 DEGREES C, PER EIA-448, METHOD 10 (2 CYCLES PER SECOND)
 STORAGE TEMPERATURE, -35 TO +85 DEGREES C
 HUMIDITY AND TEMPERATURE CYCLING PER EIA-364-31B, METHOD III
 THERMAL SHOCK, PER EIA-364-32C, -35 TO +85 DEGREES C
 SOLDERABILITY, PER EIA-364-52, CLASS 2, CATEGORY 1, TEMP, 245 DEGREES C MAX, TIME, 2.5 SECONDS MAX, 95% MINIMUM COVERAGE
 RESISTANCE TO SOLDER HEAT, PER 109-201 COND B.
 1. NO CHANGE IN INITIAL ELECTRICAL AND MECHANICAL CHARACTERISTICS

- NOTES:
 1. TAPE AND REEL PACKAGING PER EIA 481, TAPE WIDTH 12mm, PITCH 8.0mm, 3000 PER REEL
 2. ALL MATERIALS AND FINISHES SHALL COMPLY WITH EU DIRECTIVE 2002/95/EC OF 27JAN2003 (ROHS)

	COLOR	PACKAGING	CYCLE LIFE	FORCE	DIM L	PART NO.
	VIOLET	T&R	1,00,000	260±50gf	2.5mm	1-1571626-0
OBSOLETE	-VIOLET	BULK	1,00,000	260±50gf	2.5mm	1571626-9
	RED	T&R	1,000,000	160±50gf	2.0mm	1571626-8
OBSOLETE	-RED	BULK	1,000,000	160±50gf	2.0mm	1571626-7
	RED	T&R	1,000,000	160±50gf	2.5mm	1571626-6
OBSOLETE	-RED	BULK	1,000,000	160±50gf	2.5mm	1571626-5
	GREEN	T&R	1,000,000	100±50gf	2.5mm	1571626-4
	GREEN	BULK	1,000,000	100±50gf	2.5mm	1571626-3
	IVORY	T&R	1,000,000	50±30gf	2.5mm	1571626-2
OBSOLETE	-IVORY	BULK	1,000,000	50±30gf	2.5mm	1571626-1

THIS DRAWING IS A CONTROLLED DOCUMENT.		DWN M.BINNER 22SEP03																					
DIMENSIONS: mm [INCHES]		CHK M.SARVER 22SEP03																					
TOLERANCES UNLESS OTHERWISE SPECIFIED:		APVD M.SARVER 22SEP03	NAME																				
<table border="1"> <tr><td>0 PLC</td><td>±</td><td>-</td></tr> <tr><td>1 PLC</td><td>±</td><td>0.3</td></tr> <tr><td>2 PLC</td><td>±</td><td>-</td></tr> <tr><td>3 PLC</td><td>±</td><td>-</td></tr> <tr><td>4 PLC</td><td>±</td><td>-</td></tr> <tr><td>ANGLES</td><td>±</td><td>-</td></tr> </table>		0 PLC	±	-	1 PLC	±	0.3	2 PLC	±	-	3 PLC	±	-	4 PLC	±	-	ANGLES	±	-	PRODUCT SPEC	PUSHBUTTON SWITCH, 6X6 mm, SMT, GULL WING		
0 PLC	±	-																					
1 PLC	±	0.3																					
2 PLC	±	-																					
3 PLC	±	-																					
4 PLC	±	-																					
ANGLES	±	-																					
MATERIAL		FINISH	WEIGHT	0	RESTRICTED TO																		
SEE NOTES			CUSTOMER DRAWING	SCALE 10:1	SHEET 1 OF 1																		
				DRAWING NO. C=1571626	REV C5																		