



Chipsmall Limited consists of a professional team with an average of over 10 year of expertise in the distribution of electronic components. Based in Hongkong, we have already established firm and mutual-benefit business relationships with customers from,Europe,America and south Asia,supplying obsolete and hard-to-find components to meet their specific needs.

With the principle of "Quality Parts,Customers Priority,Honest Operation,and Considerate Service",our business mainly focus on the distribution of electronic components. Line cards we deal with include Microchip,ALPS,ROHM,Xilinx,Pulse,ON,Everlight and Freescale. Main products comprise IC,Modules,Potentiometer,IC Socket,Relay,Connector.Our parts cover such applications as commercial,industrial, and automotives areas.

We are looking forward to setting up business relationship with you and hope to provide you with the best service and solution. Let us make a better world for our industry!



Contact us

Tel: +86-755-8981 8866 Fax: +86-755-8427 6832

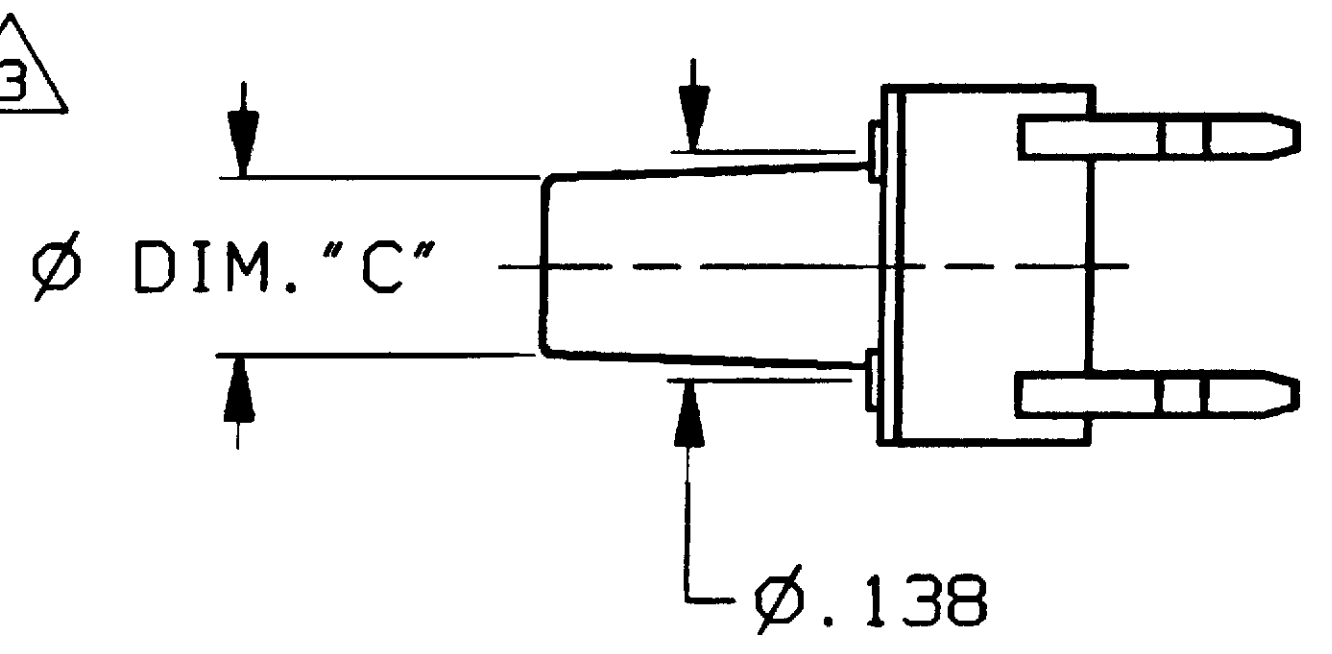
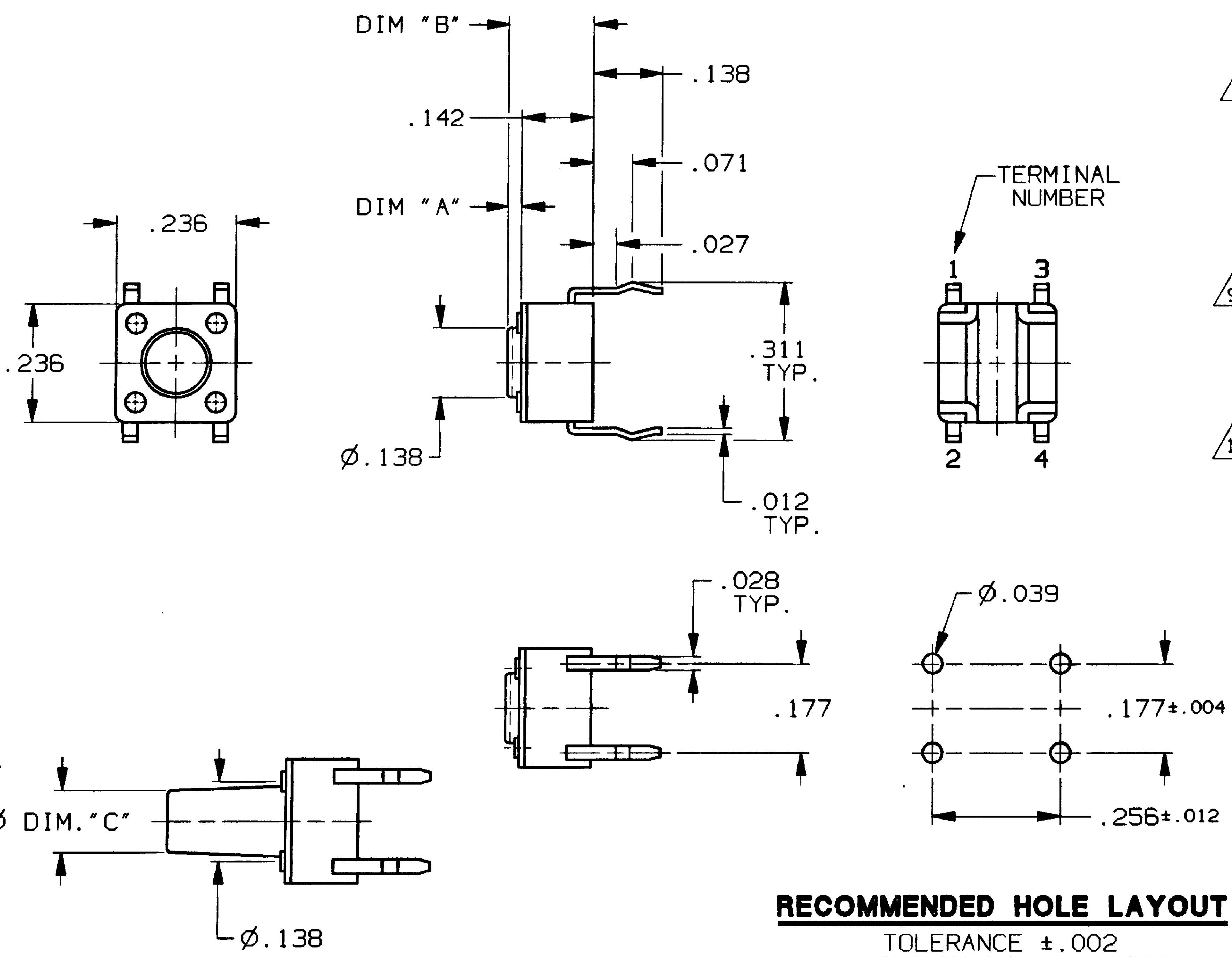
Email & Skype: info@chipsmall.com Web: www.chipsmall.com

Address: A1208, Overseas Decoration Building, #122 Zhenhua RD., Futian, Shenzhen, China



CONVERSION CHART			
INCH	MM	INCH	MM
.001	0.02	.196	5.00
.002	0.05	.232	5.90
.004	0.10	.236	6.00
.006	0.15	.256	6.50
.008	0.20	.276	7.00
.010	0.25	.287	7.30
.012	0.30	.311	7.90
.027	0.71	.315	8.00
.028	0.70	.335	8.51
.039	1.00	.370	9.40
.055	1.40	.374	9.50
.071	1.80	.512	13.00
.110	2.80	.527	13.40
.118	3.00	.699	17.00
.122	3.10		
.126	3.20		
.128	3.25		
.130	3.30		
.134	3.40		
.138	3.50		
.142	3.60		
.146	3.70		
.173	4.40		
.177	4.50		
.193	4.90		

1 7



VIEW A-A
FSM6J THRU FSM18J

RECOMMENDED HOLE LAYOUT
TOLERANCE ± .002
UNLESS OTHERWISE NOTED

SPECIFICATIONS:

MATERIALS:
CASE: POLYAMIDE, BLACK.
COVER: POLYESTER.

ELECTRICAL:
CONTACT RATING: 50mA @ 12 VDC.
INITIAL CONTACT RESISTANCE: 100 MILLIOHMS MAX.
INSULATION RESISTANCE: 100 MEGOHMS @ 100 VDC MIN.
DIELECTRIC STRENGTH: 250 VAC
LIFE EXPECTANCY:
ON-OFF ELECTRICAL SWITCHING OPERATIONS, 60 CYCLES PER MINUTE, EXCEEDING 100,000 (OPERATIONS) AT THE RATED CURRENT AT A DEPRESSION FORCE NOT EXCEEDING 250 GRAMS, EXCEPT 50,000 CYCLES FOR "AA" OPTION.

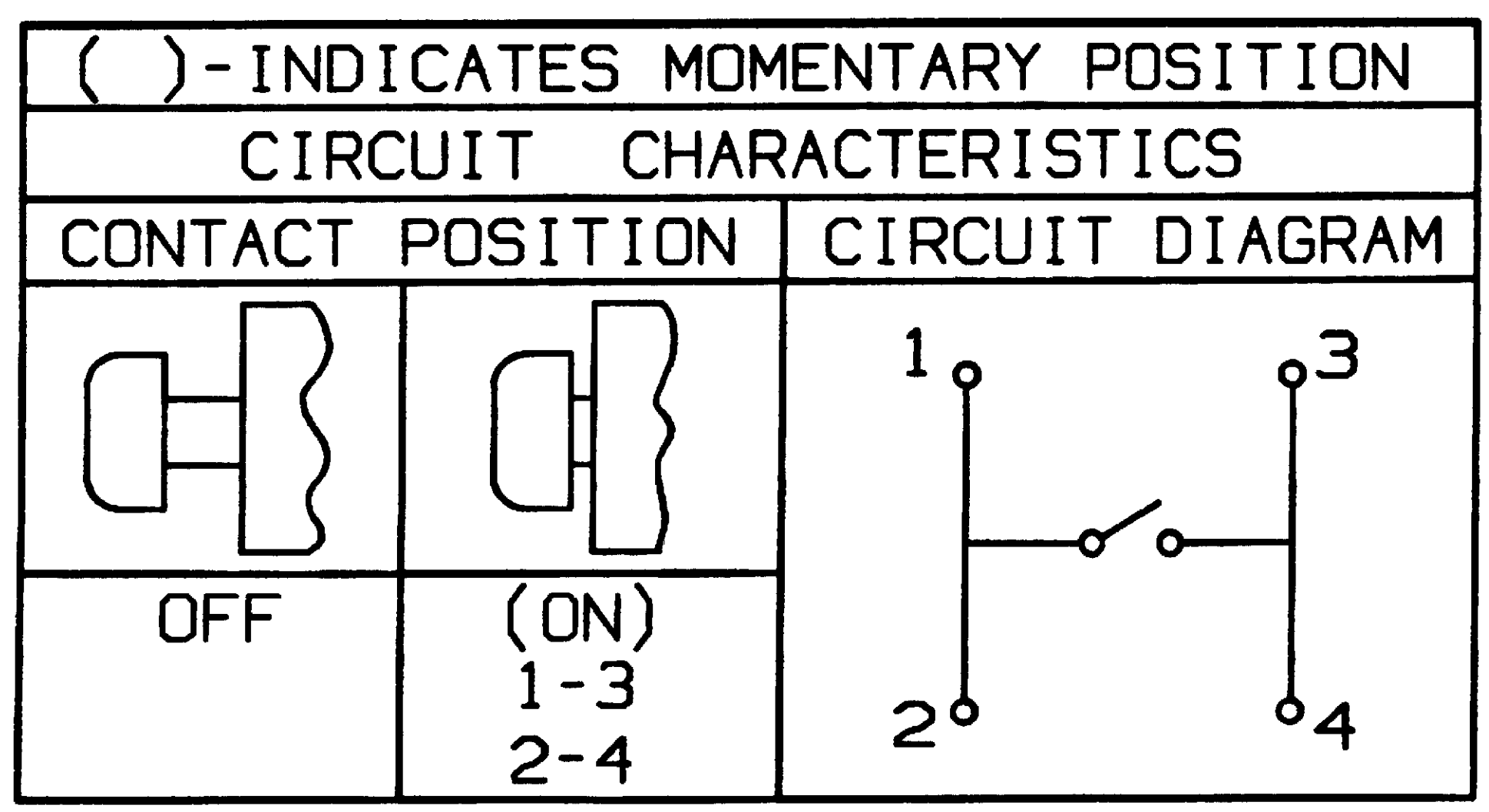
MECHANICAL:
ACTUATION FORCE: SEE TABLE.
ACTUATION TRAVEL: .010" +.010/- .004.
SOLDER HEAT RESISTANCE: THROUGH 500°F PER MIL-STD-202 METHOD 210.

ENVIRONMENTAL:
OPERATING TEMPERATURE: -4°F TO +158°F (-20°C TO +70°C).
STORAGE TEMPERATURE: -22°F TO +176°F (-30°C TO +80°C).

NOTES:

1. INTERPRET DRAWING PER ASME Y14.5M-1994.

(* =)	ACTUATION FORCE	ACTUATOR BUTTON COLOR
(BLANK)	100 TO 350g	SEE BELOW
L	50 TO 150g	BROWN
A	160 TO 400g	RED
AA	370 TO 620g	LIGHT BLUE



MODEL No.	DIMENSION A	DIMENSION B	DIM C	ACTUATOR BUTTON COLOR	ACTUATOR BUTTON MATERIAL
FSM2J*	.028	.169	N/A	BLACK	POLYESTER
FSM4J*	.055	.196	N/A	BLACK	POLYESTER
FSM6J*	.134	.276	.130	BLUE	ACETAL
FSM8J*	.232	.374	.122	BLACK	ACETAL
FSM10J*	.146	.287	.128	IVORY	ACETAL
FSM12J*	.173	.315	.126	WHITE	ACETAL
FSM14J*	.370	.512	.118	BLACK	ACETAL
FSM16J*	.527	.669	.110	BLACK	ACETAL
FSM18J*	.193	.335	.122	BLACK	ACETAL

OUTLINE DRAWING
SPECIFICATIONS ARE SUBJECT TO CHANGES WITHOUT NOTICE

THIS IS A C.A.D. GENERATED DRAWING.
DO NOT MAKE MANUAL REVISIONS TO MASTER.

REV	REVISIONS
0	INITIAL RELEASE ESR # 4528 CMM. 12-29-93 APP'D: J. SYLVIA 12-30-93
1	REVISED ECO# 357-94 TRU-D 5-30-94 APP'D: M.P. 5-31-94
2	REVISED ECO# 503-94 L.S. 6-28-94 APP'D: D. SARKISIAN
3	REVISED ECO# 736-94 TRU-D 9-15-94 APP'D: D.S. 9-19-94
4	REVISED ECO# 198-95 L.S. 4-22-95 APP'D:
5	REVISED ECO# 392-95 K.W. 7-6-95 APP'D: D.S. 7/13/95
6	REVISED ECO# 554-95 T.D. 8-28-95 APP'D: D. SARKISIAN 9-17-95
7	REVISED ECO# 784-95 C.A.T. 10-26-95 APP'D: B. MONTAGUE 10-30-95
8	REVISED ECO# 13-96 C.A.T. 1-25-96 APP'D: W. MONTAGUE 1-25-96
9	REVISED ECO# 126-96 C.A.T. 3-15-96 APP'D: W. MONTAGUE 3-20-96
10	REVISED ECO# 283-96 S. KIRCORIAN 5-7-96 APP'D: <i>[Signature]</i> 5-24-96

 THIRD ANGLE PROJECTION TOLERANCES (EXCEPT AS NOTED) ANGULAR = ±1° DECIMAL .XX = DECIMAL .XXX = ±.012 DECIMAL .XXXX = AUGAT CONFIDENTIAL This document contains information which is the exclusive property of Augat Inc. Distribution, reproduction or use by others is not permitted without the expressed written consent of Augat Inc.	UNLESS OTHERWISE SPECIFIED DIMENSIONS ARE IN INCHES DO NOT SCALE PRINT	ORIGINAL DATE OF DRAWING: 12-29-93		
	FILE NAME: 81075OUT	DIRECTORY: PSHSWTCH	DRAWN: C. MORAN	DATE: 12-29-93
	MATERIAL: SEE SPECIFICATIONS	APPROVED: J. SYLVIA	DATE: 12-30-93	
	FINISH: SEE SPECIFICATIONS	CODE IDENT. NO. 91506	DWG. SIZE C	
NEXT ASSY:		SCALE: SHEET 1 OF 1		

AUGAT INC. 452 JOHN DIETSCH BLVD. ATTLEBORO FALLS, MASS. 02763

TITLE: **OUTLINE DRAWING**
MICRO-MINIATURE
PUSHBUTTON SWITCH
FSM2J Thru FSM18J

DWG. NO. 81075-SD

REV. 10

PRODUCT CODE: B18