



Chipsmall Limited consists of a professional team with an average of over 10 year of expertise in the distribution of electronic components. Based in Hongkong, we have already established firm and mutual-benefit business relationships with customers from,Europe,America and south Asia,supplying obsolete and hard-to-find components to meet their specific needs.

With the principle of "Quality Parts,Customers Priority,Honest Operation,and Considerate Service",our business mainly focus on the distribution of electronic components. Line cards we deal with include Microchip,ALPS,ROHM,Xilinx,Pulse,ON,Everlight and Freescale. Main products comprise IC,Modules,Potentiometer,IC Socket,Relay,Connector.Our parts cover such applications as commercial,industrial, and automotives areas.

We are looking forward to setting up business relationship with you and hope to provide you with the best service and solution. Let us make a better world for our industry!



Contact us

Tel: +86-755-8981 8866 Fax: +86-755-8427 6832

Email & Skype: info@chipsmall.com Web: www.chipsmall.com

Address: A1208, Overseas Decoration Building, #122 Zhenhua RD., Futian, Shenzhen, China



THIS DRAWING IS UNPUBLISHED. RELEASED FOR PUBLICATION
 © COPYRIGHT - By - ALL RIGHTS RESERVED.

LOC		DIST		REVISIONS			
P	LTR	DESCRIPTION	DATE	DWN	APVD		
AD	00						
	P3	REVISED PER ECO-12-012308	04OCT12	KH	OP		

SPECIFICATIONS:

MATERIALS:
 CASE: PBT UL94HB, BLACK.
 COVER: STEEL ,TIN PLATE.
 ACTUATOR BUTTON: SEE P/N TABLE.
 MOVING CONTACT: PHOS BRONZE, SILVER.
 FIXED CONTACT/TERMINAL: BRASS, SILVER OVER NICKEL.

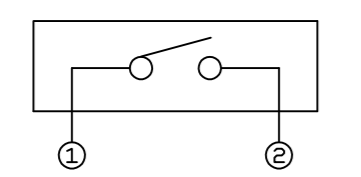
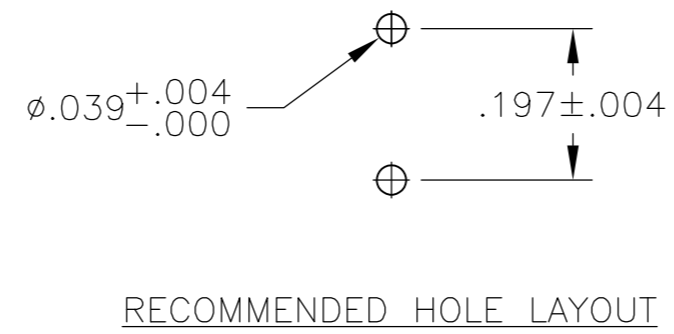
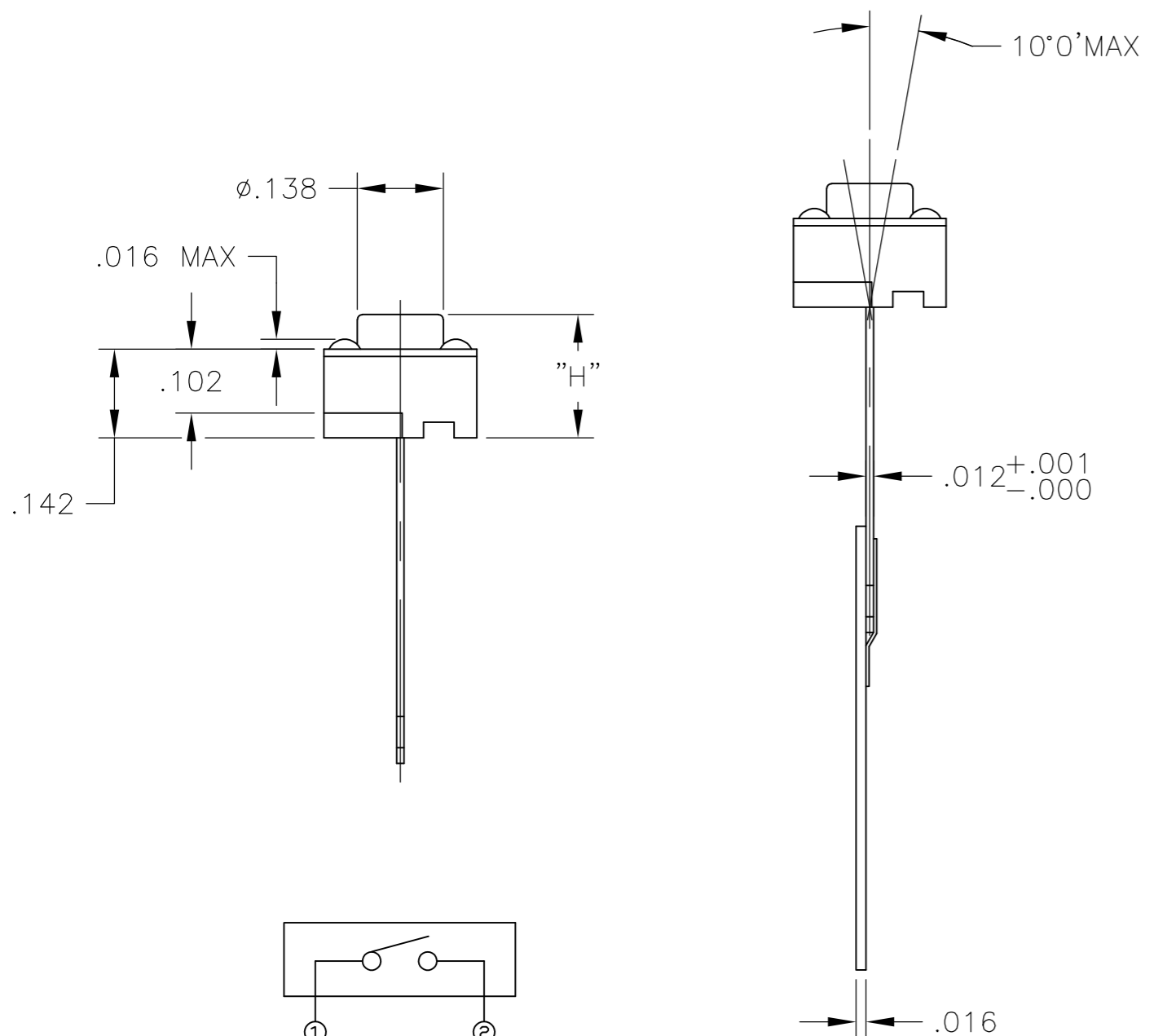
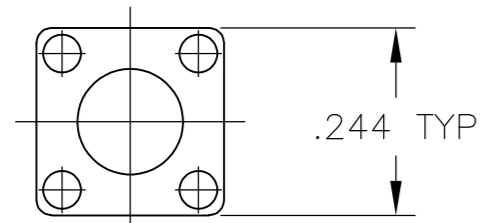
ELECTRICAL:
 MAX CONTACT RATING: 50MILLIAMPS@24V DC
 MIN CONTACT RATING: 10MICROAMPS@1V DC
 CONTACT RESISTANCE: 100 MILLIOHMS MAX.
 INSULATION RESISTANCE: 100 MEGOHMS MIN. @ 100 VDC.
 DIELECTRIC STRENGTH: 500 VAC 50/60 Hz FOR 1 MINUTE
 LIFE EXPECTANCY: 100,000 CYCLES.

MECHANICAL:
 ACTUATION FORCE: SEE P/N TABLE.
 ACTUATION TRAVEL: .010 IN, (0.25 mm) APPROX.

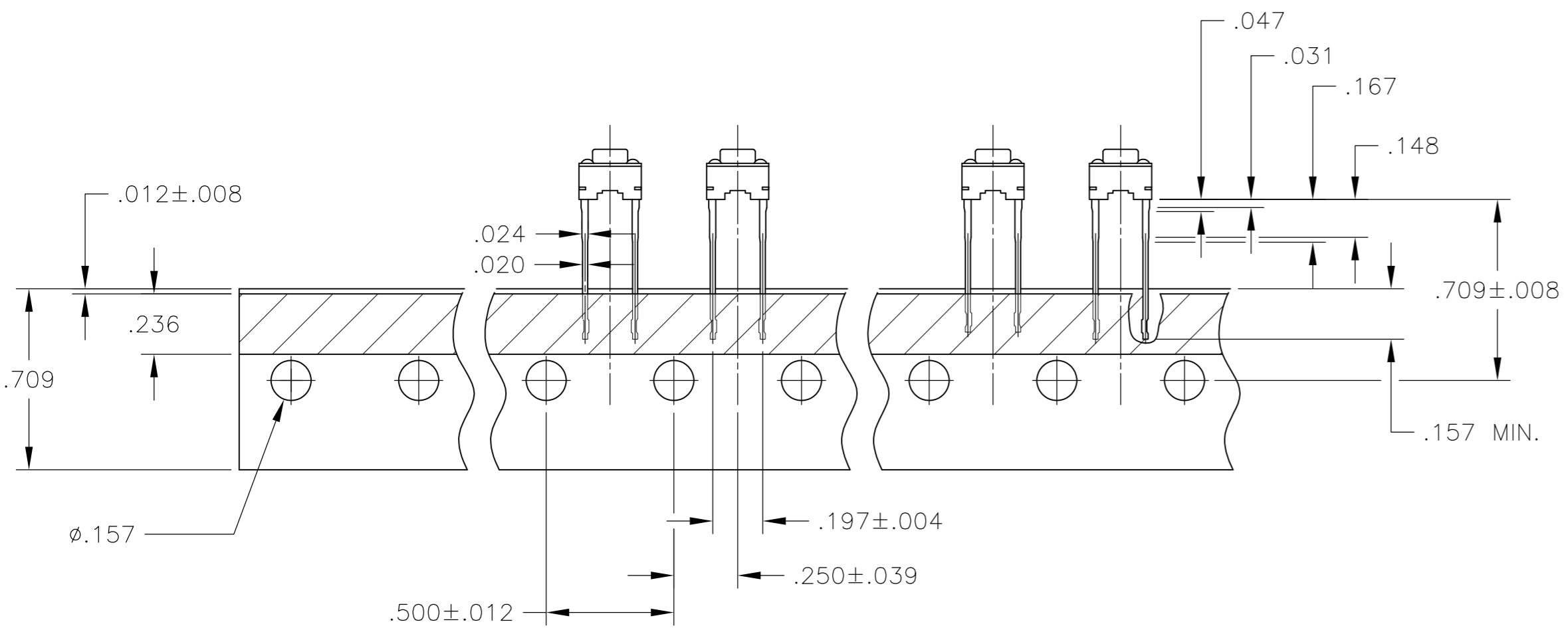
ENVIRONMENTAL:
 OPERATING TEMPERATURE: -35°C TO +105°C
 STORAGE TEMPERATURE: -35°C TO +85°C

SOLDERABILITY:
 SOLDERABILITY EIA-364-52,CLASS 1,CATEGORY 2
 SOLDER HEAT RESISTANCE PER 109-202 CONDITION B

- 1 ALL MATERIALS AND FINISHES SHALL COMPLY WITH EU DIRECTIVE 2002/95/EC OF 27JAN2003 (ROHS)
- 2 RADIAL TAPE PACKAGING PER AUGAT SPEC.#295.
- 3 SPECIFICATIONS SUBJECT TO CHANGE WITHOUT NOTIFICATION.



CIRCUIT DIAGRAM



100 +/-50 grams	Nylon 66	BROWN	.197 (5.0)	FSM4JBRT	1571010-2
160 +/-50 grams	Nylon 66	BLACK	.512 (13.0)	FSM14JRT	1571010-1
260 +/-50 grams	PBT	RED	.374 (9.5)	FSM8JART	147871-1
160 +/-50 grams	PBT	BLACK	.374 (9.5)	FSM8JRT	147694-1
260 +/-50 grams	Nylon 66	RED	.276 (7.0)	FSM6JART	1571402-1
OBSOLETE 160 +/-50 grams	Nylon 66	BLUE	.276 (7.0)	FSM6JRT	4-1437565-8
260 +/-50 grams	PBT	RED	.197 (5.0)	FSM4JART	147997-1
160 +/-50 grams	Nylon 66	BLACK	.197 (5.0)	FSM4JRT	4-1437565-0
160 +/-50 grams	PBT	NATURAL	0.169 (4.3)	FSM2JRT	2-1437565-6
260 +/-50 grams	PBT	RED	0.169 (4.3)	FSM2JART	2-1437565-2
ACTUATION FORCE	ACTUATOR MATERIAL	ACTUATOR COLOR	DIM H	T&B P/N	PART NUMBER

THIS DRAWING IS A CONTROLLED DOCUMENT.		DWN	M.BINNER	29SEP05	
DIMENSIONS: INCHES		CHK	M.SARVER	29SEP05	
TOLERANCES UNLESS OTHERWISE SPECIFIED:		APVD	M.SARVER	29SEP05	
0 PLC ± - 1 PLC ± - 2 PLC ± - 3 PLC ± .012 4 PLC ± - ANGLES ± 1°		PRODUCT SPEC	NAME		
MATERIAL	SEE SPECIFICATIONS	FINISH	SEE SPECIFICATIONS	WEIGHT	-
CUSTOMER DRAWING		SCALE	4:1	SHEET	1 of 1
		REV	P3		

2-1437565-2

A