



Chipsmall Limited consists of a professional team with an average of over 10 year of expertise in the distribution of electronic components. Based in Hongkong, we have already established firm and mutual-benefit business relationships with customers from,Europe,America and south Asia,supplying obsolete and hard-to-find components to meet their specific needs.

With the principle of “Quality Parts,Customers Priority,Honest Operation,and Considerate Service”,our business mainly focus on the distribution of electronic components. Line cards we deal with include Microchip,ALPS,ROHM,Xilinx,Pulse,ON,Everlight and Freescale. Main products comprise IC,Modules,Potentiometer,IC Socket,Relay,Connector.Our parts cover such applications as commercial,industrial, and automotives areas.

We are looking forward to setting up business relationship with you and hope to provide you with the best service and solution. Let us make a better world for our industry!



## Contact us

Tel: +86-755-8981 8866 Fax: +86-755-8427 6832

Email & Skype: [info@chipsmall.com](mailto:info@chipsmall.com) Web: [www.chipsmall.com](http://www.chipsmall.com)

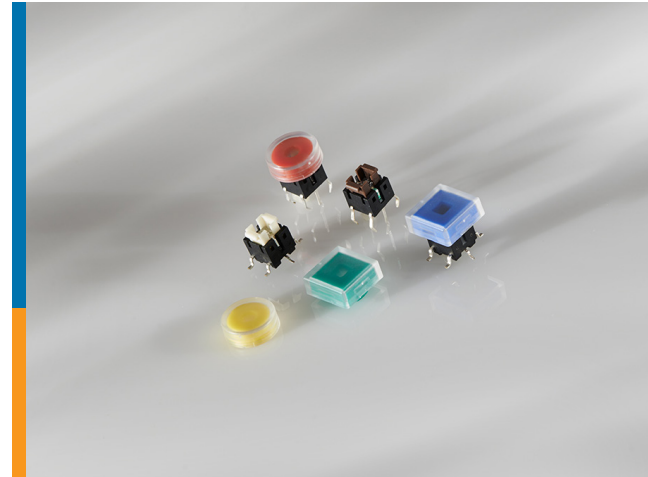
Address: A1208, Overseas Decoration Building, #122 Zhenhua RD., Futian, Shenzhen, China



# ALCOSWITCH ILLUMINATED TACTILE SWITCH SERIES

## With Tactile Cap Series

The new ALCOSWITCH Illuminated Tactile switch series is designed for easy operation and reliability in a variety of board mounted applications. The tactile switch includes an LED indicator, available in low and high intensity versions, and 8 unique color options. Rated up to 500,000 electrical lifecycles, the Illuminated Tactile series is designed to last. We offer the translucent caps in two different styles and in five different colors.



## Applications

The illuminated tactile switch is well suited for designs requiring illuminated interfaces via pushbutton style switches including:

- Industrial equipment
- Building Automation / HVAC equipment
- Instrumentation
- Communication equipment
- Control equipment

## Electrical

- Electrical life (pushbutton only):
  - 100/160 GF (grams-force): 500,000 cycles
  - 260/520 GF (grams-force): 200,000 cycles

## Mechanical

- Number of poles: 1
- Switch Functions: OFF-(ON)
- Contact Rating: 50 mA @ 12 VDC

## Product Specifications

- RoHS Directive 2002/95/E compliant
- REACH Compliant and Pb Free

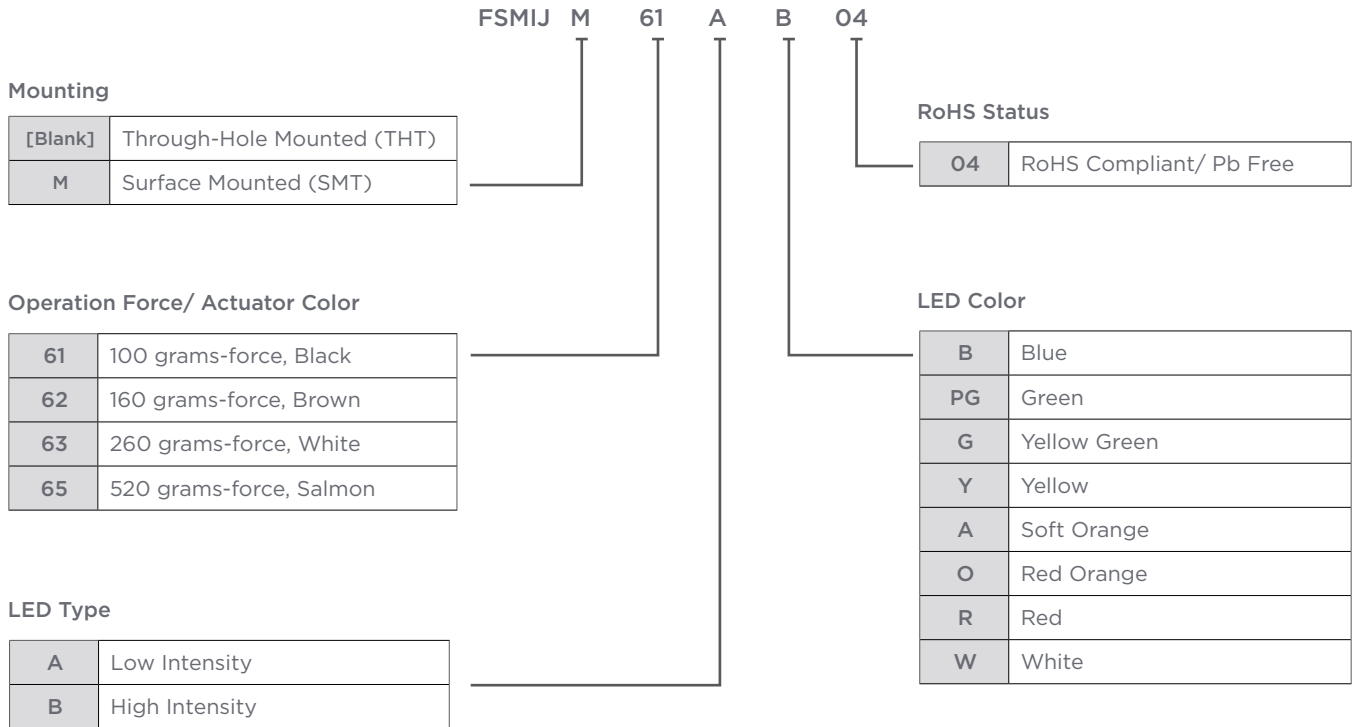
## Materials

- Contacts: Stainless Steel, Silver plated
- Actuator: High temperature Thermoplastic (UL94-V0)
- Terminals: Brass, Silver Plated
- Case: High temperature Thermoplastic (UL94-V0)

## Key Benefits

- Durability with switches rated up to 500,000 electrical life cycles
- Achieve design flexibility with low or high intensity LED indicators available in 8 color options
- Save board space with integrated super-bright LED
- Faster board assembly with reflow or wave solder compatible designs
- Enable ease of use with tactile and audible feedback
- Designed to fit your specific application with a wide range of actuation forces available
- Caps enhance the size of the illumination
- Caps offer an easy type of actuation of the existing switch

Product Key



For additional product information, including drawings, customer viewable models, and distributor inventory, please visit [TE.com](http://TE.com). Use the Product Key to determine the desired part configuration, or reference the below Part Selection table.

Product Selection Information

Descriptive PN	Body Style	LED Intensity	LED color	TE PN
FSMIJ61AB04	Illuminated 6x6 Tact, THT	LI	Blue	<a href="#">2213818-1</a>
FSMIJ62AG04	Illuminated 6x6 Tact, THT	LI	Yellow Green	<a href="#">1-2213818-9</a>
FSMIJ63AR04	Illuminated 6x6 Tact, THT	HI	Soft Orange	<a href="#">3-2213818-9</a>
FSMIJ65AB04	Illuminated 6x6 Tact, THT	LI	Blue	<a href="#">4-2213818-9</a>
FSMIJM61AB04	Illuminated 6x6 Tact, SMT	LI	Blue	<a href="#">2213819-1</a>
FSMIJM62BB04	Illuminated 6x6 Tact, SMT	HI	Blue	<a href="#">2-2213819-5</a>
FSMIJM63BB04	Illuminated 6x6 Tact, SMT	HI	Blue	<a href="#">4-2213819-1</a>
FSMIJM65AR04	Illuminated 6x6 Tact, SMT	LI	Red	<a href="#">5-2213819-5</a>
FSMIJ61ASPG04	Illuminated 6x6 Tact, SMT	HI	Pure Green	<a href="#">2213818-2</a>
FSMIJ61AW04	Illuminated 6x6 Tact, SMT	HI	Yellow	<a href="#">2213818-8</a>
FSMIJ61AO04	Illuminated 6x6 Tact, SMT	HI	Red Orange	<a href="#">2213818-6</a>
FSMIJ61AY04	Illuminated 6x6 Tact, SMT	HI	Cold White	<a href="#">2213818-4</a>

LI = low intensity  
HI = high intensity

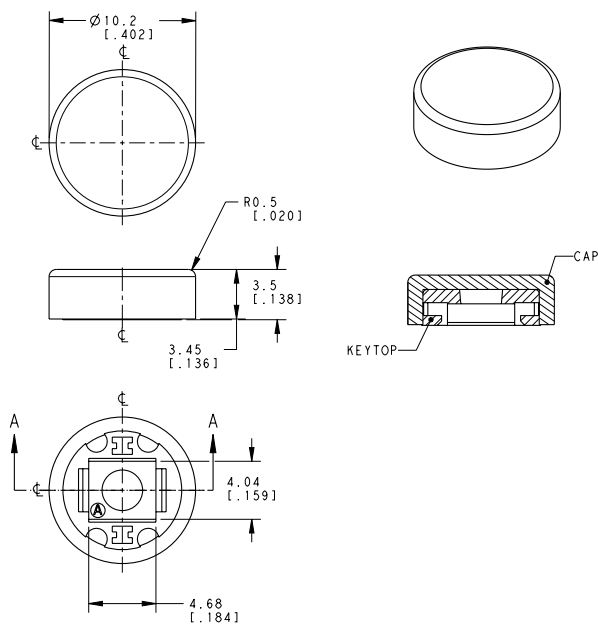


Product Selection Information

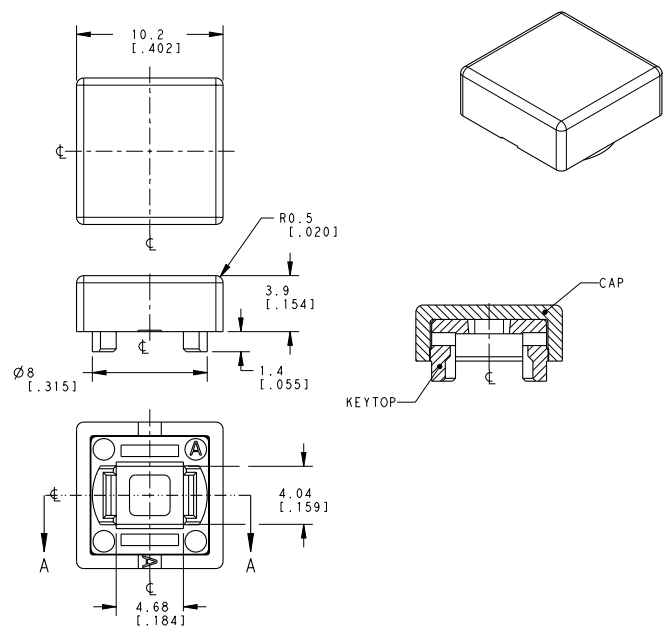
Switch LED Color	Cap Style	Recommended Cap Color	TE PN Round Cap	TE PN Square Cap
Blue		Blue	<a href="#">2311402-4</a>	<a href="#">2311403-4</a>
Pure Green		Green	<a href="#">2311402-1</a>	<a href="#">2311403-1</a>
Yellow Green		Yellow	<a href="#">2311402-5</a>	<a href="#">2311403-5</a>
Yellow Green		Green	<a href="#">2311402-1</a>	<a href="#">2311403-1</a>
Yellow		Yellow	<a href="#">2311402-5</a>	<a href="#">2311403-5</a>
Soft Orange		Red	<a href="#">2311402-3</a>	<a href="#">2311403-3</a>
Red Orange		Red	<a href="#">2311402-3</a>	<a href="#">2311403-3</a>
Red		Red	<a href="#">2311402-3</a>	<a href="#">2311403-3</a>
Cold White		Black	<a href="#">2311402-2</a>	<a href="#">2311403-2</a>

The tactile cap series is sold separately

Part Number 2311402



Part Number 2311403



**te.com**

© 2017 TE Connectivity Ltd. Family of Companies. All Rights Reserved. ALCOSWITCH, TE, TE Connectivity, and the TE connectivity (logo) are trademarks of the TE Connectivity Ltd. family of companies. Other logos, product and Company names mentioned herein may be trademarks of their respective owners.  
1-1773878-5 BH 1/2017

USA: +1 (800) 522-6752  
Canada: +1 (905) 475-6222  
Mexico: +52 (0) 55-1106-0800  
Latin/S. America: +54 (0) 11-4733-2200  
Germany: +49 (0) 6251-133-1999

UK: +44 (0) 800-267666  
France: +33 (0) 1-3420-8686  
The Netherlands: +31 (0) 73-6246-999  
China: +86 (0) 400-820-6015

