



Chipsmall Limited consists of a professional team with an average of over 10 year of expertise in the distribution of electronic components. Based in Hongkong, we have already established firm and mutual-benefit business relationships with customers from,Europe,America and south Asia,supplying obsolete and hard-to-find components to meet their specific needs.

With the principle of “Quality Parts,Customers Priority,Honest Operation,and Considerate Service”,our business mainly focus on the distribution of electronic components. Line cards we deal with include Microchip,ALPS,ROHM,Xilinx,Pulse,ON,Everlight and Freescale. Main products comprise IC,Modules,Potentiometer,IC Socket,Relay,Connector.Our parts cover such applications as commercial,industrial, and automotives areas.

We are looking forward to setting up business relationship with you and hope to provide you with the best service and solution. Let us make a better world for our industry!



Contact us

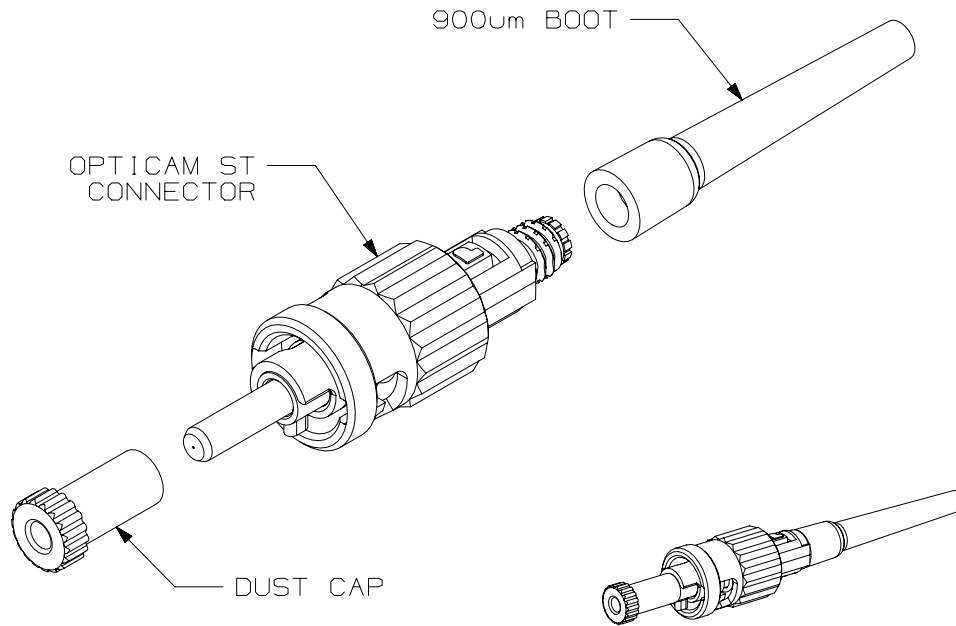
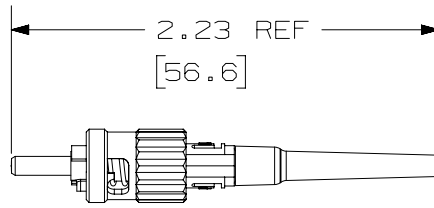
Tel: +86-755-8981 8866 Fax: +86-755-8427 6832

Email & Skype: info@chipsmall.com Web: www.chipsmall.com

Address: A1208, Overseas Decoration Building, #122 Zhenhua RD., Futian, Shenzhen, China



THIS COPY IS PROVIDED ON A RESTRICTED BASIS AND IS NOT TO BE USED IN ANY WAY DETRIMENTAL TO THE INTERESTS OF PANDUIT CORP.



PANDUIT PART NUMBER	FIBER TYPE	FERRULE TYPE
FSTMC5BL	50/125um MULTIMODE	ZIRCONIA
FSTMC6BL	62.5/125um MULTIMODE	ZIRCONIA
FSTMCXAQ	50/125um MULTIMODE	ZIRCONIA
FTSVCBU	9/125um SINGLEMODE	ZIRCONIA
FSTMPC5BL	50/125um MULTIMODE	POLYMER
FSTMPC6BL	62.5/125um MULTIMODE	POLYMER

NOTES:

- SEE CATALOG FOR ADDITIONAL PART NUMBER SUFFIXES TO INDICATE COLOR AND/OR PACKAGE QUANTITY
- ACCEPTS 50/125um, 62.5/125um, 50/125 OM3 MULTIMODE OR 9/125um SINGLEMODE, 900um BUFFERED GLASS OPTICAL FIBER.
- FULLY COMPLIES WITH THE FIBER OPTIC CONNECTOR PERFORMANCE REQUIREMENTS AS SPECIFIED BY TIA/EIA-568-B.3.
- MATERIAL:
 BODY/HARDWARE: PLASTIC
 BOOT: THERMOPLASTIC RUBBER
 FERRULE: ZIRCONIA CERAMIC OR POLYMER
- DIMENSIONS IN [] ARE METRIC [mm].
- 1.6/2.0mm AND 3.0mm BOOT ASSEMBLIES ARE AVAILABLE SEPARATELY.

PART NUMBER FSTMC5BL, FSTMC6BL, FSTMCXAQ, FTSVCBU, FSTMPC5BL, FSTMPC6BL		PANDUIT
TITLE OPTICAM ST CONNECTOR CUSTOMER DRAWING		
ITEM REVISION NAME M01894AJ/01	DATASET FILE NAME M01894AJ_DC/01C	
UNLESS OTHERWISE SPECIFIED, DIMENSIONAL TOLERANCES ARE: IN [mm] .X ± .XXX ± .XX ± ANGLES ±		MATERIAL:
THIRD ANGLE PROJECTION		DRAWING NUMBER: 01894-17
DRAWN BY MC	DATE 5-25-06	CHK MMW
SCALE NONE		SIZE A

REV	DATE	BY	CHK	APR	DESCRIPTION	ECN
5	6/12/15	JSP	WJM	JGSW	A. REVISED DRAWING TITEL BLOCK.	01894-17

D10100DA/14