



Chipsmall Limited consists of a professional team with an average of over 10 year of expertise in the distribution of electronic components. Based in Hongkong, we have already established firm and mutual-benefit business relationships with customers from,Europe,America and south Asia,supplying obsolete and hard-to-find components to meet their specific needs.

With the principle of “Quality Parts,Customers Priority,Honest Operation,and Considerate Service”,our business mainly focus on the distribution of electronic components. Line cards we deal with include Microchip,ALPS,ROHM,Xilinx,Pulse,ON,Everlight and Freescale. Main products comprise IC,Modules,Potentiometer,IC Socket,Relay,Connector.Our parts cover such applications as commercial,industrial, and automotives areas.

We are looking forward to setting up business relationship with you and hope to provide you with the best service and solution. Let us make a better world for our industry!



Contact us

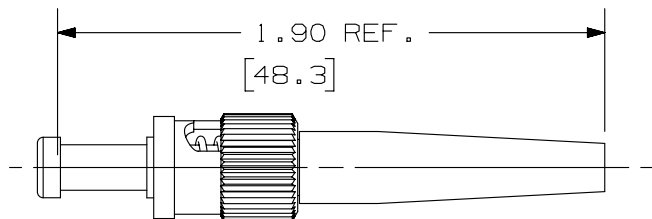
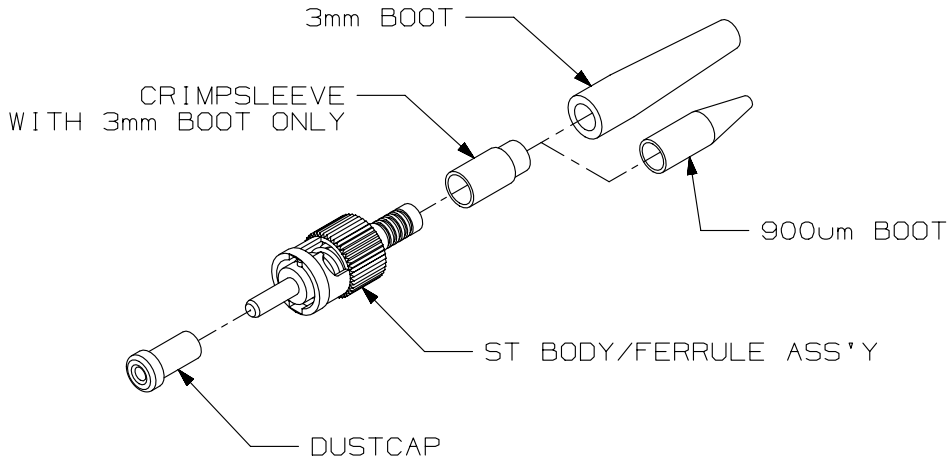
Tel: +86-755-8981 8866 Fax: +86-755-8427 6832

Email & Skype: info@chipsmall.com Web: www.chipsmall.com

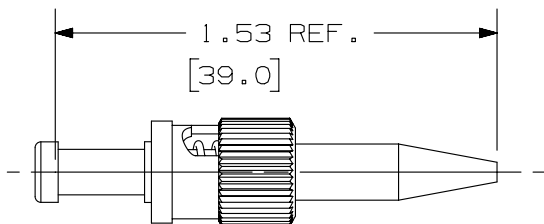
Address: A1208, Overseas Decoration Building, #122 Zhenhua RD., Futian, Shenzhen, China



THIS COPY IS PROVIDED ON A RESTRICTED BASIS AND IS NOT TO BE USED IN ANY WAY DETRIMENTAL TO THE INTERESTS OF PANDUIT CORP.



ST CONNECTOR WITH 3mm BOOT
(DUSTCAP REMOVED)



ST CONNECTOR WITH 900um BOOT
(DUSTCAP REMOVED)

PANDUIT P/N	WEIGHT
FSTSA**	1.00 lb/100 PCS [454.54g/100 PCS]

NOTES:

- SEE CURRENT CATALOG FOR ADDITIONAL PART NUMBER SUFFIXES TO INDICATE COLOR AND/OR PACKAGE QUANTITY.
- ACCEPTS 9/125um SINGLEMODE GLASS OPTICAL FIBER CABLE.
- MATERIALS:
CONNECTOR BODY/HARDWARE: NICKEL-PLATED ZINC
BOOT: THERMOPLASTIC RUBBER
FERRULE: ZIRCONIA (CERAMIC)
- COMPLIES WITH THE FIBER OPTIC PERFORMANCE REQUIREMENTS AS SPECIFIED BY TIA/EIA-568-B.3
- COMPATIBLE WITH TIA-EIA-604-2 (FOCIS-2)
- FERRULE DIAMETER: 2.4985/2.4995mm.
- DIMENSIONS IN BRACKETS ARE METRIC [mm].

PART NUMBER		FSTSA**	
TITLE			
ST SIMPLEX SINGLEMODE CONNECTOR		CUSTOMER DRAWING	
ITEM REVISION NAME		M01197BE/00	PANDUIT
DATASET FILE NAME		M01197BE_DC/01B	
UNLESS OTHERWISE SPECIFIED, DIMENSIONAL TOLERANCES ARE: IN [mm]		MATERIAL:	
.x ±	.xxx ± .010 [.3]	DRAWING NUMBER: 01197-07	
.xx ± .03 [.8]	ANGLES ±		
THIRD ANGLE PROJECTION		DRAWING NUMBER: 01197-07	
DRAWN BY	DATE	CHK	SCALE
EFK	12-03-01	MMW	NONE
REV		SHT 1 OF 1	
DATE		A	

REV	DATE	BY	CHK	APR	DESCRIPTION	ECN
3	2/13/15	JSP	WJM	RWB	A. UPDATED DRAWING TITLE BLOCK.	01197-07

D10100DA/14