



Chipsmall Limited consists of a professional team with an average of over 10 year of expertise in the distribution of electronic components. Based in Hongkong, we have already established firm and mutual-benefit business relationships with customers from,Europe,America and south Asia,supplying obsolete and hard-to-find components to meet their specific needs.

With the principle of “Quality Parts,Customers Priority,Honest Operation,and Considerate Service”,our business mainly focus on the distribution of electronic components. Line cards we deal with include Microchip,ALPS,ROHM,Xilinx,Pulse,ON,Everlight and Freescale. Main products comprise IC,Modules,Potentiometer,IC Socket,Relay,Connector.Our parts cover such applications as commercial,industrial, and automotives areas.

We are looking forward to setting up business relationship with you and hope to provide you with the best service and solution. Let us make a better world for our industry!



## Contact us

Tel: +86-755-8981 8866 Fax: +86-755-8427 6832

Email & Skype: info@chipsmall.com Web: www.chipsmall.com

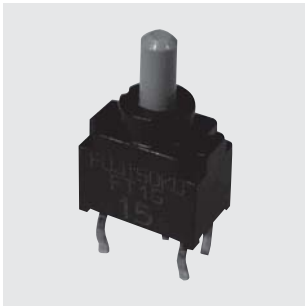
Address: A1208, Overseas Decoration Building, #122 Zhenhua RD., Futian, Shenzhen, China



# FT

- Terminal Pins : Kinked
- Actuator Color : Yellow

Washable



## Ultra-Miniature Toggle Switch

RoHS Compliant

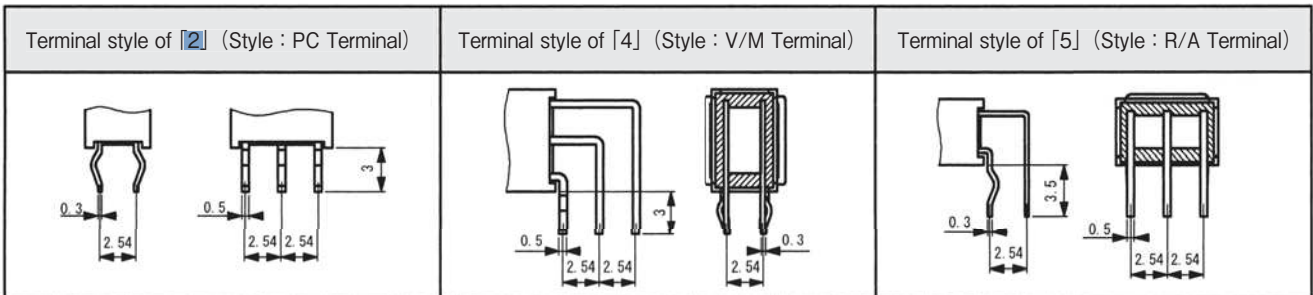
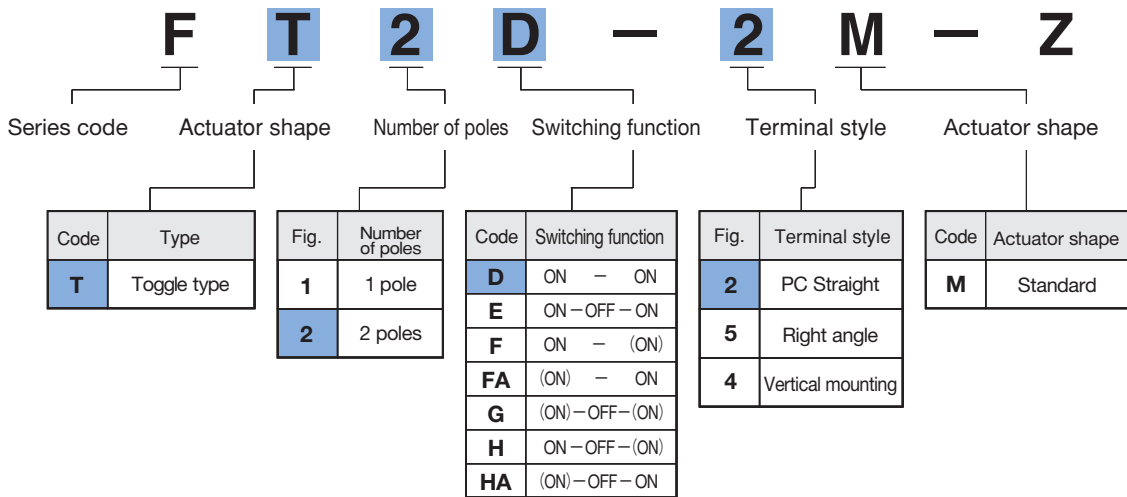
### Features

- Ultra-miniature toggle switch for high density mounting.
- Washable.
- Terminal pin pitch : 2.54 mm.
- Independent detent mechanism ensures light operational feel.
- Clip contact mechanism for long-term contact reliability.
- Gold-plated contacts.

### Specifications

Rating	Max.	28VDC 0.4VA max.
	Min.	1μ A 20mVDC
Initial contact resistance	100mΩ max. (1.5mA 200μ VAC)	
Dielectric strength	250VAC 1 minute	
Insulation resistance	500MΩ min. (250VDC)	
Electrical life	10,000 cycles at max. rating 50,000 cycles at min. rating (D,E type) 30,000 cycles at min. rating (F,G,H type)	
Operating temperature range	-40°C ~ +85°C	
Storage temperature range	-40°C ~ +85°C	

### Part Numbering



(ON) : Momentary.

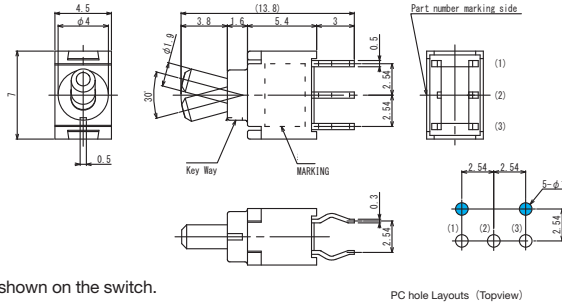
# FT

## SPDT

### PC Straight



Terminal numbers are not shown on the switch.



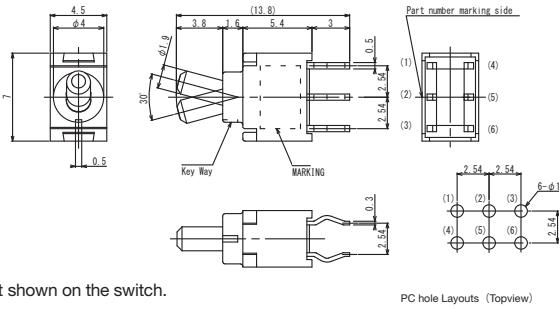
Part No.	Switching function		
<b>FT1D-2M-Z</b>	ON	—	ON
☆ <b>FT1E-2M-Z</b>	ON	OFF	ON
☆ <b>FT1F-2M-Z</b>	ON	—	(ON)
★ <b>FT1G-2M-Z</b>	(ON)	OFF	(ON)
▲ <b>FT1H-2M-Z</b>	ON	OFF	(ON)
Connecting terminals	2-3	—	2-1

## DPDT

### PC Straight



Terminal numbers are not shown on the switch.



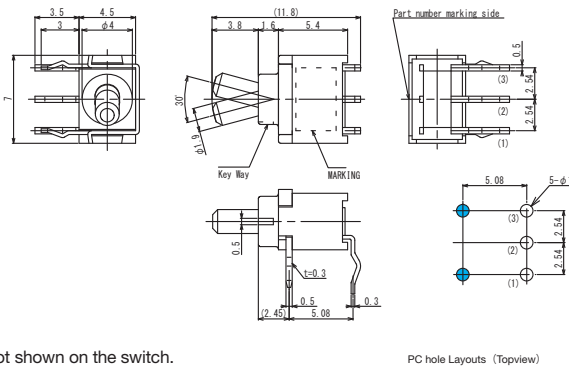
Part No.	Switching function		
<b>FT2D-2M-Z</b>	ON	—	ON
☆ <b>FT2E-2M-Z</b>	ON	OFF	ON
★ <b>FT2F-2M-Z</b>	ON	—	(ON)
★ <b>FT2G-2M-Z</b>	(ON)	OFF	(ON)
★ <b>FT2H-2M-Z</b>	ON	OFF	(ON)
Connecting terminals	2-3 5-6	—	2-1 5-4

## SPDT

### Right Angle Terminal



Terminal numbers are not shown on the switch.



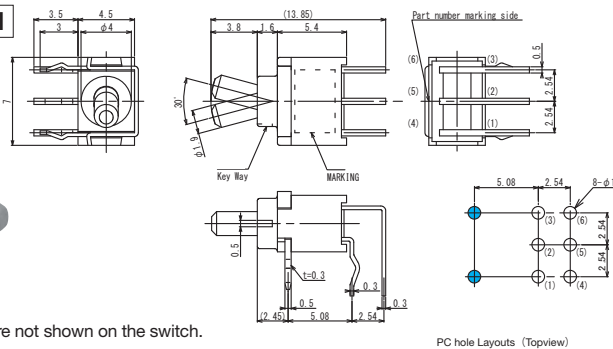
Part No.	Switching function		
<b>FT1D-5M-Z</b>	ON	—	ON
<b>FT1E-5M-Z</b>	ON	OFF	ON
☆ <b>FT1F-5M-Z</b>	(ON)	—	ON
★ <b>FT1FA-5M-Z</b>	ON	—	(ON)
☆ <b>FT1G-5M-Z</b>	(ON)	OFF	(ON)
★ <b>FT1H-5M-Z</b>	(ON)	OFF	ON
▲ <b>FT1HA-5M-Z</b>	ON	OFF	(ON)
Connecting terminals	2-1	—	2-3

## DPDT

### Right Angle Terminal



Terminal numbers are not shown on the switch.



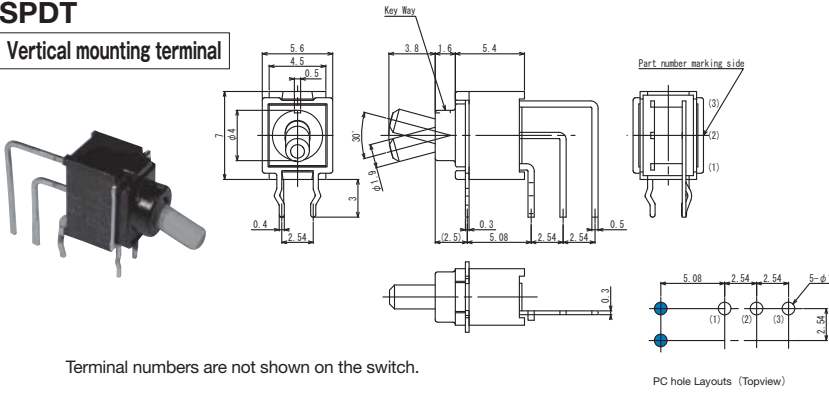
Part No.	Switching function		
☆ <b>FT2D-5M-Z</b>	ON	—	ON
★ <b>FT2E-5M-Z</b>	ON	OFF	ON
★ <b>FT2F-5M-Z</b>	(ON)	—	ON
▲ <b>FT2FA-5M-Z</b>	ON	—	(ON)
▲ <b>FT2G-5M-Z</b>	(ON)	OFF	(ON)
▲ <b>FT2H-5M-Z</b>	(ON)	OFF	ON
▲ <b>FT2HA-5M-Z</b>	ON	OFF	(ON)
Connecting terminals	2-1 5-4	—	2-3 5-6



# FT

## SPDT

Vertical mounting terminal

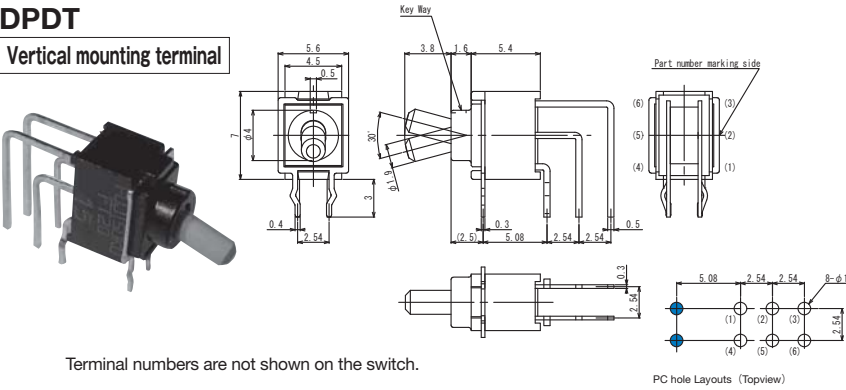


Terminal numbers are not shown on the switch.

Switching function Part No.			
	☆FT1D-4M-Z	ON	—
★FT1E-4M-Z	ON	OFF	ON
★FT1F-4M-Z	ON	—	(ON)
▲FT1FA-4M-Z	(ON)	—	ON
▲FT1G-4M-Z	(ON)	OFF	(ON)
▲FT1H-4M-Z	ON	OFF	(ON)
▲FT1HA-4M-Z	(ON)	OFF	ON
Connecting terminals	2—3	—	2—1

## DPDT

Vertical mounting terminal



Terminal numbers are not shown on the switch.

Switching function Part No.			
	FT2D-4M-Z	ON	—
★FT2E-4M-Z	ON	OFF	ON
★FT2F-4M-Z	ON	—	(ON)
▲FT2FA-4M-Z	(ON)	—	ON
▲FT2G-4M-Z	(ON)	OFF	(ON)
▲FT2H-4M-Z	ON	OFF	(ON)
▲FT2HA-4M-Z	(ON)	OFF	ON
Connecting terminals	2—3 5—6	—	2—1 5—4

### ■ Soldering Specifications

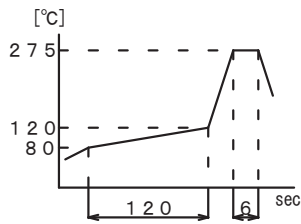
#### (1) Manual Soldering

Device : Soldering iron  
380°C, Max.; 3 seconds, Max.

#### (2) Auto Soldering

Device : Jet wave type or dip type  
275°C, Max.; 6 seconds, Max.

- Pre-heating should be done at temperatures from 80 to 120°C and within 120 sec.



- (3) When soldering two or more terminals to a common land, use solder resist to separate them.

### ■ Flux Cleaning

- (1) Solvent : Fluorine or Alcohol type.
- (2) Cleaning after soldering should be done after the PC board is exposed to room temperature (30°C or below) for 1 to 2 hours.
- (3) Do not use ultrasonic cleaning.

### ■ Packaging Specifications

