



Chipsmall Limited consists of a professional team with an average of over 10 year of expertise in the distribution of electronic components. Based in Hongkong, we have already established firm and mutual-benefit business relationships with customers from,Europe,America and south Asia,supplying obsolete and hard-to-find components to meet their specific needs.

With the principle of “Quality Parts,Customers Priority,Honest Operation,and Considerate Service”,our business mainly focus on the distribution of electronic components. Line cards we deal with include Microchip,ALPS,ROHM,Xilinx,Pulse,ON,Everlight and Freescale. Main products comprise IC,Modules,Potentiometer,IC Socket,Relay,Connector.Our parts cover such applications as commercial,industrial, and automotives areas.

We are looking forward to setting up business relationship with you and hope to provide you with the best service and solution. Let us make a better world for our industry!



Contact us

Tel: +86-755-8981 8866 Fax: +86-755-8427 6832

Email & Skype: info@chipsmall.com Web: www.chipsmall.com

Address: A1208, Overseas Decoration Building, #122 Zhenhua RD., Futian, Shenzhen, China



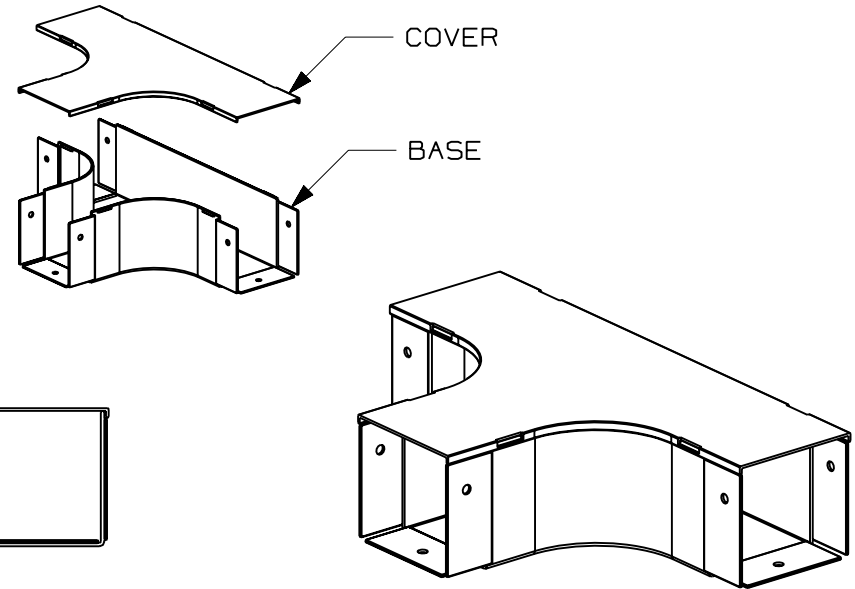
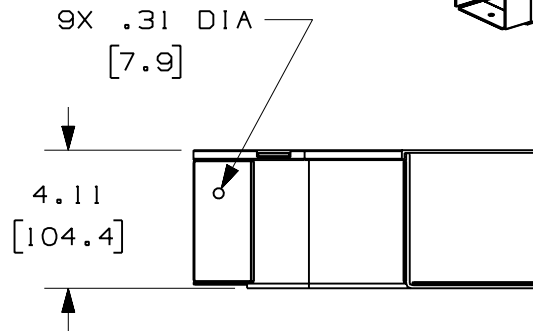
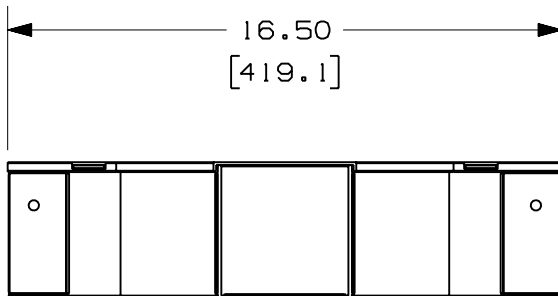
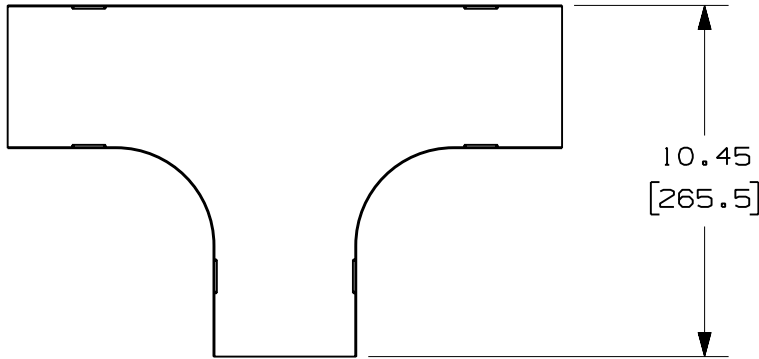


| | |
|---------------------|-----------------------------|
| PANDUIT PART NUMBER | WEIGHT |
| FT4X4 | 1.46 LB/EACH (663g/EACH) |



NOTES:

1. SEE CURRENT CATALOG FOR ADDITIONAL PART SUFFIXES TO INDICATE COLOR AND/OR PACKAGE QUANTITY.
2. THE FIBER-DUCT 4x4 HORIZONTAL TEE FITTING IS DESIGNED WITH A MINIMUM 2" (50.8) BEND RADIUS TO PROTECT FIBER OPTIC CABLES.
3. DIMENSIONS IN PARENTHESES ARE IN METRIC.



ENG. REF.: D35245CF_DC_FT4X4_03.prt

| | | | |
|--|------------|---|--|
| CAD FILENAME/LAYERS | | E FT4X4.pdf | |
| <h1>PANDUIT</h1> CORP TINLEY PARK, ILLINOIS FIBER-DUCT 4x4 HORIZONTAL TEE FITTING (FT4X4) CUSTOMER DRAWING | | | |
| UNLESS OTHERWISE SPECIFIED, DIMENSIONAL TOLERANCES ARE: | | UNLESS OTHERWISE SPECIFIED, ALL DIMENSIONS ARE GIVEN IN INCHES, THIRD ANGLE PROJECTION. | |
| (.X) ± (.XXX) ± (.XX) ± .03 (.8) ANGLES ± | | NONE DRAWING NO. 35245-32 DWG SIZE A | |
| DRAWN BY: JBA DATE: 4-2-97 CHK'D: CEF | MAT'L: ABS | SCALE: NONE | |

| REV | DATE | BY | CHK | DESCRIPTION | ECN | R | CUST | SUP | GMBH |
|-----|----------|-----|-----|--|----------|----|------|-----|------|
| - | ----- | --- | -- | I. REVISED GENERAL NOTES. H. REVISED PART WEIGHT. | ----- | -- | -- | | |
| - | ----- | --- | -- | G. REVISED MATERIAL. F. REVISED DRAWING TITLE. | ----- | -- | -- | | |
| 3 | 12-28-06 | MSO | RN | E. REVISED CAD FILENAME. D. REVISED AND REDRAWN. | 35245-32 | RN | RN | | |