



Chipsmall Limited consists of a professional team with an average of over 10 year of expertise in the distribution of electronic components. Based in Hongkong, we have already established firm and mutual-benefit business relationships with customers from,Europe,America and south Asia,supplying obsolete and hard-to-find components to meet their specific needs.

With the principle of “Quality Parts,Customers Priority,Honest Operation,and Considerate Service”,our business mainly focus on the distribution of electronic components. Line cards we deal with include Microchip,ALPS,ROHM,Xilinx,Pulse,ON,Everlight and Freescale. Main products comprise IC,Modules,Potentiometer,IC Socket,Relay,Connector.Our parts cover such applications as commercial,industrial, and automotives areas.

We are looking forward to setting up business relationship with you and hope to provide you with the best service and solution. Let us make a better world for our industry!



Contact us

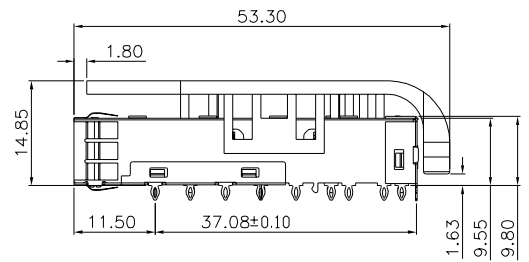
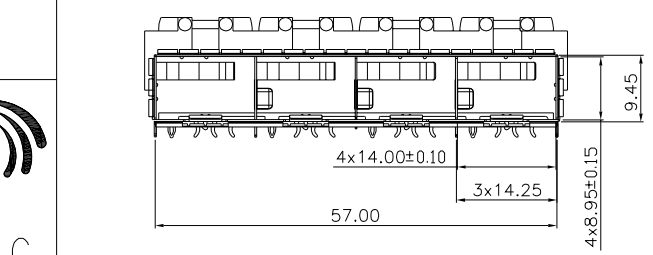
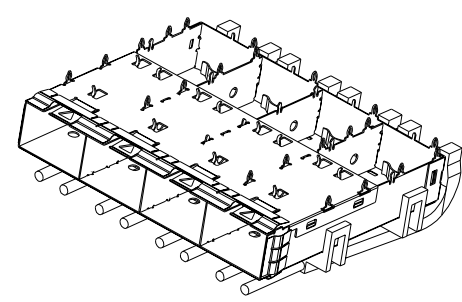
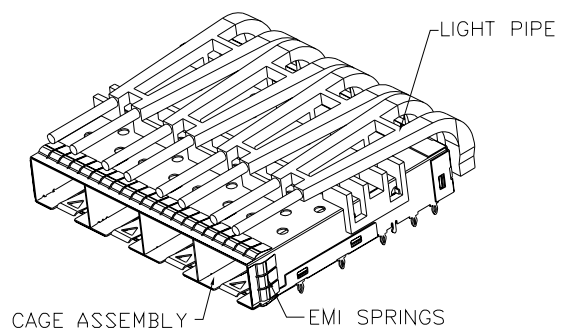
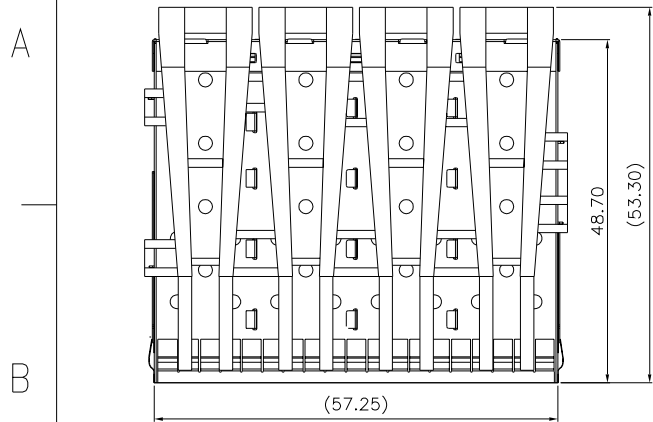
Tel: +86-755-8981 8866 Fax: +86-755-8427 6832

Email & Skype: info@chipsmall.com Web: www.chipsmall.com

Address: A1208, Overseas Decoration Building, #122 Zhenhua RD., Futian, Shenzhen, China



Product Number	Packaging
10126909-101LF	Tray



NOTES:

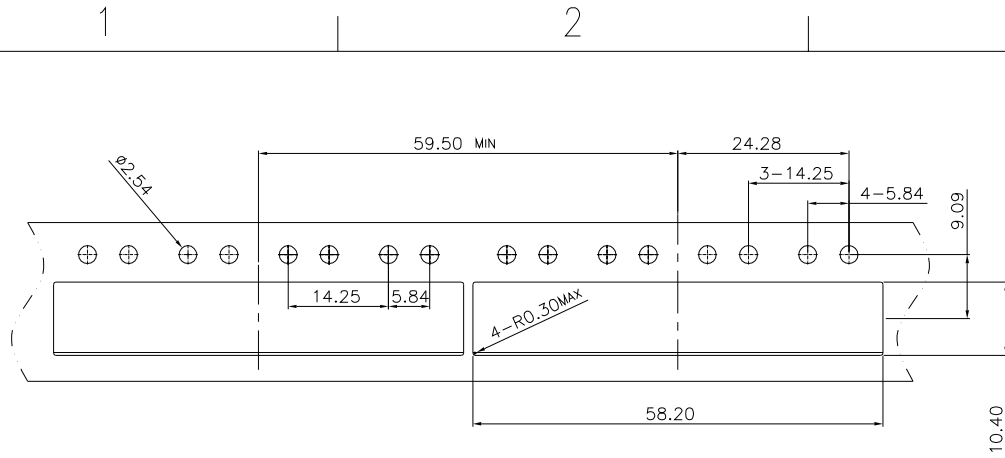
- | 1, DESCRIPTION | Q'ty | MATERIAL | PLATING |
|----------------|------|----------------------------|------------|
| CAGE ASSEMBLY | 1PCS | NICKEL SILVER ALLOY T=0.25 | NO PLATING |
| EMI SPRINGS | 4PCS | COPPER ALLOY T=0.08 | Ni PLATED |
| LIGHT PIPE | 1PCS | POLYCARBONATE.CLEAR | NO PLATING |
- 2, PRODUCT SPECIFICATION: GS-12-1165
3, APPLICATION SPECIFICATION: GS-20-0384
4, PACKAGE PER GS-14-2344 AND GS-14-920



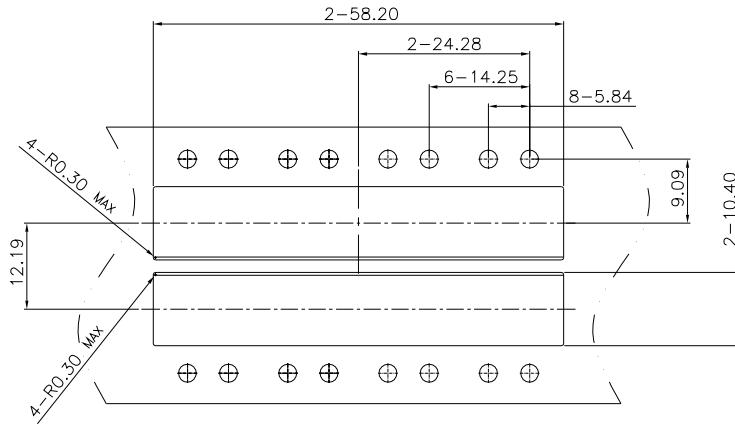
Copyright FCI.

spec ref	RELEASE	dr	Art Lin	2014-01-13	projection 	MM ←→	size	scale
tolerance std	TOLERANCES UNLESS OTHERWISE SPECIFIED	eng	Zhen Luo	2014-01-13			A4	1:1
ISO406 ISO1101		chr	Collins Lu	2014-01-14			ecn no	
surface	linear	appr	JEFFREY QIN	2014-01-14	product family	SFP+	rel level	Released
ISO1302		angular	 www.fci.com		title SFP+ 1X4 CAGE ASSEMBLY EMI SPRING TYPE PRESS FIT WITH LIGHTPIPE		dwg no 10126909	
	0.X	±0.25						
	0.XX	±0.20						
	0.XXX	±0.15						
	0°	±0.5°						

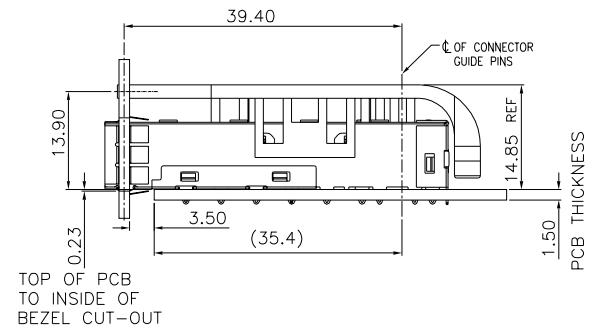
Proj/E File - REV C - 2009-06-09



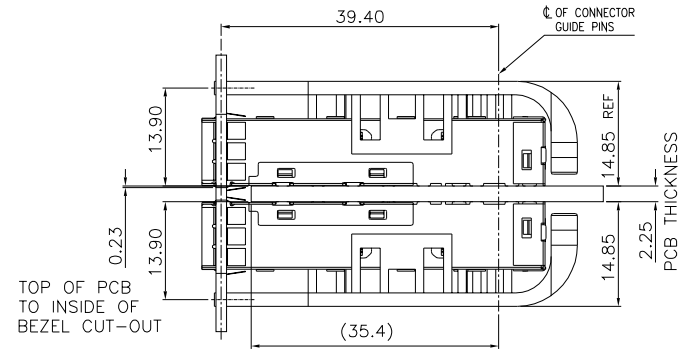
BEZEL CUT-OUT SINGLE SIDED APPLICATIONS



RECOMMENDED BEZEL CUT-OUT BELLY TO BELLY APPLICATIONS



MOUNTED ON PC BOARD SHOWN THRU RECOMMENDED BEZEL



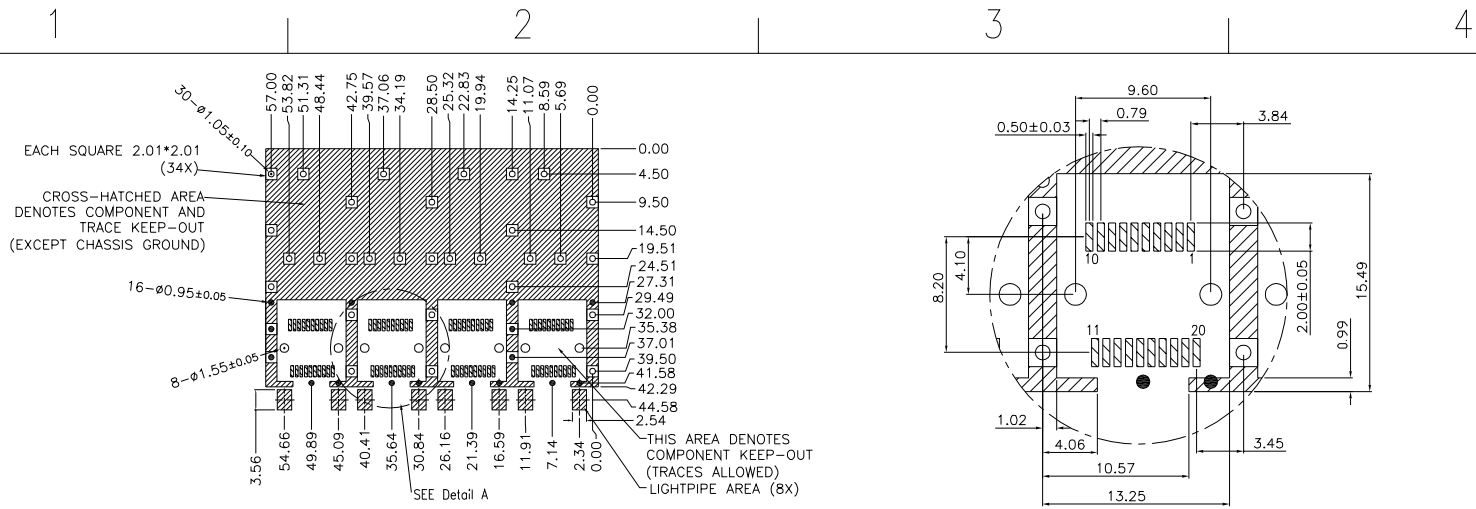
MOUNTED BELLY TO BELLY ON PC BOARD SHOWN THRU RECOMMENDED BEZEL



Copyright FCI.

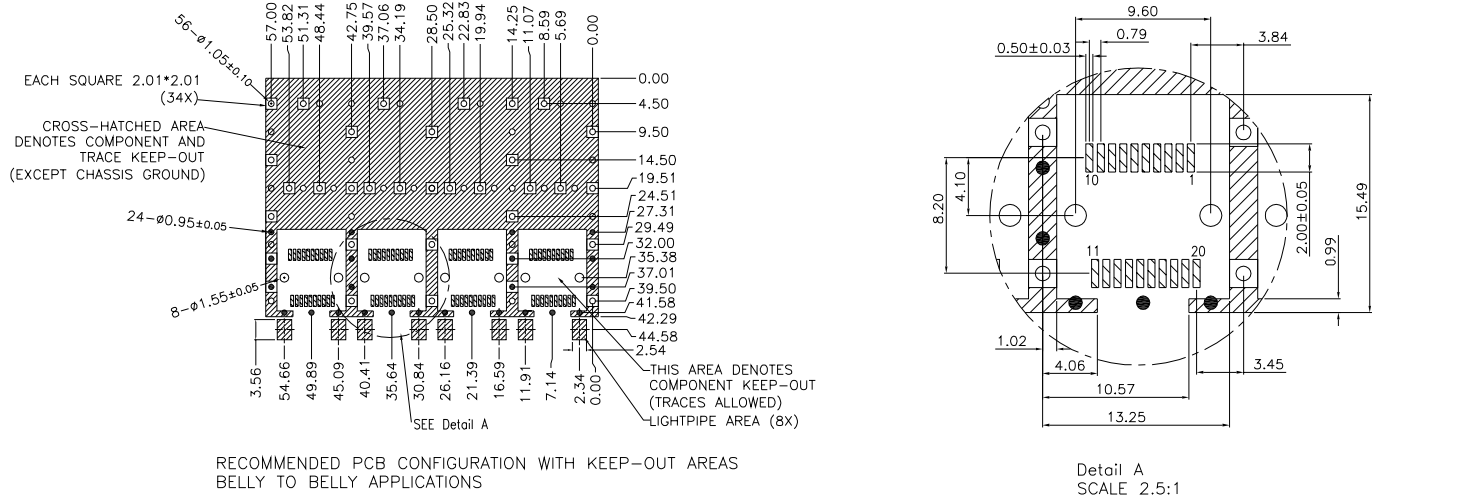
spec ref	RELEASE	dr	Art Lin	2014-01-13	projection	MM	size	scale
tolerance std	TOLERANCES UNLESS OTHERWISE SPECIFIED	eng	Zhen Luo	2014-01-13				A4
ISO406		chr	Collins Lu	2014-01-14	ecn no			
ISO1101		appr	JEFFREY QIN	2014-01-14	product family	SFP+	rel level	Released
surface	linear			title SFP+ 1X4 CAGE ASSEMBLY EMI SPRING TYPE PRESS FIT WITH LIGHTPIPE	dwg no 10126909	rev C		
ISO1302							angular	0°
		www.fci.com	cat. no.	-	Product-Customer Drw		sheet 2 of 3	

Pro/E File - REV C - 2009-06-09



RECOMMENDED PCB CONFIGURATION WITH KEEP-OUT AREAS
SINGLE SIDED APPLICATIONS

Detail A
SCALE 2.5:1



RECOMMENDED PCB CONFIGURATION WITH KEEP-OUT AREAS
BELLY TO BELLY APPLICATIONS

Detail A
SCALE 2.5:1



Copyright FCI.

spec ref	RELEASE			dr	Art Lin	2014-01-13	projection 	size	scale		
tolerance std	TOLERANCES UNLESS OTHERWISE SPECIFIED			eng	Zhen Luo	2014-01-13		MM ←→	A4	1:1	
ISO406				chr	Collins Lu	2014-01-14	product family	ecn no			
ISO1101				apppr		JEFFREY QIN		2014-01-14	SFP+	rel level	
surface	linear	0.X	±0.25		title	SFP+ 1X4 CAGE ASSEMBLY EMI SPRING TYPE PRESS FIT WITH LIGHTPIPE		dwg no	10126909		rev
		0.XX	±0.20								
0.XXX	±0.15										
ISO1302	angular	0°	±0.5°	www.fci.com	cat. no.	-	Product-Customer Drw		sheet 3 of 3		

Proj/E File - REV C - 2009-06-09