



Chipsmall Limited consists of a professional team with an average of over 10 year of expertise in the distribution of electronic components. Based in Hongkong, we have already established firm and mutual-benefit business relationships with customers from,Europe,America and south Asia,supplying obsolete and hard-to-find components to meet their specific needs.

With the principle of “Quality Parts,Customers Priority,Honest Operation,and Considerate Service”,our business mainly focus on the distribution of electronic components. Line cards we deal with include Microchip,ALPS,ROHM,Xilinx,Pulse,ON,Everlight and Freescale. Main products comprise IC,Modules,Potentiometer,IC Socket,Relay,Connector.Our parts cover such applications as commercial,industrial, and automotives areas.

We are looking forward to setting up business relationship with you and hope to provide you with the best service and solution. Let us make a better world for our industry!



## Contact us

Tel: +86-755-8981 8866 Fax: +86-755-8427 6832

Email & Skype: info@chipsmall.com Web: www.chipsmall.com

Address: A1208, Overseas Decoration Building, #122 Zhenhua RD., Futian, Shenzhen, China

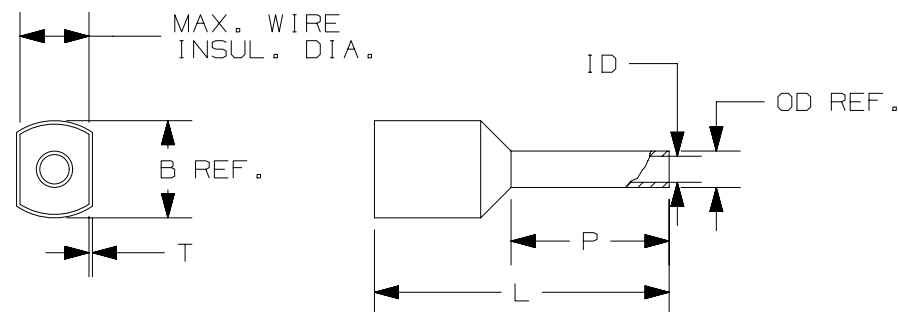


| PANDUIT PART # | WIRE RANGE (ACCEPTS 2 WIRES) |                       | COLOR (DIN) | WIRE STRIP LENGTH<br>+1/32 -0<br>[+0,8 -0] | MAX. WIRE INSUL. DIA. | WIRE CLASS    | DIMENSIONS in. [mm] |            |           |            |            |               | INSTALLATION TOOLS/DIES  |
|----------------|------------------------------|-----------------------|-------------|--|-----------------------|---------------|---------------------|------------|-----------|------------|------------|---------------|--|
|                | AWG 2X                       | [mm <sup>2</sup> ] 2X |             |  |                       |               | L                   | P          | ID        | OD (REF.)  | B (REF.)   | T             |  |
| *FTD75-8       | 22-20                        | [0,5]                 | WHITE       | 7/16 [11,2]                                | .09 [2,4]             | B, K, M       | .59 [15,0]          | .31 [8,0]  | .06 [1,5] | .07 [1,8]  | .18 [4,6]  | .01<br>[0,3]  | CT-1002<br>CT-1003<br>CT-1090<br>^^CD-090<br>CT-1123<br>CT-1160<br>CT-1170<br>#CT-2523CH |
| FTD76-8        | 18                           | [0,75]                | GREY        | 7/16 [11,2]                                | .09 [2,4]             | B, K, M       | .59 [15,0]          | .31 [8,0]  | .07 [1,8] | .08 [2,1]  | .20 [5,0]  |               |  |
| FTD76-10       | 18                           | [0,75]                | GREY        | 9/16 [14,0]                                | .09 [2,4]             | B, K, M       | .67 [17,0]          | .39 [10,0] | .07 [1,8] | .08 [2,1]  | .20 [5,0]  |               |  |
| FTD77-8        | 18                           | [1,0]                 | RED         | 7/16 [11,2]                                | .11 [2,8]             | B, K, M       | .59 [15,0]          | .31 [8,0]  | .08 [2,0] | .09 [2,35] | .20 [5,0]  |               |  |
| FTD77-10       | 18                           | [1,0]                 | RED         | 9/16 [14,0]                                | .11 [2,8]             | B, K, M       | .67 [17,0]          | .39 [10,0] | .08 [2,0] | .09 [2,35] | .20 [5,0]  |               |  |
| FTD78-8        | 16                           | [1,5]                 | BLACK       | 7/16 [11,2]                                | .12 [3,0]             | B, K, M       | .63 [16,0]          | .31 [8,0]  | .09 [2,3] | .10 [2,6]  | .25 [6,4]  |               |  |
| FTD78-12       | 16                           | [1,5]                 | BLACK       | 21/32 [16,8]                               | .12 [3,0]             | B, K, M       | .79 [20,0]          | .47 [12,0] | .09 [2,3] | .10 [2,6]  | .25 [6,4]  |               |  |
| FTD80-10       | 14                           | [2,5]                 | BLUE        | 9/16 [14,0]                                | .15 [3,8]             | K, M          | .73 [18,5]          | .39 [10,0] | .11 [2,8] | .13 [3,3]  | .30 [7,6]  |               |  |
| FTD80-13       | 14                           | [2,5]                 | BLUE        | 23/32 [18,2]                               | .15 [3,8]             | K, M          | .85 [21,5]          | .51 [13,0] | .11 [2,8] | .13 [3,3]  | .30 [7,6]  |               |  |
| FTD81-12       | 12                           | [4,0]                 | GREY        | 21/32 [16,8]                               | .17 [4,3]             | G, K, M       | .91 [23,0]          | .47 [12,0] | .15 [3,8] | .17 [4,2]  | .34 [8,6]  |               |  |
| FTD82-14       | 10                           | [6,0]                 | YELLOW      | 3/4 [19,0]                                 | .19 [4,8]             | G, I, K, M    | .98 [25,0]          | .55 [14,0] | .19 [4,9] | .21 [5,3]  | .38 [9,7]  | .016<br>[0,4] | +CT-1003, CT-1004, CT-1090,<br>^^CD-090, CT-1104, ^CT-1160,<br>^CT-1170, #CT-2504CH      |
| FTD83-14       | 8                            | [10,0]                | RED         | 3/4 [19,0]                                 | .28 [7,1]             | G, H, I, K, M | 1.02 [26,0]         | .55 [14,0] | .26 [6,5] | .27 [6,9]  | .50 [12,7] | .02<br>[0,5]  | CT-1005  |
| FTD84-16       | 6                            | [16,0]                | BLUE        | 13/16 [21,0]                               | .35 [8,9]             | G, H, I, K, M | 1.22 [31,0]         | .63 [16,0] | .33 [8,5] | .35 [8,9]  | .65 [16,5] |               |  |

\* UL LISTED WITH 20 AWG ONLY, UL486F SCOPE IS 20 - 1/0 AWG. WHITE IS DIN COLOR FOR 20 AWG [0,5]  
 + TOOL/PART COMBINATION IS NOT UL LISTED  
 ^ TOOL/PART COMBINATION IS UL LISTED WITH CLASS M ONLY  
 ^^ DIES USED WITH CT-2300 TOOL  
 # CRIMP HEAD USED WITH CT-2500 TOOL

NOTES:

- USED FOR:
  - UL LISTED WITH STRANDED COPPER WIRE ONLY
  - 221°F [105°C] MAX. OPERATING TEMPERATURE
- MATERIAL:
  - STAMPING: COPPER, TIN PLATED
  - HOUSING: POLYPROPYLENE, COLOR CODED
  - COLOR CODE CONFORMS TO DIN STANDARD
- SEE [www.panduit.com](http://www.panduit.com) FOR PACKAGE QUANTITIES
- DIMENSIONS IN BRACKETS ARE METRIC EQUIVALENT
- DIMENSIONAL PART TOLERANCE +/-0.016 [0,4]



| REV | DATE    | BY   | CHK  | APR | DESCRIPTION   | ECN    |
|-----|---------|------|------|-----|---|--------|
| 19  | 3.29.17 | TMR  | TMR  | RGB | ADDED TOOL INFORMATION RELATED TO CT-2500 TOOL                                      | A41669 |
| 18  | 11.9.16 | JHNU | JLOV | RGB | ADDED CT-1090, CT-2300, CT-1160, CT-1170<br>REVISED DRAWING SIZE: B SIZE WAS A SIZE | A41669 |

|  |  |                    |  |
|--|--|--------------------|--|
| TITLE<br><b>FERRULES WITH SLEEVES TWIN WIRE (DIN)<br/>FTD: 2 WIRES INSERTED INTO FERRULE</b> |  | CUSTOMER DRAWING   |  |
| ITEM REVISION NAME<br>N41669BA/19  |  | <b>PANDUIT</b>     |  |
| DATASET FILE NAME<br>N41669BA_DC/19  |  |                    |  |
| UNLESS OTHERWISE SPECIFIED,<br>DIMENSIONAL TOLERANCES ARE: IN [mm]                           |  |                    |  |
| .x ± .1 [2.54]   |  | .xxx ± .005 [.127] |  |
| .xx ± .01 [.25]  |  | ANGLES ± 5°        |  |
| DRAWN BY<br>JKD  |  | DATE<br>-          |  |
| CHK<br>-   |  | SCALE<br>N.T.S.    |  |
| DRAWING NUMBER:<br>A41669  |  | SHT 1 OF 1         |  |

D10100DB/17