



Chipsmall Limited consists of a professional team with an average of over 10 year of expertise in the distribution of electronic components. Based in Hongkong, we have already established firm and mutual-benefit business relationships with customers from,Europe,America and south Asia,supplying obsolete and hard-to-find components to meet their specific needs.

With the principle of “Quality Parts,Customers Priority,Honest Operation,and Considerate Service”,our business mainly focus on the distribution of electronic components. Line cards we deal with include Microchip,ALPS,ROHM,Xilinx,Pulse,ON,Everlight and Freescale. Main products comprise IC,Modules,Potentiometer,IC Socket,Relay,Connector.Our parts cover such applications as commercial,industrial, and automotives areas.

We are looking forward to setting up business relationship with you and hope to provide you with the best service and solution. Let us make a better world for our industry!



Contact us

Tel: +86-755-8981 8866 Fax: +86-755-8427 6832

Email & Skype: info@chipsmall.com Web: www.chipsmall.com

Address: A1208, Overseas Decoration Building, #122 Zhenhua RD., Futian, Shenzhen, China



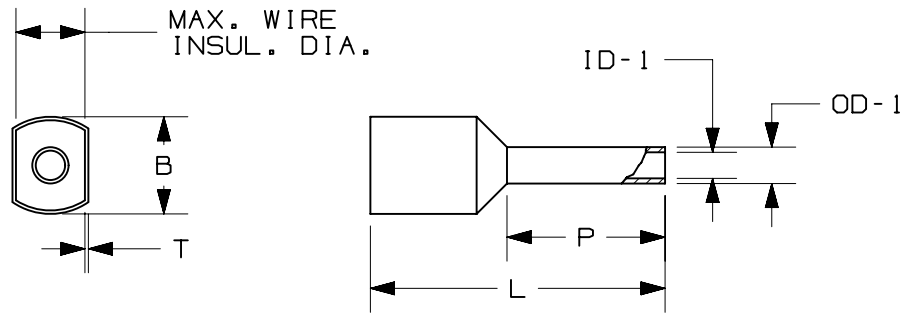
THIS COPY IS PROVIDED ON A RESTRICTED BASIS AND IS NOT TO BE USED IN ANY WAY DETRIMENTAL TO THE INTERESTS OF PANDUIT CORP.

PANDUIT PART #	WIRE RANGE		COLOR*	WIRE STRIP LENGTH +1/32 -0 [+0,8 -0]	MAX. WIRE INSUL. DIA.	DIMENSIONS in. [mm]					INSTALLATION TOOLS	
	AWG	[mm ²]				L	P	ID-1	OD-1	B		T
FTD75-8	22-20	[0,5]	WHITE	7/16 [11,2]	.09 [2,4]	.59 [15,0]	.31 [8,0]	.06 [1,5]	.07 [1,8]	.18 [4,6]	.01 [0,3]	CT-1002 CT-1003 CT-1123
FTD76-8	18	[0,8]	GREY	7/16 [11,2]	.09 [2,4]	.59 [15,0]	.31 [8,0]	.07 [1,8]	.08 [2,0]	.20 [5,0]		
FTD76-10	18	[0,8]	GREY	9/16 [14,0]	.09 [2,4]	.67 [17,0]	.39 [10,0]	.07 [1,8]	.08 [2,0]	.20 [5,0]		
FTD77-8	--	[1,0]	RED	7/16 [11,2]	.11 [2,8]	.59 [15,0]	.31 [8,0]	.08 [2,0]	.09 [2,3]	.20 [5,0]		
FTD77-10	--	[1,0]	RED	9/16 [14,0]	.11 [2,8]	.67 [17,0]	.39 [10,0]	.08 [2,0]	.09 [2,3]	.20 [5,0]		
FTD78-8	16	[1,5]	BLACK	7/16 [11,2]	.12 [3,0]	.63 [16,0]	.31 [8,0]	.09 [2,3]	.10 [2,5]	.25 [6,4]		
FTD78-12	16	[1,5]	BLACK	21/32 [16,8]	.12 [3,0]	.79 [20,0]	.47 [12,0]	.09 [2,3]	.10 [2,5]	.25 [6,4]		
FTD80-10	14	[2,5]	BLUE	9/16 [14,0]	.15 [3,8]	.73 [18,5]	.39 [10,0]	.11 [2,8]	.13 [3,3]	.30 [7,6]		
FTD80-13	14	[2,5]	BLUE	23/32 [18,2]	.15 [3,8]	.85 [21,5]	.51 [13,0]	.11 [2,8]	.13 [3,3]	.30 [7,6]		
FTD81-12	12	[4,0]	GREY	21/32 [16,8]	.17 [4,3]	.91 [23,0]	.47 [12,0]	.15 [3,8]	.17 [4,3]	.34 [8,6]		
FTD82-14	10	[6,0]	YELLOW	25/32 [19,6]	.19 [4,8]	.98 [25,0]	.55 [14,0]	.18 [4,6]	.20 [5,0]	.38 [9,7]		
FTD83-14	8	[10,0]	RED	25/32 [19,6]	.28 [7,1]	1.02 [26,0]	.55 [14,0]	.26 [6,6]	.27 [6,9]	.50 [12,7]		
FTD84-16	6	[16,0]	BLUE	3/4 [19,1]	.35 [8,9]	1.22 [31,0]	.63 [16,0]	.33 [8,4]	.35 [8,9]	.65 [16,5]		
											CT-1003, CT-1004, CT-1104	
											CT-1005	

* INSULATION COLOR CONFORMS TO DIN SPECIFICATION

NOTES:

- USED FOR:
 - A. STRANDED COPPER WIRE ONLY
 - B. 221°F [105°C] MAX. OPERATING TEMPERATURE
- MATERIAL:
 - A. STAMPING: COPPER, TIN PLATED
 - B. HOUSING: POLYPROPYLENE, COLOR CODED
- SEE www.panduit.com FOR PACKAGE QUANTITIES
- DIMENSIONS IN BRACKETS ARE METRIC EQUIVALENT
- FOR TOLERANCING REFER TO DIN 46228 PART 4



11	02.19.13	JBN	BCT	VMB	REVISED NOTES; ADDED CSA LOGO UPDATED DRAWING TO CURRENT STANDARDS		A41669		
REV	DATE	BY	CHK	APR	DESCRIPTION	ECN			

TITLE		FERRULES WITH SLEEVES TWIN WIRE (DIN)		
		CUSTOMER DRAWING		
ITEM REVISION NAME		N41669BA/11		
DATASET FILE NAME		N41669BA_DC/11A		
UNLESS OTHERWISE SPECIFIED, DIMENSIONAL TOLERANCES ARE: IN [mm]		MATERIAL:		
.X ±		.XXX ±		
.XX ±		ANGLES ±		
		THIRD ANGLE PROJECTION		
DRAWING NUMBER:		A41669		
DRAWN BY	DATE	CHK	SCALE	SIZE
JKD	-	SKB	N.T.S.	A
SHEET 1 OF 1				