



Chipsmall Limited consists of a professional team with an average of over 10 year of expertise in the distribution of electronic components. Based in Hongkong, we have already established firm and mutual-benefit business relationships with customers from,Europe,America and south Asia,supplying obsolete and hard-to-find components to meet their specific needs.

With the principle of “Quality Parts,Customers Priority,Honest Operation,and Considerate Service”,our business mainly focus on the distribution of electronic components. Line cards we deal with include Microchip,ALPS,ROHM,Xilinx,Pulse,ON,Everlight and Freescale. Main products comprise IC,Modules,Potentiometer,IC Socket,Relay,Connector.Our parts cover such applications as commercial,industrial, and automotives areas.

We are looking forward to setting up business relationship with you and hope to provide you with the best service and solution. Let us make a better world for our industry!



Contact us

Tel: +86-755-8981 8866 Fax: +86-755-8427 6832

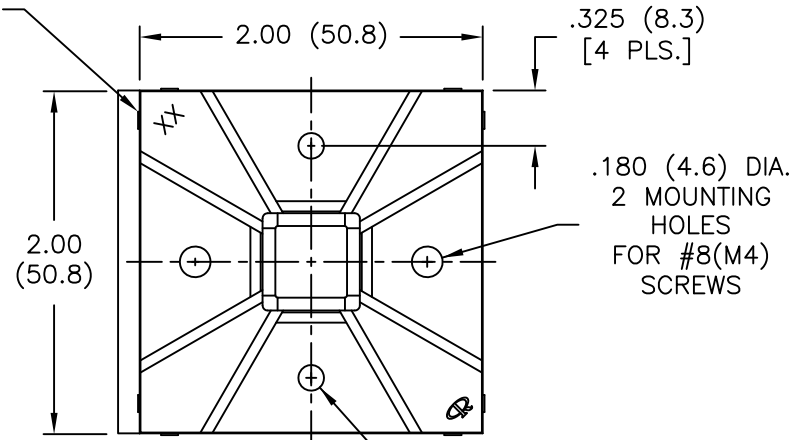
Email & Skype: info@chipsmall.com Web: www.chipsmall.com

Address: A1208, Overseas Decoration Building, #122 Zhenhua RD., Futian, Shenzhen, China

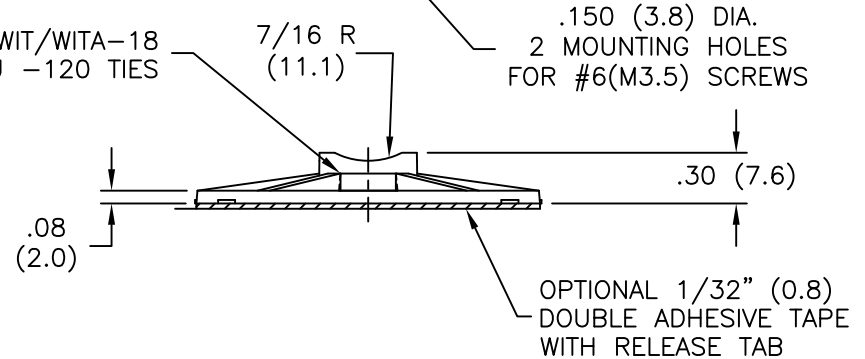


PART NO.	MATERIAL	COLOR	ADHESIVE
FTH-10-01	NYLON 6/6 (RMS-01)	NATURAL	NONE
FTH-10A			ACRYLIC TAPE (RMS-15), WHITE LINER

THESE BUMPS MAY NOT APPEAR ON PART (8PLS)



ACCOMMODATES WIT/WITA-18 THRU -120 TIES



NOTES:

1. NYLON 6/6 (RMS-01),
COLOR: NATURAL,
RUBBER ADHESIVE TAPE (RMS-102), BLUE LINER,
AVAILABLE BY SPECIAL ORDER ONLY;
TO ORDER USE P/N FTH-10A1.
FLAME RETARDANT NYLON (RMS-19),
COLOR: NATURAL,
ACRYLIC ADHESIVE TAPE (RMS-15), WHITE LINER,
AVAILABLE BY SPECIAL ORDER ONLY;
TO ORDER USE P/N FTH-10A-19
OR FTH-10-19 (WITHOUT TAPE).

- UV STABILIZED NYLON (RMS-46),
COLOR: BLACK,
ACRYLIC ADHESIVE TAPE (RMS-15), WHITE LINER,
AVAILABLE BY SPECIAL ORDER ONLY;
TO ORDER USE P/N FTH-10A-UVB
OR FTH-10-UVB (WITHOUT TAPE),
RUBBER ADHESIVE TAPE (RMS-102), BLUE LINER,
AVAILABLE BY SPECIAL ORDER ONLY.
TO ORDER USE P/N FTH-10A1-RT-UVB.

2. PACKAGING QUANTITIES ARE REFLECTED AS THE SUFFIX "-LETTER".
EXAMPLE: FTH-10-01-M FOR 1000 PCS.
-C = 100 PCS
-M = 1000 PCS

H	SEE CO 200773 FOR CHANGES	SK 04.30.12
G	ADDED NOTE 2. SEE CO 200661	SK 05.12.11
F	SEE CO 200570 FOR CHANGES	SK 08.04.10
E	SEE CO 200248 FOR CHANGES	SK 10.30.08
D	SEE ECN #1124 FOR CHANGES	SK 01.24.06
C	COMPLETELY RE-DRAWN & CHANGED FILE#	SM 10.18.01
B	ADDED (RMS-102) BY SPECIAL ORDER ONLY	JL 08.22.00
A	MAT'L NOTES UPDATED	JL 01.10.00
REV	DESCRIPTION	ENGR DATE

TITLE: FLAT TIE HOLDER		DWG IN IN (MM)	FINAL	PRINT TYPE
FILE # FTH-10	DWN: JL	APP:	PART #	CA
MAT'L: SEE NOTES	DT: 01.10.00	DT:		
RE: RICHCO, INC.	RICHCO INC. PO BOX 804238, CHICAGO, 60680 (773) 539-4060		SEE TABLE	