



Chipsmall Limited consists of a professional team with an average of over 10 year of expertise in the distribution of electronic components. Based in Hongkong, we have already established firm and mutual-benefit business relationships with customers from,Europe,America and south Asia,supplying obsolete and hard-to-find components to meet their specific needs.

With the principle of “Quality Parts,Customers Priority,Honest Operation,and Considerate Service”,our business mainly focus on the distribution of electronic components. Line cards we deal with include Microchip,ALPS,ROHM,Xilinx,Pulse,ON,Everlight and Freescale. Main products comprise IC,Modules,Potentiometer,IC Socket,Relay,Connector.Our parts cover such applications as commercial,industrial, and automotives areas.

We are looking forward to setting up business relationship with you and hope to provide you with the best service and solution. Let us make a better world for our industry!



Contact us

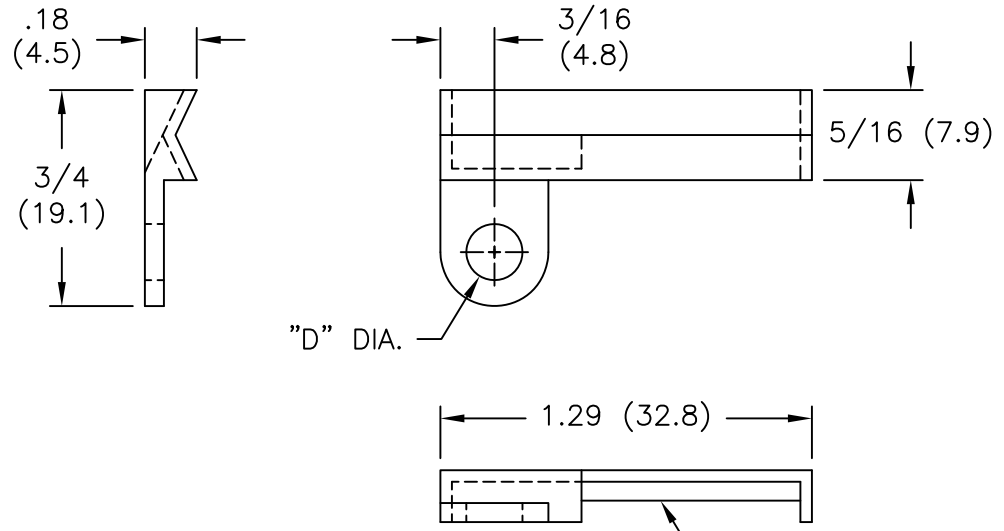
Tel: +86-755-8981 8866 Fax: +86-755-8427 6832

Email & Skype: info@chipsmall.com Web: www.chipsmall.com

Address: A1208, Overseas Decoration Building, #122 Zhenhua RD., Futian, Shenzhen, China



PART NO.	"D" DIA.
FTH-11-8-01	.170 (4.3)
FTH-11-10-01	.195 (5.0)



NOTES:

1. MATERIAL: NYLON 6/6 (RMS-01),
COLOR: NATURAL.
2. FLAME RETARDANT NYLON (RMS-19),
COLOR: NATURAL,
AVAILABLE BY SPECIAL ORDER ONLY;
TO ORDER USE P/N FTH-11-8-19 OR
FTH-11-10-19.

ACCOMMODATES WIT/WITA-18
THRU -50 TIES

TITLE: FLAT TIE HOLDER				DWG IN IN (MM)	
D	SEE CO 200570 FOR CHANGES	SK 08.04.10	FILE # FTH-11	DWN: P.B.	APP:
C	SEE ECN #1124 FOR CHANGES	SK 01.24.06	MAT'L: SEE NOTES	DT: 12-21-95	DT:
B	CHANGED FILE NO.	SM 10.25.01	RE: RICHCO, INC.	RICHCO INC. PO BOX 804238, CHICAGO, 60680 (773) 539-4060	
A	DIM. 3/4 AND FR NYLON (RMS-19) ADDED	J.L. 01.07.00	TOLERANCES UNLESS NOTED .XX=±.010 .XXX=±.005 FRAC=±1/64 ANG=±1°	PART # SEE TABLE	PRINT TYPE CA
REV	DESCRIPTION	ENGR DATE	FINAL		