



Chipsmall Limited consists of a professional team with an average of over 10 year of expertise in the distribution of electronic components. Based in Hongkong, we have already established firm and mutual-benefit business relationships with customers from,Europe,America and south Asia,supplying obsolete and hard-to-find components to meet their specific needs.

With the principle of “Quality Parts,Customers Priority,Honest Operation,and Considerate Service”,our business mainly focus on the distribution of electronic components. Line cards we deal with include Microchip,ALPS,ROHM,Xilinx,Pulse,ON,Everlight and Freescale. Main products comprise IC,Modules,Potentiometer,IC Socket,Relay,Connector.Our parts cover such applications as commercial,industrial, and automotives areas.

We are looking forward to setting up business relationship with you and hope to provide you with the best service and solution. Let us make a better world for our industry!



## Contact us

Tel: +86-755-8981 8866 Fax: +86-755-8427 6832

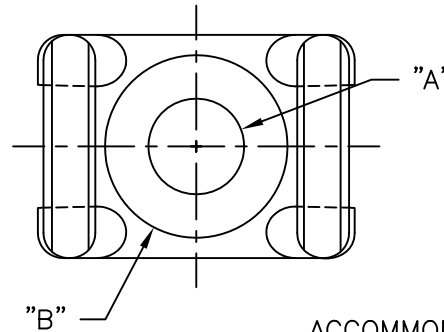
Email & Skype: info@chipsmall.com Web: www.chipsmall.com

Address: A1208, Overseas Decoration Building, #122 Zhenhua RD., Futian, Shenzhen, China



MOUNTING RIVETS FOR - FTH-14R		
USE RIVET NO.	HOLE DIA.	FOR PANEL THICKNESS RANGE
SR-5055	.201 (5.1)	.020-.048 (0.5-1.2)
SR-5065		.048-.087 (1.2-2.2)
SR-5075		.087-.127 (2.2-3.2)
SR-5085		.127-.166 (3.2-4.2)
SR-5095		.166-.205 (4.2-5.2)
SR-5105		.205-.245 (5.2-6.2)

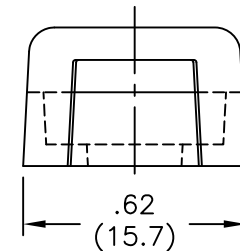
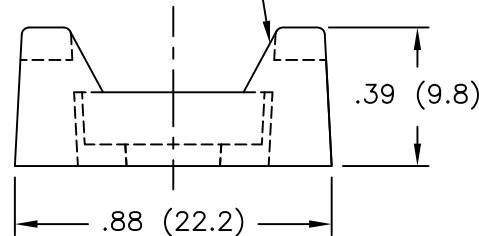
PART NO.	"A" DIA.	DIM. "B" C'BORE DIA.
FTH-14R-01	.21 (5.2)	.38 (9.5)
FTH-14S-01	.26 (6.6)	.49 (12.5)



NOTES:

- MATERIAL: NYLON 6/6 (RMS-01), COLOR NATURAL. BLACK AVAILABLE BY SPECIAL ORDER ONLY. TO ORDER ADD "BK" TO END OF PART NO.
- FLAME RETARDANT NYLON (RMS-19). COLOR NATURAL. AVAILABLE BY SPECIAL ORDER ONLY; TO ORDER USE P/N FTH-14R-19 OR FTH-14S-19.
- UV STABILIZED NYLON 6/6 (RMS-46), COLOR BLACK. AVAILABLE BY SPECIAL ORDER ONLY; TO ORDER USE P/N FTH-14R-UVB OR FTH-14S-UVB.
- MOUNTING SCREW FOR FTH-14R: NO. 10 (M5) FLAT, ROUND, OR PAN HEAD MOUNTING SCREW FOR FTH-14S: NO. 1/4" (M6) ROUND OR PAN HEAD.
- PACKAGING QUANTITIES ARE REFLECTED AS THE SUFFIX "-LETTER".  
EXAMPLE: FTH-14S-01-M FOR 1000 PCS.  
-C = 100 PCS  
-M = 1000 PCS

ACCOMMODATES WIT/WITA-18 THRU -120 TIES



G	ADDED NOTE 5, SEE CO 200661	SK 05.12.11	TITLE:	FLAT TIE HOLDER				DWG IN IN (MM)	
F	SEE CO 200570 FOR CHANGES	SK 08.04.10	TOLERANCES UNLESS NOTED	FILE #	FTH-14X	DWN:	E.P.	APP:	
E	SEE CO 220042 FOR CHANGES	T.Y. 11.11.09	.XX=±.010	MAT'L:	SEE NOTES	DT:	12-30-98	DT:	
D	SEE ECN #1124 FOR CHANGES	SK 01.24.06	.XXX=±.005	RE:	RICHCO, INC.	RICHCO INC. PO BOX 804238, CHICAGO, 60680 (773) 539-4060			
C	UPDATED PRINT AND CHANGED FILE NO.	SM 05.30.02	FRAC=±1/64	PART #		SEE TABLE		PRINT TYPE	
B	MAT'L RMS-19 ADDED, CABLE TIE NOTE UPDATED	JL 01.05.00	ANG=±1'	CA					
A	CORRECTED TABLE	AM 5/6/99							
REV	DESCRIPTION	ENGR DATE							