



Chipsmall Limited consists of a professional team with an average of over 10 year of expertise in the distribution of electronic components. Based in Hongkong, we have already established firm and mutual-benefit business relationships with customers from,Europe,America and south Asia,supplying obsolete and hard-to-find components to meet their specific needs.

With the principle of “Quality Parts,Customers Priority,Honest Operation,and Considerate Service”,our business mainly focus on the distribution of electronic components. Line cards we deal with include Microchip,ALPS,ROHM,Xilinx,Pulse,ON,Everlight and Freescale. Main products comprise IC,Modules,Potentiometer,IC Socket,Relay,Connector.Our parts cover such applications as commercial,industrial, and automotives areas.

We are looking forward to setting up business relationship with you and hope to provide you with the best service and solution. Let us make a better world for our industry!



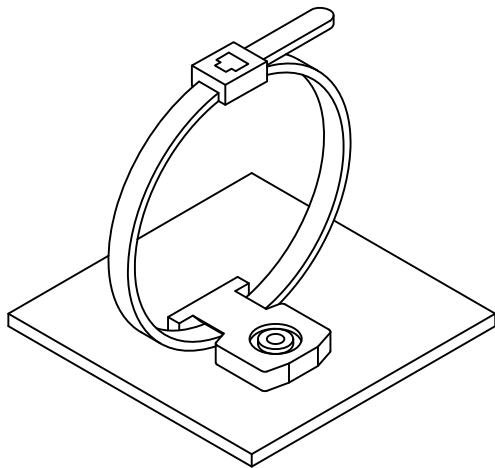
Contact us

Tel: +86-755-8981 8866 Fax: +86-755-8427 6832

Email & Skype: info@chipsmall.com Web: www.chipsmall.com

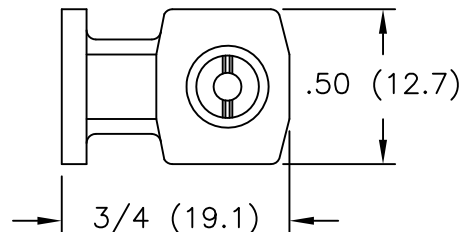
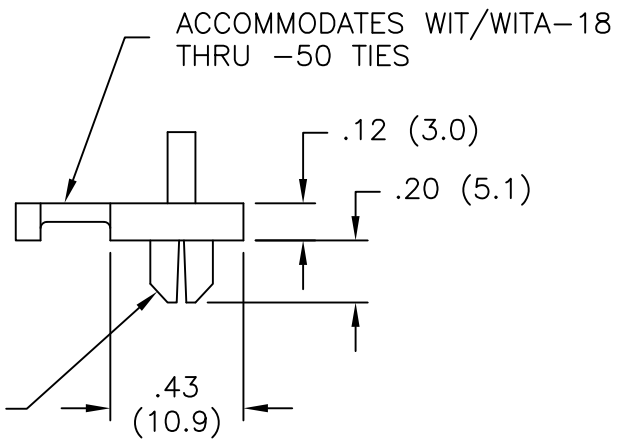
Address: A1208, Overseas Decoration Building, #122 Zhenhua RD., Futian, Shenzhen, China





TYPICAL APPLICATION

TO FIT IN A $.196 \pm .002$
 (5.0 ± 0.05) DIA. HOLE,
 $.030 - .125$ $(0.8 - 3.2)$ PANEL THCK.



NOTES:

1. MATERIAL: NYLON 6/6, (RMS-01).
2. COLOR: YELLOW.
 COLOR BLACK AVAILABLE BY SPECIAL ORDER.
 TO ORDER, ADD "BK" TO THE END OF PART NO.

F	SEE CO 200570 FOR CHANGES	SK 08.04.10	TITLE: WIRE TIE HOLDER						DWG IN IN (MM)	
E	SEE ECN #1188 FOR CHANGES	SK 06.29.06								
D	SEE ECN #1124 FOR CHANGES	SK 01.24.06								
C	UPDATED NOTES AND CHANGED FILE NO.	SM 06.12.02	TOLERANCES UNLESS NOTED	FILE # FTH-22	DWN: P.B.	APP:	FINAL			
B	CABLE TIE NOTE UPDATED TO GRAPH	JL 01.04.00	.XX=±.010	MAT'L: SEE NOTES	DT: 06-09-94	DT:	PART #			
A	NOTE 3 ADDED, DIM .196 WAS .202, DIM 3/4 WAS .74, DIM .06 WAS .12, DIM .12 ADDED ISO. ADDED; P/N FTH-22-01 WAS FTH-22	PB 08.01.94	.XXX=±.005	RE: RICHCO, INC.	RICHCO INC. PO BOX 804238, CHICAGO, 60680 (773) 539-4060		FTH-22-01			PRINT TYPE
REV	DESCRIPTION	ENGR DATE	FRAC=±1/64							CA
			ANG=±1°							