



Chipsmall Limited consists of a professional team with an average of over 10 year of expertise in the distribution of electronic components. Based in Hongkong, we have already established firm and mutual-benefit business relationships with customers from,Europe,America and south Asia,supplying obsolete and hard-to-find components to meet their specific needs.

With the principle of “Quality Parts,Customers Priority,Honest Operation,and Considerate Service”,our business mainly focus on the distribution of electronic components. Line cards we deal with include Microchip,ALPS,ROHM,Xilinx,Pulse,ON,Everlight and Freescale. Main products comprise IC,Modules,Potentiometer,IC Socket,Relay,Connector.Our parts cover such applications as commercial,industrial, and automotives areas.

We are looking forward to setting up business relationship with you and hope to provide you with the best service and solution. Let us make a better world for our industry!



Contact us

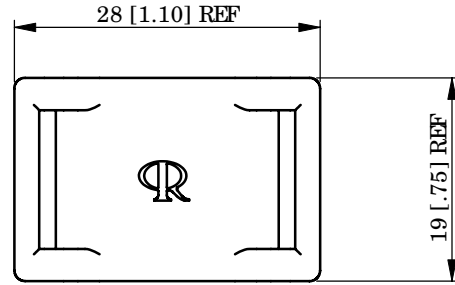
Tel: +86-755-8981 8866 Fax: +86-755-8427 6832

Email & Skype: info@chipsmall.com Web: www.chipsmall.com

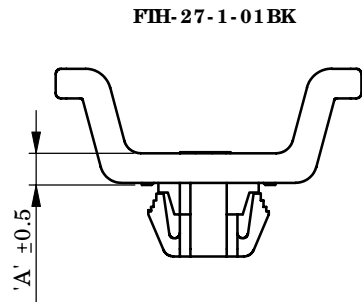
Address: A1208, Overseas Decoration Building, #122 Zhenhua RD., Futian, Shenzhen, China



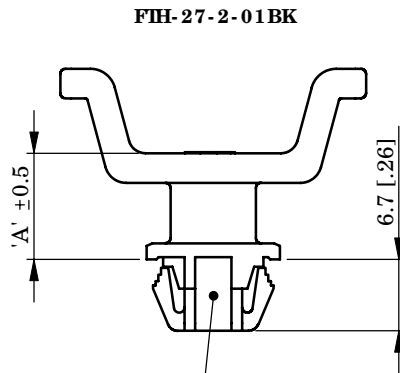
REV.	MODIFICATION.	DATE	DRN
01	SALES DRAWING	05/01/09	PH
02	CO 2010548	04/02/09	PH
03	CO 2010788	26/08/09	MT



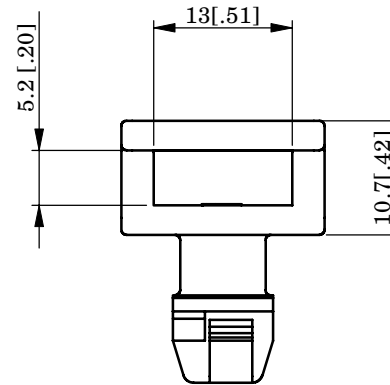
FIH-27-1-01BK



FIH-27-1-01BK



FIH-27-2-01BK



FIH-27-2-01BK

ALTERNATE UNITS FOR REFERENCE ONLY

SNAP LOCKS INTO A $9.5 \pm 0.08 [3.74 \pm .003]$ SQUARE HOLE THROUGH A $0.8 - 2.0 [0.031 - .078]$ THICK PANEL

PART NUMBER	'A' ± 0.5 DIMENSION
FIH-27-1-01BK	3 [.12]
FIH-27-2-01BK	10 [.39]

Available in UL94 V-0 material by special order.
To order, replace -01 with -19.

INFORMATION CONTAINED IN THIS DOCUMENT IS CONFIDENTIAL TO RICHCO INTERNATIONAL Co., Ltd. AND MAY NOT BE DISCLOSED OR REPRODUCED IN WHOLE OR PART WITHOUT THEIR WRITTEN CONSENT

RIC HCO, INC.
WWW.RICHCO-INC.COM

ALL DIMENSIONS IN mm
GENERAL TOLERANCES ± 0.25
UNLESS OTHERWISE STATED
1 DECIMAL PLACE \pm
2 DECIMAL PLACES \pm
ANGULAR $\pm 1^\circ$

THIRD ANGLE

MATERIAL: NYLON 6/6 UL94 V-2 (RMS-01) COLOUR: BLACK

DESCRIPTION: FLAT TIE CABLE HOLDER PART No.: SEE TABLE

DRG No: 09-002 NPR No: FN08-0005 SHEET SIZE A4

DRN PH	DATE 05/01/09	CHKD TC	DATE 05/01/09	SCALE NTS	SHEET No. 1 OF 1
-----------	------------------	------------	------------------	--------------	---------------------