



Chipsmall Limited consists of a professional team with an average of over 10 year of expertise in the distribution of electronic components. Based in Hongkong, we have already established firm and mutual-benefit business relationships with customers from,Europe,America and south Asia,supplying obsolete and hard-to-find components to meet their specific needs.

With the principle of “Quality Parts,Customers Priority,Honest Operation,and Considerate Service”,our business mainly focus on the distribution of electronic components. Line cards we deal with include Microchip,ALPS,ROHM,Xilinx,Pulse,ON,Everlight and Freescale. Main products comprise IC,Modules,Potentiometer,IC Socket,Relay,Connector.Our parts cover such applications as commercial,industrial, and automotives areas.

We are looking forward to setting up business relationship with you and hope to provide you with the best service and solution. Let us make a better world for our industry!



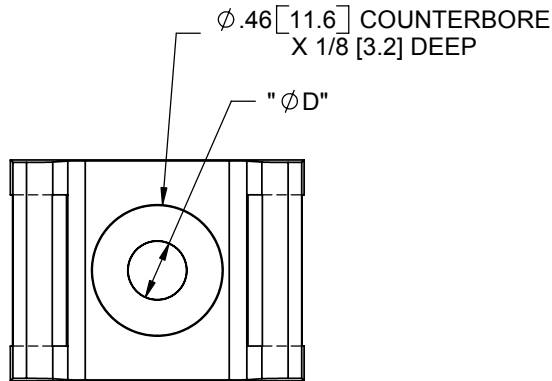
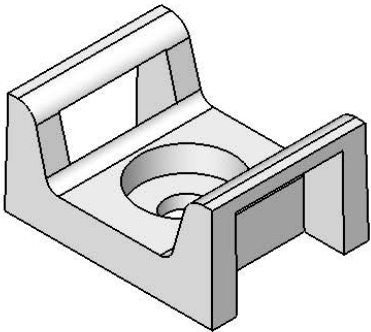
Contact us

Tel: +86-755-8981 8866 Fax: +86-755-8427 6832

Email & Skype: info@chipsmall.com Web: www.chipsmall.com

Address: A1208, Overseas Decoration Building, #122 Zhenhua RD., Futian, Shenzhen, China





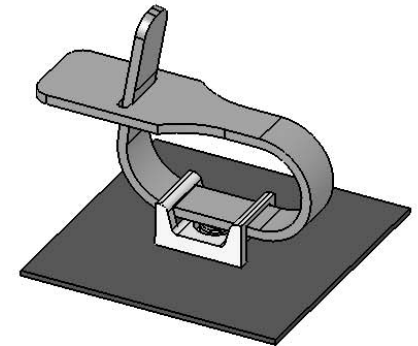
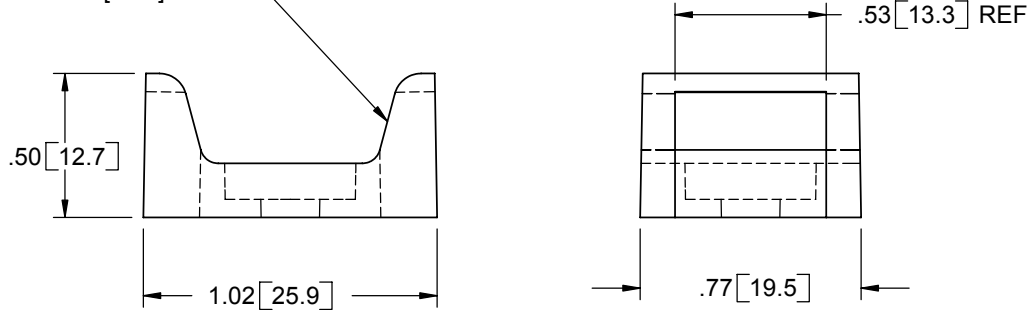
PART NO.	DIA. "D"	MOUNTING SCREW
FTH-27-RS-01	.205 [5.2]	#10 [M5] SCREW OR RIVETS
FTH-27-12-01	.230 [5.8]	#10 [M5] & #12 [M5] SCREWS

(USE PAN HEAD OD BINDER HEAD SCREWS)

MOUNTING RIVETS FOR FTH-27-RS

USE RIVET NO.	HOLE DIA. (CHASSIS)	FOR PANEL THICKNESS RANGE
SR-5055	.201 [5.1]	.035-.075 [0.9-1.9]
SR-5065	.201 [5.1]	.075-.114 [1.9-2.9]
SR-5075	.201 [5.1]	.114-.154 [2.9-3.9]
SR-5085	.201 [5.1]	.154-.193 [3.9-4.9]
SR-5095	.201 [5.1]	.193-.232 [4.9-5.9]
SR-5105	.201 [5.1]	.232-.272 [5.9-6.9]

ACCOMODATES "RKW" SERIES TIES
UP TO 1/2 [12.7] WIDE



- NOTES:
 1. MATERIAL: NYLON 6/6 UL 94 V-2 (RMS-01).
 2. MATERIAL: NYLON 6/6 UL 94 V-0 (RMS-19),
 AVAILABLE BY SPECIAL ORDER ONLY.
 TO ORDER USE P/N: FTH-27-XX-19.
 3. COLOR: NATURAL.

TITLE: FLAT TIE HOLDER					DWG IN IN [MM]	
CREATED USING SOLIDWORKS	FILE #: FTH-27	DWN: SK	APP: -	FINAL		
TOLERANCES UNLESS NOTED XX=±.010 XXX=±.005 FRAC.=±1/64 ANG.=±1°	SHEET: 1 OF 1	SHEET SIZE: A	DT: 11/02/05	CHKD: -	PART #	PRINT TYPE
REV.	DESCRIPTION	ENGR.	DATE	RE: RICHCO, INC.	SEE TABLE	CA
D	COMPLETELY REDRAWN, SEE ECN #1090	SK	11/02/05	RICHCO, INC. ENG@RICHCO-INC.COM (773) 539-4060		
-	SEE ENGINEERING FOR REV A-C	-	-			