



Chipsmall Limited consists of a professional team with an average of over 10 year of expertise in the distribution of electronic components. Based in Hongkong, we have already established firm and mutual-benefit business relationships with customers from,Europe,America and south Asia,supplying obsolete and hard-to-find components to meet their specific needs.

With the principle of “Quality Parts,Customers Priority,Honest Operation,and Considerate Service”,our business mainly focus on the distribution of electronic components. Line cards we deal with include Microchip,ALPS,ROHM,Xilinx,Pulse,ON,Everlight and Freescale. Main products comprise IC,Modules,Potentiometer,IC Socket,Relay,Connector.Our parts cover such applications as commercial,industrial, and automotives areas.

We are looking forward to setting up business relationship with you and hope to provide you with the best service and solution. Let us make a better world for our industry!



Contact us

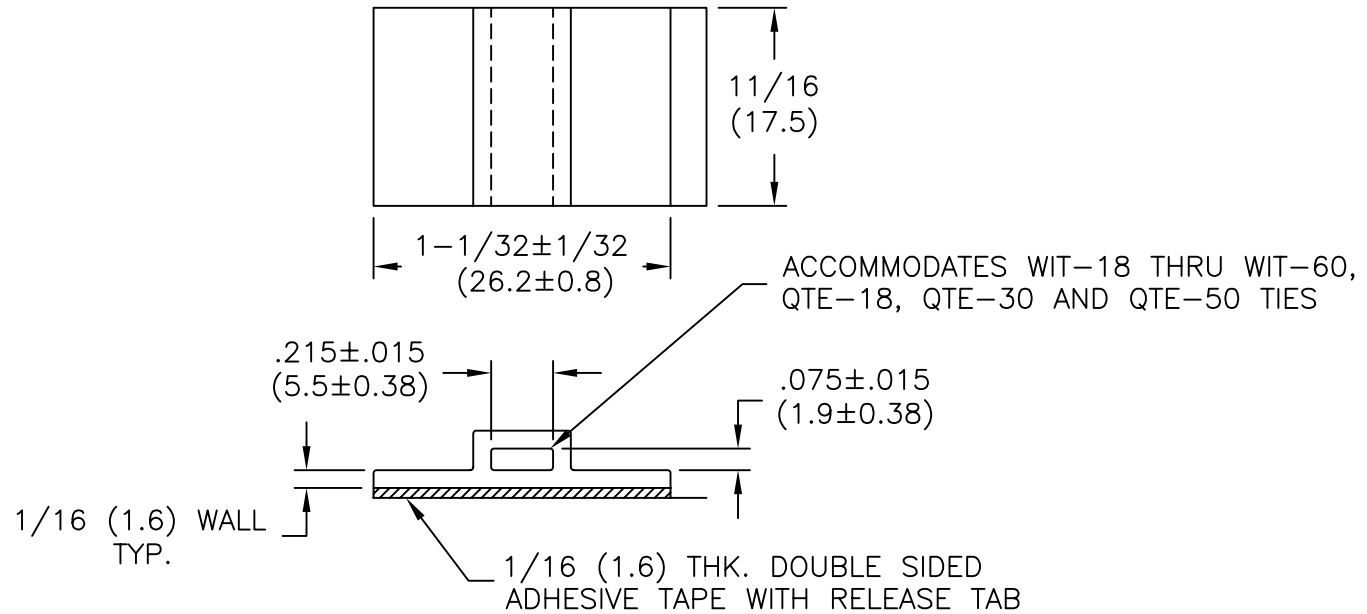
Tel: +86-755-8981 8866 Fax: +86-755-8427 6832

Email & Skype: info@chipsmall.com Web: www.chipsmall.com

Address: A1208, Overseas Decoration Building, #122 Zhenhua RD., Futian, Shenzhen, China



PART NO.	
W/TAPE	FTH-2A-RT
W/O TAPE	FTH-2



NOTES:

1. MAT'L: NORYL (RMS-05).
2. COLOR: WHITE.
3. ACRYLYC ADHESIVE TAPE (RMS-15), WHITE LINER.

TITLE: WIRE TIE HOLDER			DWG IN IN (MM)		FINAL			
E	SEE ECN #1124 FOR CHANGES	SK 01.24.06	TOLERANCES UNLESS NOTED	FILE # FTH-2	DWN: P.B.	APP:	PART #	
D	UPDATED MAT'L NOTES AND CHANGED FILE NO.	SM 03.18.02	.XX=±.010	MAT'L: SEE NOTES	DT: 06/27/94	DT:	SEE TABLE	
C	ALL NOTES UPDATED	J.L. 12.22.99	.XXX=±.005	RE: RICHCO, INC.	RICHCO INC.		PRINT TYPE	
B	NOTE 2 ADDED	PB 07.26.95	FRAC=±1/64	PO BOX 804238, CHICAGO, 60680		CA		
A	CONVERTED TO ACAD	PB 06.27.94	ANG=±1'	(773) 539-4060				
REV	DESCRIPTION	ENGR DATE						