



Chipsmall Limited consists of a professional team with an average of over 10 year of expertise in the distribution of electronic components. Based in Hongkong, we have already established firm and mutual-benefit business relationships with customers from,Europe,America and south Asia,supplying obsolete and hard-to-find components to meet their specific needs.

With the principle of “Quality Parts,Customers Priority,Honest Operation,and Considerate Service”,our business mainly focus on the distribution of electronic components. Line cards we deal with include Microchip,ALPS,ROHM,Xilinx,Pulse,ON,Everlight and Freescale. Main products comprise IC,Modules,Potentiometer,IC Socket,Relay,Connector.Our parts cover such applications as commercial,industrial, and automotives areas.

We are looking forward to setting up business relationship with you and hope to provide you with the best service and solution. Let us make a better world for our industry!



## Contact us

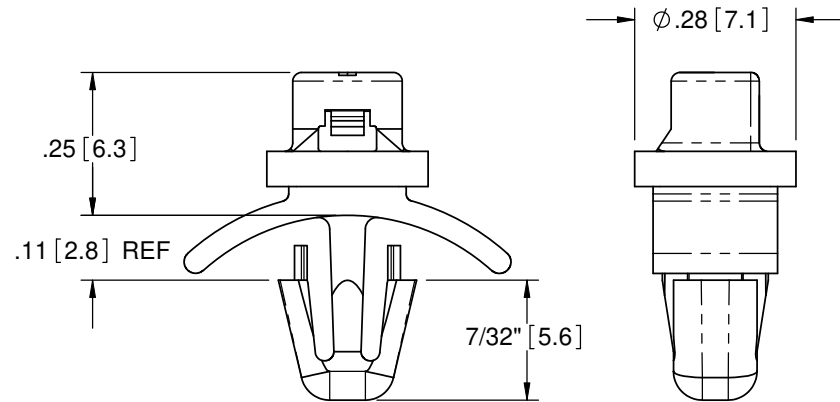
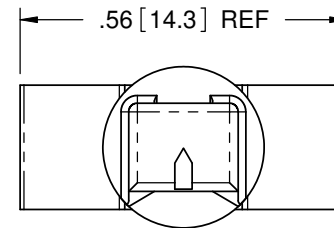
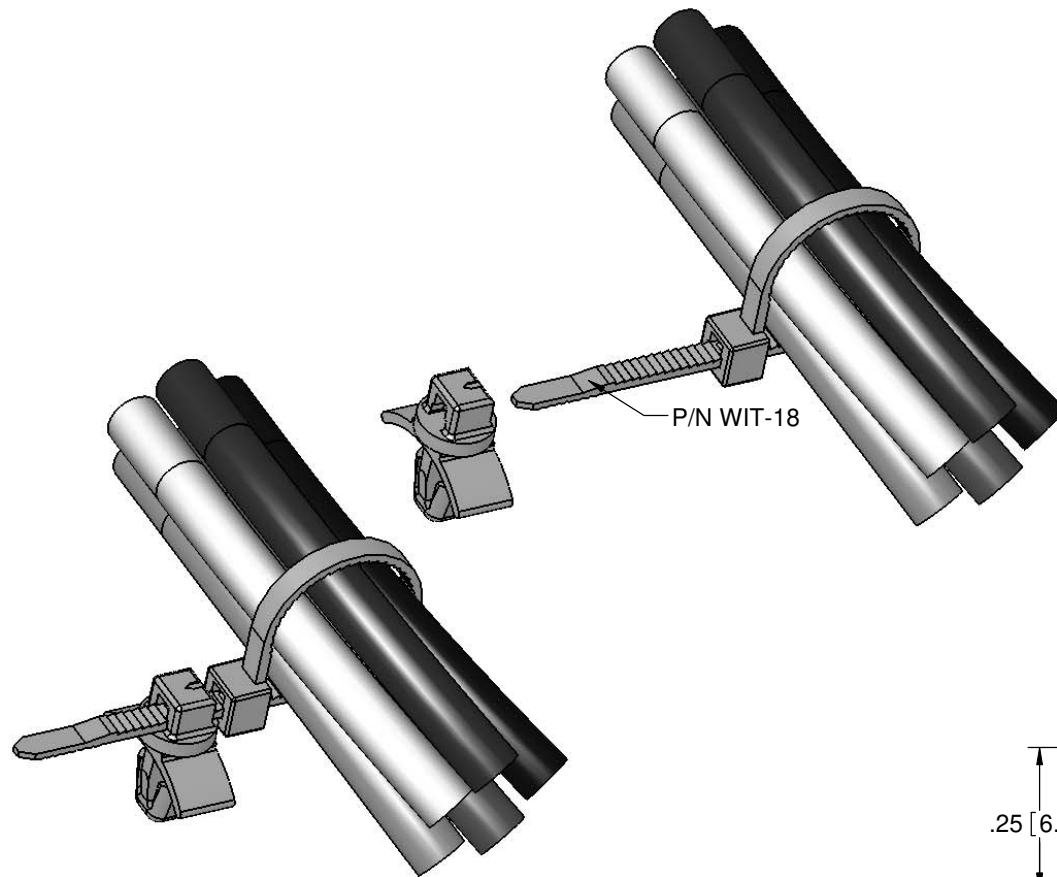
Tel: +86-755-8981 8866 Fax: +86-755-8427 6832

Email & Skype: info@chipsmall.com Web: www.chipsmall.com

Address: A1208, Overseas Decoration Building, #122 Zhenhua RD., Futian, Shenzhen, China



PART NUMBER	MATERIAL
FTH-30-01	NYLON 6/6 UL 94 V-2 (RMS-01)
FTH-30-19	NYLON 6/6 UL 94 V-0 (RMS-19)



- NOTES:  
 1. TO SNAP LOCK IN A .187+/- .003 (4.76+/- .08) DIAMETER HOLE  
 IN A .031-.078 [0.79-1.98] THICK PANEL  
 2. TO BE USED WITH RICHCO WIT-18 CABLE TIES, SOLD SEPERATELY  
 3. PART IS DESIGNED IN INCHES.  
 (MILLIMETER) CONVERSION IS FOR REFERENCE ONLY

REV.			TITLE: HOOK MOUNT TIE HOLDER ON ARROWHEAD				DWG IN IN [MM]		FINAL	
F	SEE CO 200295 FOR CHANGES	SK	12.16.08	CREATED USING SOLIDWORKS	FILE #: FTH-30	DWN: D.J.Z.	APP: D.J.Z.			
E	SEE CO 200155 FOR CHANGES	SK	04/07/08	TOLERANCES UNLESS NOTED	SHEET: 1 OF 1	SHEET SIZE: A	DT: 02/16/2006	CHKD: -	PART #	
D	SEE CO 200148 FOR CHANGES	SK	04/01/08	.XX=±.010	RE: RICHCO INC.		RICHCO, INC.		FTH-30	
C	SEE CO 200046 FOR CHANGES	SK	10/02/07	.XXX=±.005	--		ENG@RICHCO-INC.COM			CA
B	SEE ECN #1280 FOR CHANGES	SK	02/01/07	FRAC.=±1/64			(773) 539-4060			
A	RELEASED FOR PRODUCTION	S.J.	02/16/06	ANG.=±1°						
REV.	DESCRIPTION	ENGR.	DATE							