



Chipsmall Limited consists of a professional team with an average of over 10 year of expertise in the distribution of electronic components. Based in Hongkong, we have already established firm and mutual-benefit business relationships with customers from,Europe,America and south Asia,supplying obsolete and hard-to-find components to meet their specific needs.

With the principle of “Quality Parts,Customers Priority,Honest Operation,and Considerate Service”,our business mainly focus on the distribution of electronic components. Line cards we deal with include Microchip,ALPS,ROHM,Xilinx,Pulse,ON,Everlight and Freescale. Main products comprise IC,Modules,Potentiometer,IC Socket,Relay,Connector.Our parts cover such applications as commercial,industrial, and automotives areas.

We are looking forward to setting up business relationship with you and hope to provide you with the best service and solution. Let us make a better world for our industry!



## Contact us

Tel: +86-755-8981 8866 Fax: +86-755-8427 6832

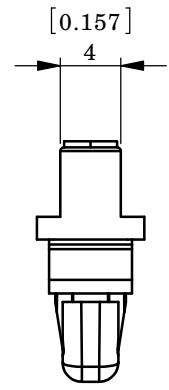
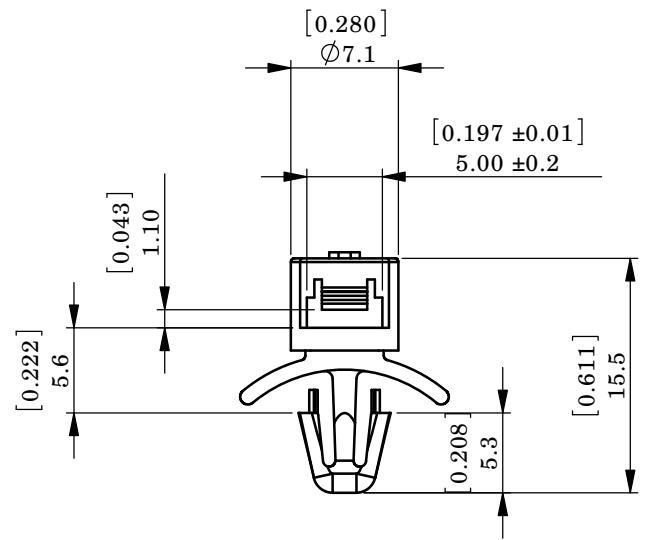
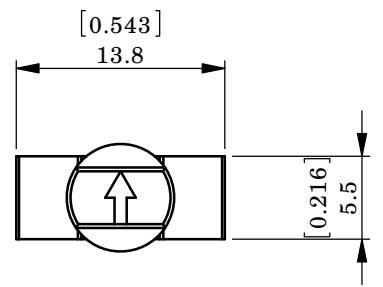
Email & Skype: info@chipsmall.com Web: www.chipsmall.com

Address: A1208, Overseas Decoration Building, #122 Zhenhua RD., Futian, Shenzhen, China



A B C D E F

REV	MODIFICATION	DATE	DRN
01	PRODUCTION RELEASED	21/08/08	IC
02	CO2010391	15/09/08	S.F
03	CO2010467	10/11/08	S.F
04	CO2010524	06/01/09	S.F
05	CO2011056	16/02/11	S.F



ALTERNATE UNITS FOR REFERENCE ONLY

INFORMATION CONTAINED IN THIS DOCUMENT IS CONFIDENTIAL TO RICHCO INTERNATIONAL Co. Ltd. AND MAY NOT BE DISCLOSED OR REPRODUCED IN WHOLE OR PART WITHOUT THEIR WRITTEN CONSENT.

<b>RICHCO, INC.</b> <b>WWW.RICHCO-INC.COM</b>	ALL DIMENSIONS IN mm GENERAL TOLERANCES ±0.25 UNLESS OTHERWISE STATED 1 DECIMAL PLACE ±0.25 2 DECIMAL PLACES ±0.10 ANGULAR ±1°	THIRD ANGLE 
--------------------------------------------------	-----------------------------------------------------------------------------------------------------------------------------------------------	-----------------

MATERIAL: UL94 V-2 NYLON 6/6, RMS-01* COLOUR: NATURAL			
PART No.	HOLE Ø	PANEL THICKNESS	CABLE TIE ACCEPTED
FIH-30-1-01	4.76[0.187] ± 0.08	0.8[0.031] - 2[.078]	RG-211/311, -212/312, -213/313, -215/315, -216/316, -217/317, -218/318, -219/319, -220/320
*AVAILABLE IN UL94 V-0 BY SPECIAL ORDER. TO ORDER REPLACE-01 WITH -19.			

MATERIAL: NYLON 6/6 UL94 V2 (RMS-01)		COLOUR: NATURAL	
DESCRIPTION: FLAT TIE HOLDER		PART No: FIH-30-1-01	
DRG No: 08-033	NPR No: FN08-0007	Mass:(g) 0.4	SHEET SIZE A4
DRN IC	DATE 02/05/08	CHKD S.F.	DATE 15/09/08
SCALE 2:1		SHEET No. 1 OF 1	

A B C D E F FORM No. 0145/02