



Chipsmall Limited consists of a professional team with an average of over 10 year of expertise in the distribution of electronic components. Based in Hongkong, we have already established firm and mutual-benefit business relationships with customers from,Europe,America and south Asia,supplying obsolete and hard-to-find components to meet their specific needs.

With the principle of “Quality Parts,Customers Priority,Honest Operation,and Considerate Service”,our business mainly focus on the distribution of electronic components. Line cards we deal with include Microchip,ALPS,ROHM,Xilinx,Pulse,ON,Everlight and Freescale. Main products comprise IC,Modules,Potentiometer,IC Socket,Relay,Connector.Our parts cover such applications as commercial,industrial, and automotives areas.

We are looking forward to setting up business relationship with you and hope to provide you with the best service and solution. Let us make a better world for our industry!



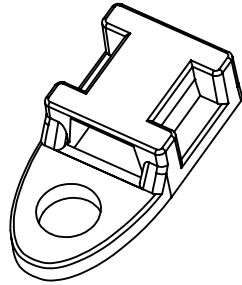
Contact us

Tel: +86-755-8981 8866 Fax: +86-755-8427 6832

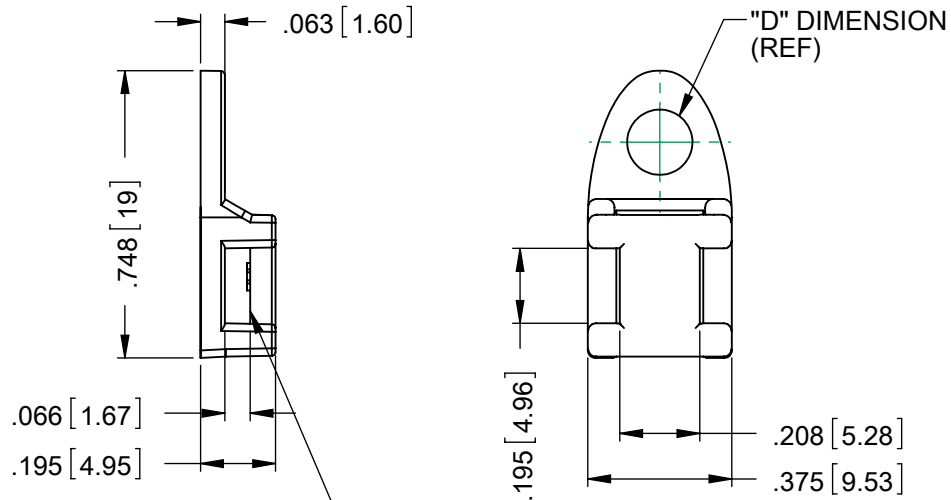
Email & Skype: info@chipsmall.com Web: www.chipsmall.com

Address: A1208, Overseas Decoration Building, #122 Zhenhua RD., Futian, Shenzhen, China





PART NO.	"D" DIMENSION	REC. FAST.
FTH-34-01	.170 [4.30]	#8 (M4) SCREW
FTH-35-01	.200 [5.10]	#10 (M5) SCREW



ACCOMMODATES WIT-18,WIT-30,
WIT-40,WIT-50,WIT-60 , QTE-18 , QTE-30 AND QTE-50 TIES

NOTES:

- 1.MATERIAL: NYLON 6/6 UL 94 V-2 (RMS-01).
-NYLON 6/6 UL 94 V-0 (RMS-19),
AVAILABLE BY SPECIAL ORDER ONLY.
TO ORDER REPLACE "-01" WITH "-19"
- 2.COLOR: NATURAL
- 3.ALTERNATE UNITS FOR REFERENCE ONLY

REV.	DESCRIPTION	ENGR.	DATE
A	RELEASED FOR PRODUCTION	T.Y	10.17.07

TITLE: TIE ANCHOR MOUNT						DWG IN IN [MM]	
CREATED USING SOLIDWORKS	FILE #: FTH-34(35) CA	DWN: T.Y	APP: W.H	FINAL			
TOLERANCES UNLESS NOTED .XXX=±.010 FRAC.=±1/32 ANG.=±3°	SHEET: 1 OF 1	SHEET SIZE: A	DT: 10.17.07	CHKD: J.T	PART #		PRINT TYPE
RE: RICHCO XIAMEN	RICHCO XIAMEN RICHCO_XIAMEN@RIHCO.CN (+86)592-6884500		SEE TABLE		CA		