



Chipsmall Limited consists of a professional team with an average of over 10 year of expertise in the distribution of electronic components. Based in Hongkong, we have already established firm and mutual-benefit business relationships with customers from,Europe,America and south Asia,supplying obsolete and hard-to-find components to meet their specific needs.

With the principle of “Quality Parts,Customers Priority,Honest Operation,and Considerate Service”,our business mainly focus on the distribution of electronic components. Line cards we deal with include Microchip,ALPS,ROHM,Xilinx,Pulse,ON,Everlight and Freescale. Main products comprise IC,Modules,Potentiometer,IC Socket,Relay,Connector.Our parts cover such applications as commercial,industrial, and automotives areas.

We are looking forward to setting up business relationship with you and hope to provide you with the best service and solution. Let us make a better world for our industry!



## Contact us

Tel: +86-755-8981 8866 Fax: +86-755-8427 6832

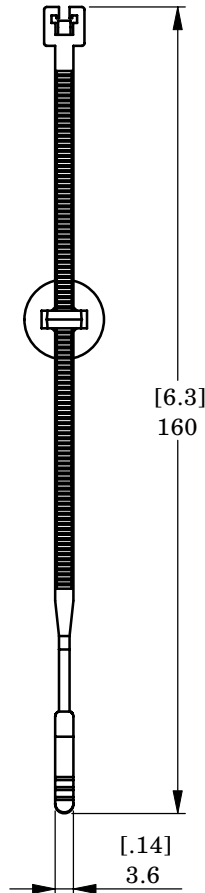
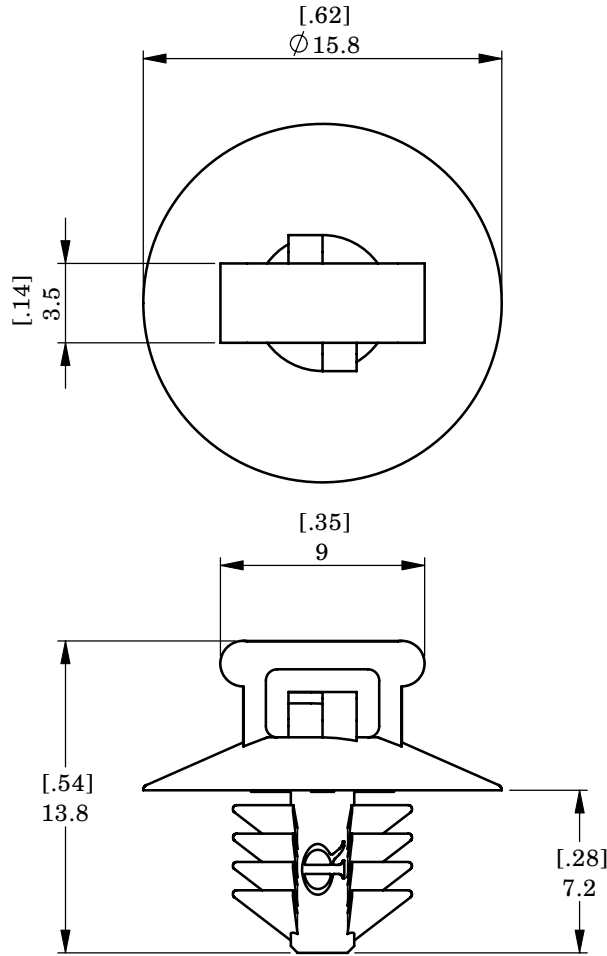
Email & Skype: info@chipsmall.com Web: www.chipsmall.com

Address: A1208, Overseas Decoration Building, #122 Zhenhua RD., Futian, Shenzhen, China

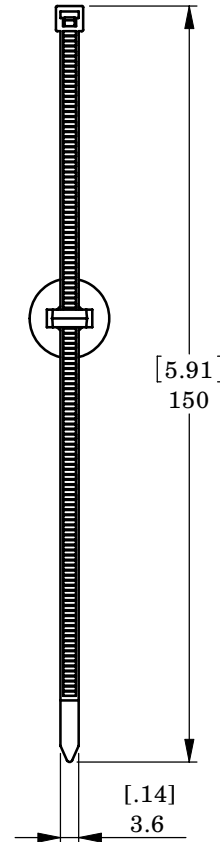


ASSEMBLIES AVAILABLE BY SPECIAL ORDER - NAFTA REGION ONLY.

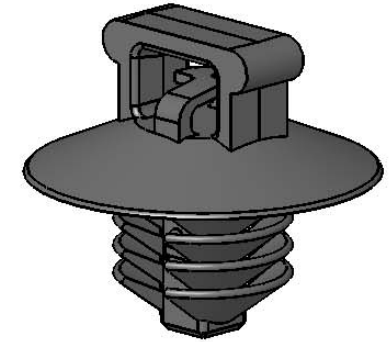
REV.	MODIFICATION.	DATE	DRN
01	PRODUCTION RELEASE	29/09/08	MT
02	CO2010497	03/12/08	SF



FTH-36-2-ASS



FTH-36-1-ASS



ALTERNATE UNITS FOR REFERENCE ONLY

INFORMATION CONTAINED IN THIS DOCUMENT IS CONFIDENTIAL TO RICHCO INTERNATIONAL Co. Ltd. AND MAY NOT BE DISCLOSED OR REPRODUCED IN WHOLE OR PART WITHOUT THEIR WRITTEN CONSENT.

METRIC PRIMARY UNITS: mm  
 IMPERIAL SECONDARY UNITS: [inches]  
 GENERAL TOLERANCES: ±0.25 [0.010]  
 UNLESS OTHERWISE STATED  
 1 DECIMAL PLACE ±  
 2 DECIMAL PLACES ±  
 ANGULAR ±1°

THIRD ANGLE

MATERIAL:		COLOUR:	
NYLON 6/6 UL94 V-2 (RMS-01)		BLACK	
DESCRIPTION:		PART No:	
FIR TREE CABLE TIE HOLDER		SEE TABLE	
DRG No:	NPR No:	Mass:(g)	SHEET SIZE
08-031	2004-429	0.35	A4
DRN	DATE	CHKD	DATE
MT	23/04/08	BO	21/05/08
SCALE	SHEET No.		
NTS	1 OF 1		

PART NUMBER	MIN LOOP TENSILE STRENGTH (kg)	'L' LENGTH REF	MAX BUNDLE Ø	PANEL HOLE Ø	PANEL THICKNESS	COLOUR AND MATERIAL	
						CABLE TIE	CABLE TIE HOLDER
FTH-36-01BK	—	—	—	6.5-7 [.26-.28]	.8-3 [.03-.12]	—	NYLON 6/6 RMS-01, BLACK
FTH-36-1-ASS	18	150 [5.91]	39 [1.54]			NYLON 6/6 RMS-01, BLACK	NYLON 6/6 RMS-01, BLACK
FTH-36-2-ASS	13	160 [6.3]	38 [1.5]			UVB NYLON 6/6 RMS-221, BLACK	NYLON 6/6 RMS-47, BLACK

OTHER COLOURS AND MATERIALS AVAILABLE BY SPECIAL ORDER