



Chipsmall Limited consists of a professional team with an average of over 10 year of expertise in the distribution of electronic components. Based in Hongkong, we have already established firm and mutual-benefit business relationships with customers from,Europe,America and south Asia,supplying obsolete and hard-to-find components to meet their specific needs.

With the principle of "Quality Parts,Customers Priority,Honest Operation,and Considerate Service",our business mainly focus on the distribution of electronic components. Line cards we deal with include Microchip,ALPS,ROHM,Xilinx,Pulse,ON,Everlight and Freescale. Main products comprise IC,Modules,Potentiometer,IC Socket,Relay,Connector.Our parts cover such applications as commercial,industrial, and automotives areas.

We are looking forward to setting up business relationship with you and hope to provide you with the best service and solution. Let us make a better world for our industry!



Contact us

Tel: +86-755-8981 8866 Fax: +86-755-8427 6832

Email & Skype: info@chipsmall.com Web: www.chipsmall.com

Address: A1208, Overseas Decoration Building, #122 Zhenhua RD., Futian, Shenzhen, China



Introducing the **FTH-36 & 37** Cable Tie Holder, Fir Tree Mount

Features and Benefits

- Provides a secure grip in mounting hole
- Fir tree mount has low insertion force
- The cupped base covers the hole and can provide protection against contamination
- Allows pre-assembly of the cable tie into the holder and holds it in place

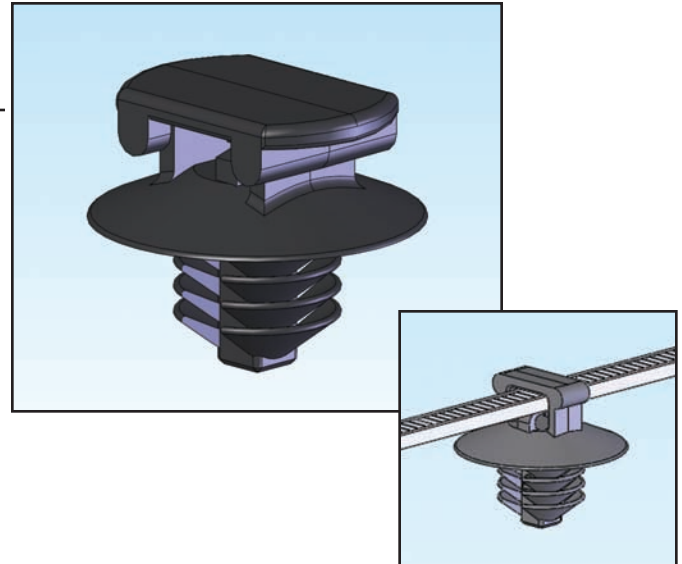


Fig. 1

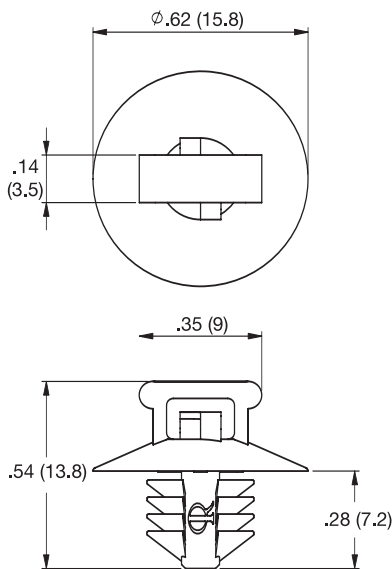
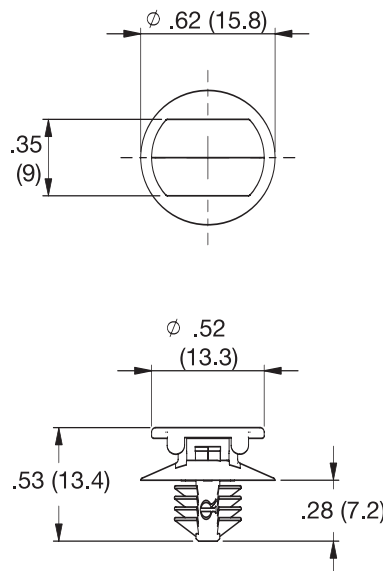


Fig. 2



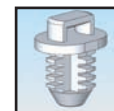
Markets

- Automotive
- Appliance
- Consumer Electronics
- Medical Equipment
- Security

Other Related Richco Product Solutions



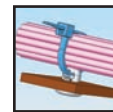
WIT



FTH-15



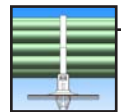
FTH-7



FTH-9



WITBH



WIT-30RCA

Material: Nylon 6/6, RMS-01* Color: Black				
Part No.	Standard Pack: 1,000 per bag			
	Hole Dia	Panel Thickness	Accepts Cable Ties	Fig
FTH-36-01BK	.26-.28 (6.5-7)	.03-.12 (.8-3)	WIT-18 thru -50 and QTE-18 thru 50	1
FTH-37-01BK				2

*Parts are available in UL94 V0 Material, RMS-19 by special order. To order, replace -01 with -19.

