



Chipsmall Limited consists of a professional team with an average of over 10 year of expertise in the distribution of electronic components. Based in Hongkong, we have already established firm and mutual-benefit business relationships with customers from,Europe,America and south Asia,supplying obsolete and hard-to-find components to meet their specific needs.

With the principle of “Quality Parts,Customers Priority,Honest Operation,and Considerate Service”,our business mainly focus on the distribution of electronic components. Line cards we deal with include Microchip,ALPS,ROHM,Xilinx,Pulse,ON,Everlight and Freescale. Main products comprise IC,Modules,Potentiometer,IC Socket,Relay,Connector.Our parts cover such applications as commercial,industrial, and automotives areas.

We are looking forward to setting up business relationship with you and hope to provide you with the best service and solution. Let us make a better world for our industry!



## Contact us

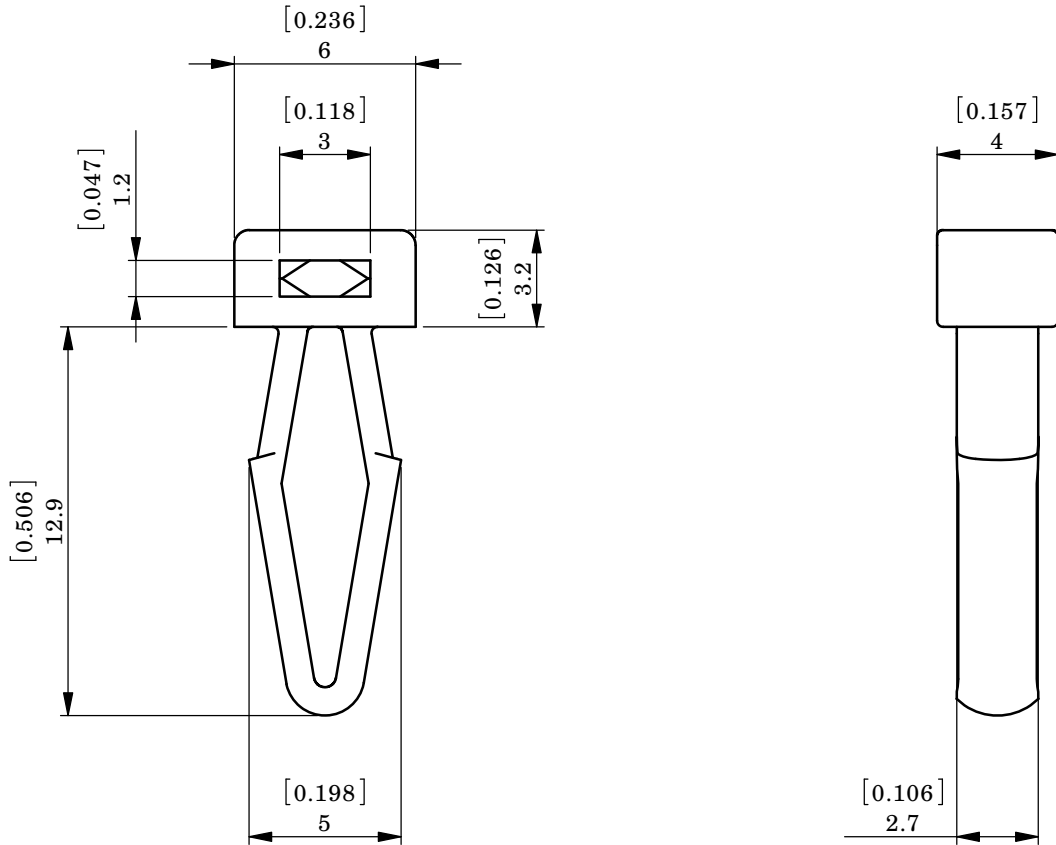
Tel: +86-755-8981 8866 Fax: +86-755-8427 6832

Email & Skype: info@chipsmall.com Web: www.chipsmall.com

Address: A1208, Overseas Decoration Building, #122 Zhenhua RD., Futian, Shenzhen, China



REV.	MODIFICATION.	DATE	DRN
01	PRODUCTION RELEASE	01/08/08	OW
02	CO-2010448	02/11/08	OW
03	CO-2011064	17/02/11	SF



INFORMATION CONTAINED IN THIS DOCUMENT IS CONFIDENTIAL TO RICHCO INTERNATIONAL Co., Ltd. AND MAY NOT BE DISCLOSED OR REPRODUCED IN WHOLE OR PART WITHOUT THEIR WRITTEN CONSENT.

<b>RICHCO, INC.</b> WWW.RICHCO-INC.COM	ALL DIMENSIONS IN mm GENERAL TOLERANCES ±0.25 UNLESS OTHERWISE STATED 1 DECIMAL PLACE ± 2 DECIMAL PLACES ±	THIRD ANGLE 
	ANGULAR ±1°	

NYLON 6/6 UL94 V-2(RMS-01) COLOUR: NATURAL	NYLON 6/6 UL94 V-0(RMS-19) COLOUR: NATURAL	CABLE TIES ACCEPTED	PANEL THICKNESS	Ø HOLE SIZE
FTH-39-1-01	FTH-39-1-19	ALL RG CABLE TIES UP TO SIZE RG-205/305	1- 4.5[.0039-.177]	3.2[.126]
BLACK COLOUR AVAILABLE BY SPECIAL ORDER				

MATERIAL:		SEE TABLE		COLOUR:		SEE TABLE	
DESCRIPTION:				PART No:			
FLAT TIE HOLDER				SEE TABLE			
DRG No:		NPR No:		Mass:(g)		SHEET SIZE	
08-075		FR08-0032		0.2		A4	
DRN	DATE	CHKD	DATE	SCALE	SHEET No.		
OW	30/04/08	BO	31/07/08	NTS	1 OF 1		