



Chipsmall Limited consists of a professional team with an average of over 10 year of expertise in the distribution of electronic components. Based in Hongkong, we have already established firm and mutual-benefit business relationships with customers from,Europe,America and south Asia,supplying obsolete and hard-to-find components to meet their specific needs.

With the principle of “Quality Parts,Customers Priority,Honest Operation,and Considerate Service”,our business mainly focus on the distribution of electronic components. Line cards we deal with include Microchip,ALPS,ROHM,Xilinx,Pulse,ON,Everlight and Freescale. Main products comprise IC,Modules,Potentiometer,IC Socket,Relay,Connector.Our parts cover such applications as commercial,industrial, and automotives areas.

We are looking forward to setting up business relationship with you and hope to provide you with the best service and solution. Let us make a better world for our industry!



Contact us

Tel: +86-755-8981 8866 Fax: +86-755-8427 6832

Email & Skype: info@chipsmall.com Web: www.chipsmall.com

Address: A1208, Overseas Decoration Building, #122 Zhenhua RD., Futian, Shenzhen, China



PART NO.	MATERIAL	COLOR	ADHESIVE
FTH-8-01	NYLON 6/6 (RMS-01)	NATURAL	NONE
FTH-8A-RT			ACRYLIC TAPE (RMS-15), WHITE LINER

NOTES:

1. NYLON 6/6 (RMS-01),
 COLOR: NATURAL,
 RUBBER ADHESIVE TAPE (RMS-102), BLUE LINER,
 AVAILABLE BY SPECIAL ORDER ONLY;
 TO ORDER USE P/N FTH-8A1-RT.

FLAME RETARDANT NYLON (RMS-19),
 COLOR: NATURAL,
 ACRYLIC ADHESIVE TAPE (RMS-15), WHITE LINER,
 AVAILABLE BY SPECIAL ORDER ONLY;
 TO ORDER USE P/N FTH-8A-RT-19
 OR FTH-8-19 (WITHOUT TAPE).

UV STABILIZED NYLON (RMS-46),
 COLOR: BLACK,
 ACRYLIC ADHESIVE TAPE (RMS-15), WHITE LINER,
 AVAILABLE BY SPECIAL ORDER ONLY;
 TO ORDER USE P/N FTH-8A-RT-UVB
 OR FTH-8-UVB (WITHOUT TAPE).

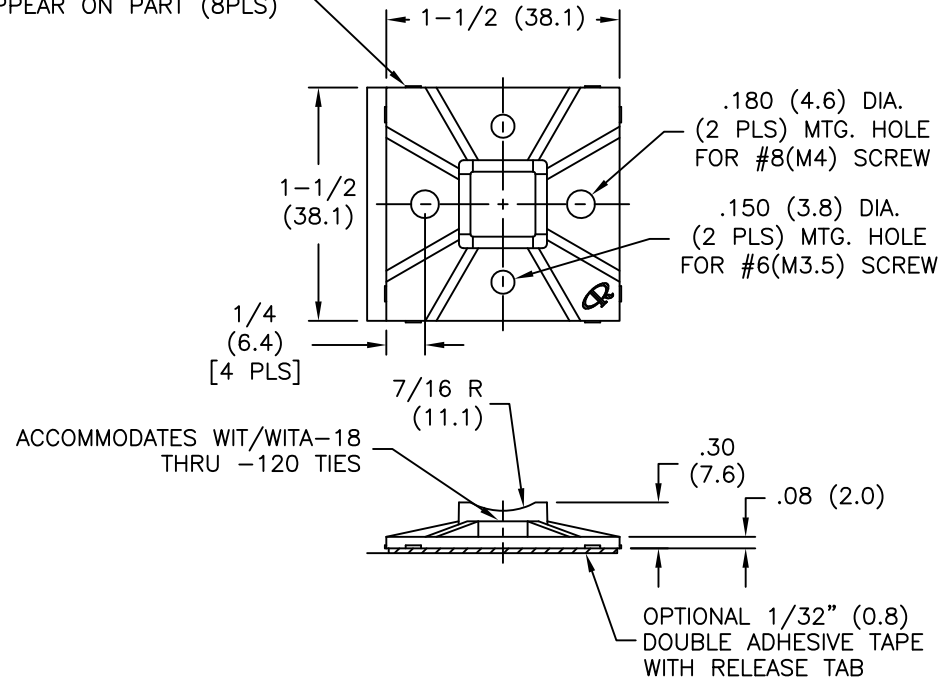
2. PACKAGING QUANTITIES ARE REFLECTED AS THE
 SUFFIX "-LETTER".

EXAMPLE: FTH-8-01-M FOR 1000 PCS.

-C = 100 PCS

-M = 1000 PCS

THESE BUMPS MAY NOT
 APPEAR ON PART (8PLS)



H	ADDED NOTE 2. SEE CO 200661	SK 05.12.11	TITLE: FLAT TIE HOLDER	FILE # FTH-8	DWN: P.B.	APP:	DWG IN IN (MM)	FINAL	PRINT TYPE
G	SEE CO 200570 FOR CHANGES	SK 08.04.10							
F	SEE CO 200248 FOR CHANGES	SK 10.30.08	TOLERANCES UNLESS NOTED .XX=±.010 .XXX=±.005 FRAC=±1/64 ANG=±1'	MAT'L: SEE NOTES	DT: 06-29-94	DT:	PART #	SEE TABLE	CA
E	SEE ECN #1124 FOR CHANGES	SK 01.24.06							
D	COMPLETELY RE-DRAWN & CHANGED FILE#	SM 10.18.01	RE: RICHCO, INC.	RICHCO INC. PO BOX 804238, CHICAGO, 60680 (773) 539-4060					
C	ADDED (RMS102) BY SPECIAL ORDER	J.L. 08.22.00							
B	MAT'L NOTES UPDATED	J.L. 01.10.00							
A	PART NO.'S REVERSED IN TABLE	MO 2/23/98							
REV	DESCRIPTION	ENGR DATE							