



Chipsmall Limited consists of a professional team with an average of over 10 year of expertise in the distribution of electronic components. Based in Hongkong, we have already established firm and mutual-benefit business relationships with customers from,Europe,America and south Asia,supplying obsolete and hard-to-find components to meet their specific needs.

With the principle of "Quality Parts,Customers Priority,Honest Operation,and Considerate Service",our business mainly focus on the distribution of electronic components. Line cards we deal with include Microchip,ALPS,ROHM,Xilinx,Pulse,ON,Everlight and Freescale. Main products comprise IC,Modules,Potentiometer,IC Socket,Relay,Connector.Our parts cover such applications as commercial,industrial, and automotives areas.

We are looking forward to setting up business relationship with you and hope to provide you with the best service and solution. Let us make a better world for our industry!



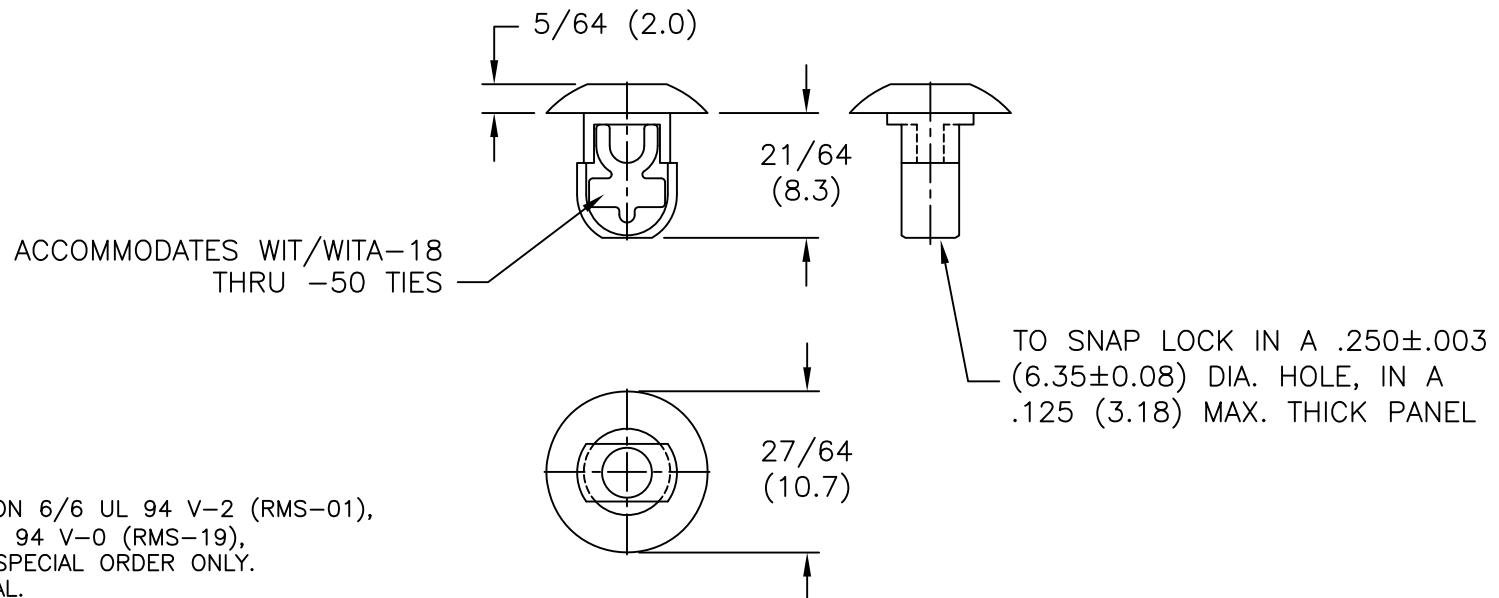
## Contact us

Tel: +86-755-8981 8866 Fax: +86-755-8427 6832

Email & Skype: info@chipsmall.com Web: www.chipsmall.com

Address: A1208, Overseas Decoration Building, #122 Zhenhua RD., Futian, Shenzhen, China





NOTES:

1. MATERIAL: NYLON 6/6 UL 94 V-2 (RMS-01), NYLON 6/6 UL 94 V-0 (RMS-19), AVAILABLE BY SPECIAL ORDER ONLY. COLOR: NATURAL.
2. MATERIAL: UV STABILIZED NYLON (RMS-46), COLOR BLACK. AVAILABLE BY SPECIAL ORDER. TO ORDER REPLACE "-01" WITH "-UVB"
3. PACKAGING QUANTITIES ARE REFLECTED AS THE SUFFIX "-LETTER".  
EXAMPLE: FTH-9-01-M FOR 1000 PCS.  
-C = 100 PCS  
-M = 1000 PCS

G	ADDED NOTE 3. SEE CO 200661	SK 05.12.11	TITLE: FLAT TIE HOLDER					DWG IN IN (MM)	
F	SEE CO 200570 FOR CHANGES	SK 08.04.10	FILE # FTH-9			DWN: P.B.		APP:	
E	SEE CO 200091 FOR CHANGES	SK 12.18.07	MAT'L: SEE NOTES			DT: 06-29-94		DT:	
D	SEE ECN #1124 FOR CHANGES	SK 01.24.06	RE: RICHCO, INC.			RICHCO INC.		PART #	
C	CHANGED FILE NO.	SM 05.17.02	TOLERANCES UNLESS NOTED .XX=±.010 .XXX=±.005 FRAC=±1/64 ANG=±1°			PO BOX 804238, CHICAGO, 60680		FTH-9-01	
B	FR NYLON (RMS-19) ADDED	J.L. 01.07.00				(773) 539-4060		PRINT TYPE	
A	CONVERTED TO ACAD	PB 06.29.94						CA	
REV	DESCRIPTION	ENGR DATE							