



Chipsmall Limited consists of a professional team with an average of over 10 year of expertise in the distribution of electronic components. Based in Hongkong, we have already established firm and mutual-benefit business relationships with customers from,Europe,America and south Asia,supplying obsolete and hard-to-find components to meet their specific needs.

With the principle of “Quality Parts,Customers Priority,Honest Operation,and Considerate Service”,our business mainly focus on the distribution of electronic components. Line cards we deal with include Microchip,ALPS,ROHM,Xilinx,Pulse,ON,Everlight and Freescale. Main products comprise IC,Modules,Potentiometer,IC Socket,Relay,Connector.Our parts cover such applications as commercial,industrial, and automotives areas.

We are looking forward to setting up business relationship with you and hope to provide you with the best service and solution. Let us make a better world for our industry!



Contact us

Tel: +86-755-8981 8866 Fax: +86-755-8427 6832

Email & Skype: info@chipsmall.com Web: www.chipsmall.com

Address: A1208, Overseas Decoration Building, #122 Zhenhua RD., Futian, Shenzhen, China



Product Specification

RoHS Compliant LC Universal Dust-Plug for Finisar SFP/SFP+ and SFF Products

FTLFLCDP1

PRODUCT FEATURES

- Prevents dust from contaminating RX and TX optical ports
- Minimizes ingress of aqueous solution into RX and TX optical ports
- Fits into any Finisar-LC SFP, SFF, SFP+ or XFP product
- RoHS compliant/lead-free
- Industrial storage temperature range: -40°C to 85°C



Finisar's FTLFLCDP1 dust plugs are designed for all Finisar SFF, SFP, XFP and SFP+ products with LC optical interfaces. They are made of solid polyurethane material and are RoHS compliant/lead-free.

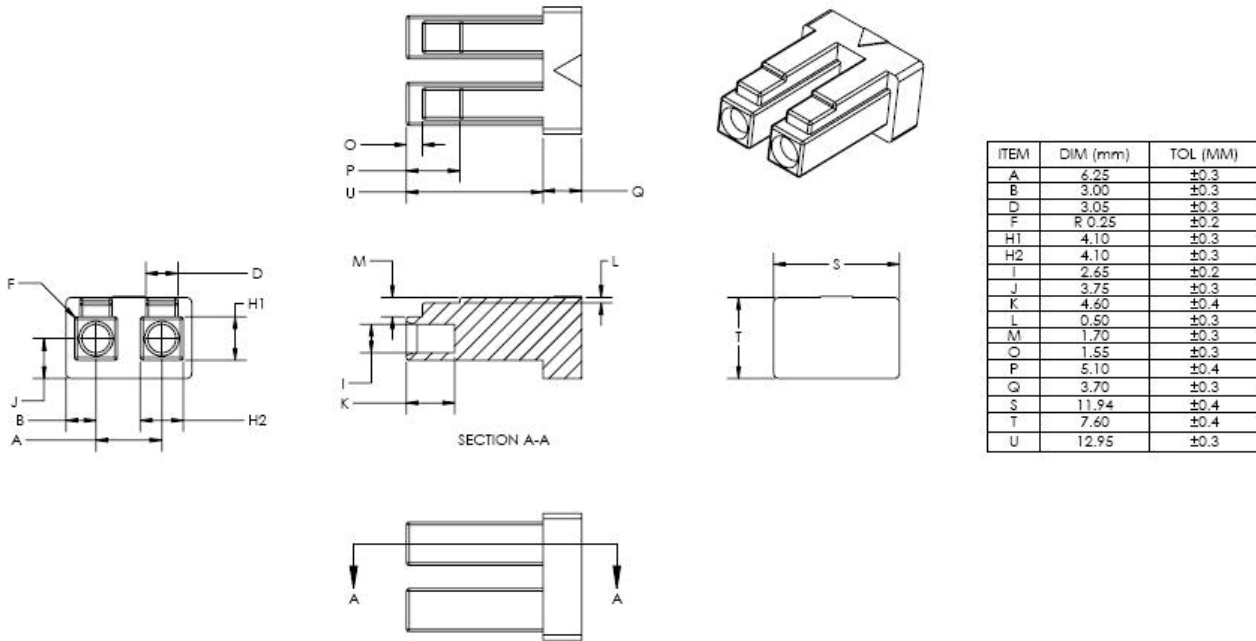
FTLFLCDP1 have no shelf-life limitation and are rated for storage temperatures of -40°C to 85°C.

PRODUCT SELECTION

FTLFLCDP1

Caution: Transceiver TX and RX ports contain optical surfaces that are sensitive to particulates. Contamination from dust can degrade optical transmit and receive power levels. Special care should be used to prevent contaminating process plugs. Always use new or uncontaminated dust plugs to avoid contamination.

Mechanical Specification



For More Information

Finisar Corporation
 1389 Moffett Park Drive
 Sunnyvale, CA 94089-1133
 Tel. 1-408-548-1000
 Fax 1-408-541-6138
sales@finisar.com
www.finisar.com