



Chipsmall Limited consists of a professional team with an average of over 10 year of expertise in the distribution of electronic components. Based in Hongkong, we have already established firm and mutual-benefit business relationships with customers from,Europe,America and south Asia,supplying obsolete and hard-to-find components to meet their specific needs.

With the principle of “Quality Parts,Customers Priority,Honest Operation,and Considerate Service”,our business mainly focus on the distribution of electronic components. Line cards we deal with include Microchip,ALPS,ROHM,Xilinx,Pulse,ON,Everlight and Freescale. Main products comprise IC,Modules,Potentiometer,IC Socket,Relay,Connector.Our parts cover such applications as commercial,industrial, and automotives areas.

We are looking forward to setting up business relationship with you and hope to provide you with the best service and solution. Let us make a better world for our industry!



Contact us

Tel: +86-755-8981 8866 Fax: +86-755-8427 6832

Email & Skype: info@chipsmall.com Web: www.chipsmall.com

Address: A1208, Overseas Decoration Building, #122 Zhenhua RD., Futian, Shenzhen, China



Product Specification

RoHS-6 Compliant 10Gb/s 10km 1310nm Single Mode Datacom SFP+ Transceiver FTLX1475D3BCL

PRODUCT FEATURES

- Hot-pluggable SFP+ footprint
- Supports 9.95 to 10.5 Gb/s bit rates
- Power dissipation < 1W
- RoHS-6 compliant (lead-free)
- Commercial temperature range -5°C to 70°C
- Single 3.3V power supply
- Maximum link length of 10km
- Uncooled 1310nm DFB laser
- Limiting electrical interface receiver.
- Duplex LC connector
- Built-in digital diagnostic functions



APPLICATIONS

- 10GBASE-LR/LW 10G Ethernet
- 1200-SM-LL-L 10G Fibre Channel

Finisar's FTLX1475D3BCL 10Gb/s Enhanced Small Form Factor Pluggable SFP+ transceivers are designed for use in 10-Gigabit Ethernet links up to 10km over Single Mode fiber. They are compliant with SFF-8431¹, SFF-8432² and IEEE 802.3ae 10GBASE-LR/LW³, and 10G Fibre Channel 1200-SM-LL-L⁴. Digital diagnostics monitoring is available via a 2-wire serial interface, as specified in SFF-8472⁵. The FTLX1475D3BCL employs a limiting receiver.

The optical transceiver is compliant per the RoHS Directive 2011/65/EU⁶. See Finisar Application Note AN-2038 for more details⁷.

PRODUCT SELECTION

FTLX1475D3BCL

I. Pin Descriptions

| Pin | Symbol | Name/Description | Ref. |
|-----|--------------------|--|------|
| 1 | V _{EET} | Transmitter Ground. | 1 |
| 2 | T _{FAULT} | Transmitter Fault. | 2,3 |
| 3 | T _{DIS} | Transmitter Disable. Laser output disabled on high or open. | 4 |
| 4 | SDA | 2-wire Serial Interface Data Line. | 2 |
| 5 | SCL | 2-wire Serial Interface Clock Line. | 2 |
| 6 | MOD_ABS | Module Absent. Grounded within the module. | 5 |
| 7 | RS0 | Rate Select 0. Not Used. | 5 |
| 8 | RX_LOS | Loss of Signal indication. Logic 0 indicates normal operation. | 6 |
| 9 | RS1 | Rate Select 1. Not Used. | |
| 10 | V _{EER} | Receiver Ground. | 1 |
| 11 | V _{EER} | Receiver Ground. | 1 |
| 12 | RD- | Receiver Inverted DATA out. AC Coupled. | |
| 13 | RD+ | Receiver Non-inverted DATA out. AC Coupled. | |
| 14 | V _{EER} | Receiver Ground. | 1 |
| 15 | V _{CCR} | Receiver Power Supply. | 7 |
| 16 | V _{CCT} | Transmitter Power Supply. | 7 |
| 17 | V _{EET} | Transmitter Ground. | 1 |
| 18 | TD+ | Transmitter Non-Inverted DATA in. AC Coupled. | |
| 19 | TD- | Transmitter Inverted DATA in. AC Coupled. | |
| 20 | V _{EET} | Transmitter Ground. | 1 |

Notes:

1. Circuit ground is internally isolated from chassis ground.
2. Open collector/drain output, which should be pulled up with a 4.7k – 10k Ohms resistor on the host board if intended for use. Pull up voltage should be between 2.0V to V_{cc} + 0.3V.
3. A high output indicates a transmitter fault caused by either the TX bias current or the TX output power exceeding the preset alarm thresholds. A low output indicates normal operation. In the low state, the output is pulled to <0.8V.
4. Laser output disabled on T_{DIS} >2.0V or open, enabled on T_{DIS} <0.8V.
5. Internally pulled down per SFF-8431 Rev 4.1.
6. LOS is open collector output. Should be pulled up with 4.7k – 10kΩ on host board to a voltage between 2.0V and 3.6V. Logic 0 indicates normal operation; logic 1 indicates loss of signal.
7. Internally connected.

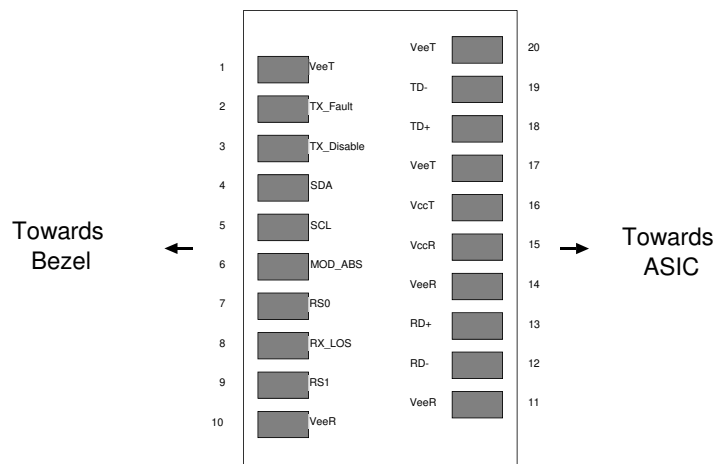


Figure 1. Diagram of Host Board Connector Block Pin Numbers and Names.

II. Absolute Maximum Ratings

Exceeding the limits below may damage the transceiver module permanently.

| Parameter | Symbol | Min | Typ | Max | Unit | Ref. |
|------------------------|-----------------|------|-----|-----|------|------|
| Maximum Supply Voltage | V _{CC} | -0.5 | | 4.0 | V | |
| Storage Temperature | T _S | -40 | | 85 | °C | |
| Relative Humidity | RH | 0 | | 85 | % | 1 |

1. Non-condensing.

III. Electrical Characteristics (T_{OP} = -5 to 70 °C, V_{CC} = 3.14 to 3.46 Volts)

| Parameter | Symbol | Min | Typ | Max | Unit | Ref. |
|--------------------------------|-------------------------------------|----------------------|------|-----------------------|------------------|------|
| Supply Voltage | V _{CC} | 3.14 | 3.30 | 3.46 | V | |
| Supply Current | I _{CC} | | 200 | 285 | mA | |
| Transmitter | | | | | | |
| Input differential impedance | R _{in} | | 100 | | Ω | 1 |
| Differential data input swing | V _{in,pp} | 180 | | 700 | mV | |
| Transmit Disable Voltage | V _D | 2 | | V _{CC} | V | |
| Transmit Enable Voltage | V _{EN} | V _{EE} | | V _{EE} + 0.8 | V | |
| Receiver | | | | | | |
| Differential data output swing | V _{out,pp} | 300 | | 850 | mV | 2,6 |
| Output rise time and fall time | T _r , T _f | 28 | | | ps | 3 |
| LOS Fault | V _{LOS fault} | 2 | | V _{CCHOST} | V | 4 |
| LOS Normal | V _{LOS norm} | V _{EE} | | V _{EE} +0.8 | V | 4 |
| Power Supply Noise Tolerance | V _{CC} T/V _{CC} R | Per SFF-8431 Rev 4.1 | | | mV _{pp} | 5 |

Notes:

1. Connected directly to TX data input pins. AC coupling from pins into laser driver IC.
2. Into 100Ω differential termination.
3. 20 – 80%. Measured with Module Compliance Test Board and OMA test pattern. Use of four 1's and four 0's sequence in the PRBS 9 is an acceptable alternative. SFF-8431 Rev 4.1.
4. LOS is an open collector output. Should be pulled up with 4.7kΩ – 10kΩ on the host board. Normal operation is logic 0; loss of signal is logic 1.
5. See Section 2.8.3 of SFF-8431 Rev 4.1.
6. The FTLX1475D3BCL uses a limiting electrical interface receiver.

IV. Optical Characteristics ($T_{OP} = -5$ to 70 °C, $V_{CC3} = 3.14$ to 3.46 Volts)

| Parameter | Symbol | Min | Typ | Max | Unit | Ref. |
|--|-------------|--------------------------|-----|-------|-------|------|
| Transmitter | | | | | | |
| Optical Modulation Amplitude (OMA) | P_{OMA} | -5.2 | | | dBm | |
| Average Launch Power | P_{AVE} | -8.2 | | +0.5 | dBm | 1 |
| Optical Wavelength | λ | 1260 | | 1355 | nm | |
| Side-Mode Suppression Ratio | SMSR | 30 | | | dB | |
| Optical Extinction Ratio | ER | 3.5 | | | dB | |
| Transmitter and Dispersion Penalty | TDP | | | 3.2 | dB | |
| Average Launch power of OFF transmitter | P_{OFF} | | | -30 | dBm | |
| Tx Jitter | T_{Xj} | Per 802.3ae requirements | | | | |
| Relative Intensity Noise | RIN | | | -128 | dB/Hz | |
| Receiver | | | | | | |
| Receiver Sensitivity (OMA) @ 10.3Gb/s | R_{SENS1} | | | -12.6 | dBm | 2 |
| Stressed Receiver Sensitivity (OMA) @ 10.3Gb/s | R_{SENS2} | | | -10.3 | dBm | 3 |
| Average Receive Power | P_{AVE} | -14.4 | | +0.5 | dBm | 1 |
| Optical Center Wavelength | λ_C | 1260 | | 1600 | nm | |
| Receiver Reflectance | R_{rx} | | | -12 | dB | |
| LOS De-Assert | LOS_D | | | -17 | dBm | |
| LOS Assert | LOS_A | -30 | | | dBm | |
| LOS Hysteresis | | 0.5 | | | dB | |

Notes:

1. Average power figures are informative only, per IEEE 802.3ae.
2. Valid between 1260 and 1355 nm. Measured with worst ER; BER < 10^{-12} ; $2^{31} - 1$ PRBS.
3. Valid between 1260 and 1355 nm. Per IEEE 802.3ae.

V. General Specifications

| Parameter | Symbol | Min | Typ | Max | Units | Ref. |
|----------------------------|-----------|------|-----|------------|-------|------|
| Bit Rate | BR | 9.95 | | 10.5 | Gb/s | 1 |
| Bit Error Ratio | BER | | | 10^{-12} | | 2 |
| Max. Supported Link Length | L_{MAX} | | 10 | | km | 1 |

Notes:

1. 10GBASE-LR, 10GBASE-LW, 1200-SM-LL-L 10GFC.
2. Tested with a $2^{31} - 1$ PRBS.

VI. Environmental Specifications

Finisar FTLX1475D3BCL transceivers have an operating temperature range from -5°C to $+70^{\circ}\text{C}$ case temperature.

| Parameter | Symbol | Min | Typ | Max | Units | Ref. |
|----------------------------|-----------|-----|-----|-----|--------------------|------|
| Case Operating Temperature | T_{op} | -5 | | 70 | $^{\circ}\text{C}$ | |
| Storage Temperature | T_{sto} | -40 | | 85 | $^{\circ}\text{C}$ | |

VII. Regulatory Compliance

Finisar transceivers are Class 1 Laser Products and comply with US FDA regulations. These products are certified by TÜV and CSA to meet the Class 1 eye safety requirements of EN (IEC) 60825 and the electrical safety requirements of EN (IEC) 60950. Copies of certificates are available at Finisar Corporation upon request.

VIII. Digital Diagnostic Functions

Finisar FTLX1475D3BCL SFP+ transceivers support the 2-wire serial communication protocol as defined in the SFP MSA¹. It is very closely related to the E²PROM defined in the GBIC standard, with the same electrical specifications.

The standard SFP serial ID provides access to identification information that describes the transceiver's capabilities, standard interfaces, manufacturer, and other information.

Additionally, Finisar SFP+ transceivers provide an enhanced digital diagnostic monitoring interface, which allows real-time access to device operating parameters such as transceiver temperature, laser bias current, transmitted optical power, received optical power and transceiver supply voltage. It also defines a sophisticated system of alarm and warning flags, which alerts end-users when particular operating parameters are outside of a factory set normal range.

The SFP MSA defines a 256-byte memory map in E²PROM that is accessible over a 2-wire serial interface at the 8 bit address 1010000X (A0h). The digital diagnostic monitoring interface makes use of the 8 bit address 1010001X (A2h), so the originally defined serial ID memory map remains unchanged. The interface is identical to, and is thus fully backward compatible with both the GBIC Specification and the SFP Multi Source Agreement. The complete interface is described in Finisar Application Note AN-2030: "Digital Diagnostics Monitoring Interface for SFP Optical Transceivers".

The operating and diagnostics information is monitored and reported by a Digital Diagnostics Transceiver Controller (DDTC) inside the transceiver, which is accessed through a 2-wire serial interface. When the serial protocol is activated, the serial clock signal (SCL, Mod Def 1) is generated by the host. The positive edge clocks data into the SFP transceiver into those segments of the E²PROM that are not write-protected. The negative edge clocks data from the SFP transceiver. The serial data signal (SDA, Mod Def 2) is bi-directional for serial data transfer. The host uses SDA in conjunction with SCL to mark the start and end of serial protocol activation. The memories are organized as a series of 8-bit data words that can be addressed individually or sequentially.

For more information, please see the SFP MSA documentation^{1,5} and Finisar Application Note AN-2030.

Please note that evaluation board FDB-1027 is available with Finisar ModDEMO software that allows simple to use communication over the 2-wire serial interface.

IX. Digital Diagnostic Specifications

FTLX1475D3BCL transceivers can be used in host systems that require either internally or externally calibrated digital diagnostics.

| Parameter | Symbol | Min | Max | Units | Ref. |
|--|----------------------------------|-------|---------|--------------------|------|
| Accuracy | | | | | |
| Internally measured transceiver temperature | $\Delta DD_{\text{Temperature}}$ | | ± 5 | $^{\circ}\text{C}$ | |
| Internally measured transceiver supply voltage | $\Delta DD_{\text{Voltage}}$ | | 3 | % | |
| Measured TX bias current | ΔDD_{Bias} | | 10 | % | 1 |
| Measured TX output power | $\Delta DD_{\text{Tx-Power}}$ | | 2 | dB | |
| Measured RX received average optical power | $\Delta DD_{\text{Rx-Power}}$ | | 2 | dB | |
| Dynamic Range for Rated Accuracy | | | | | |
| Internally measured transceiver temperature | $DD_{\text{Temperature}}$ | -5 | 70 | $^{\circ}\text{C}$ | |
| Internally measured transceiver supply voltage | DD_{Voltage} | 3.1 | 3.5 | V | |
| Measured TX bias current | DD_{Bias} | 10 | 90 | mA | |
| Measured TX output power | $DD_{\text{Tx-Power}}$ | -8.2 | +0.5 | dBm | |
| Measured RX received average optical power | $DD_{\text{Rx-Power}}$ | -14.2 | +0.5 | dBm | |
| Max Reporting Range | | | | | |
| Internally measured transceiver temperature | $DD_{\text{Temperature}}$ | -40 | 125 | $^{\circ}\text{C}$ | |
| Internally measured transceiver supply voltage | DD_{Voltage} | 2.8 | 4.0 | V | |
| Measured TX bias current | DD_{Bias} | 0 | 20 | mA | |
| Measured TX output power | $DD_{\text{Tx-Power}}$ | -10 | +2 | dBm | |
| Measured RX received average optical power | $DD_{\text{Rx-Power}}$ | -22 | +2 | dBm | |

Notes:

- Accuracy of measured Tx bias current is 10% of the actual bias current from the laser driver to the laser.

X. Mechanical Specifications

Finisar FTLX1475D3BCL SFP+ transceivers are compatible with the SFF-8432 specification for improved pluggable form factor, and shown here for reference purposes only. Bail color is blue.

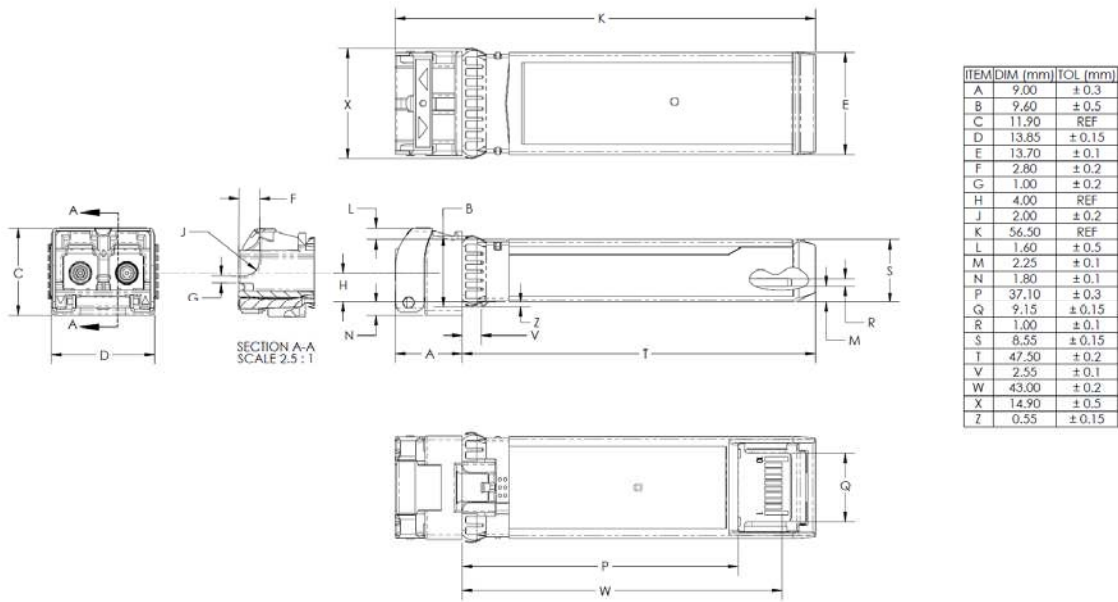
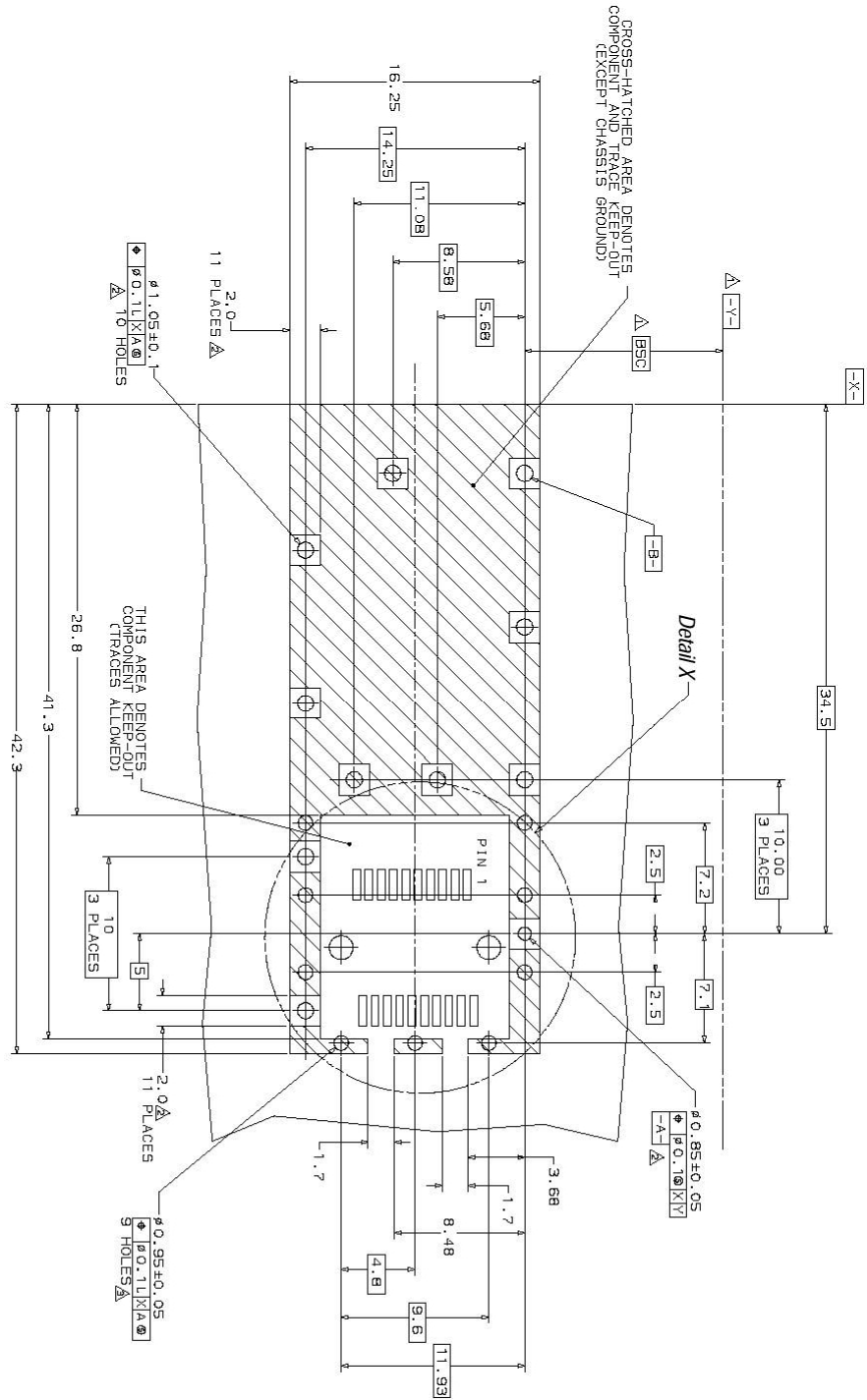
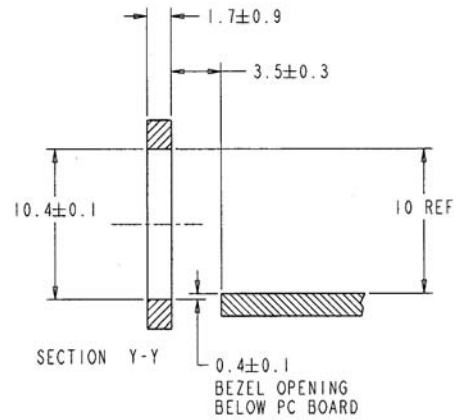
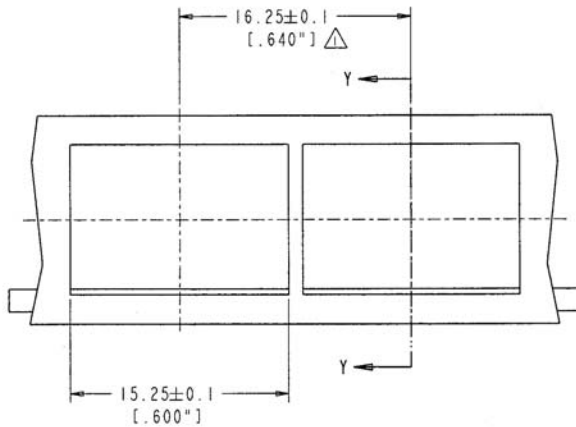
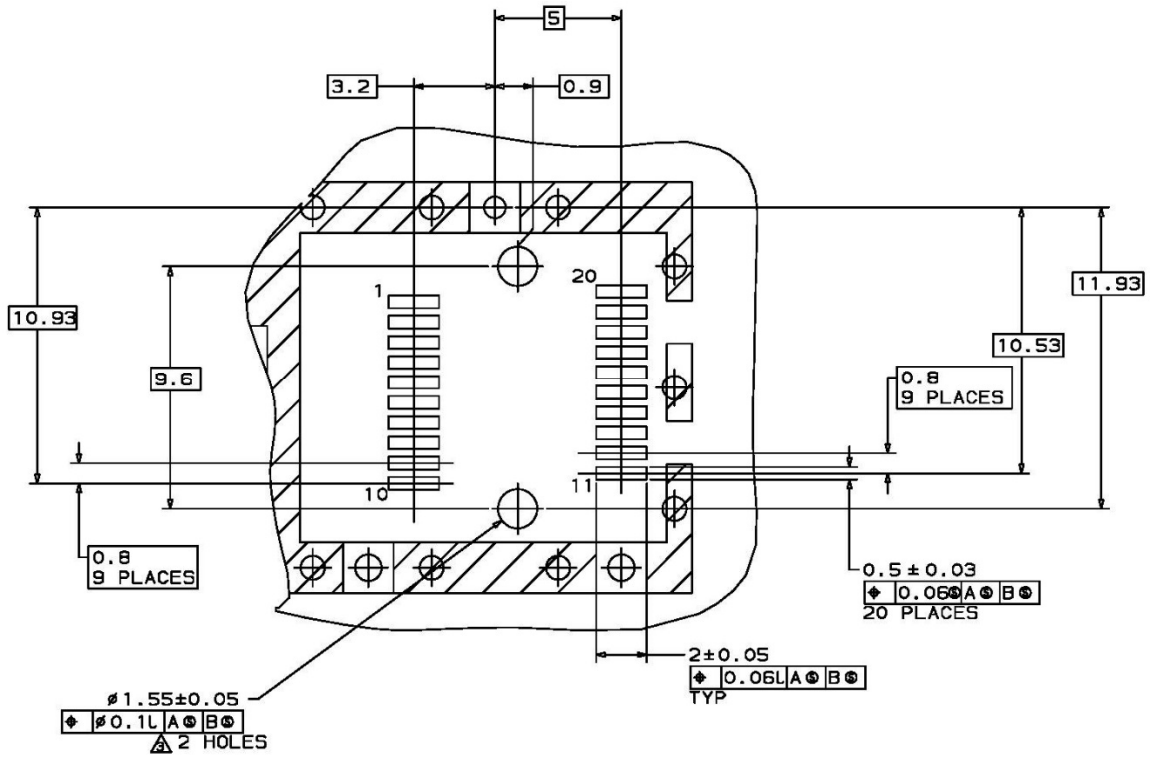


Figure 2. FTLX1475D3BCL Mechanical Dimensions and Tolerances.

XI. PCB Layout and Bezel Recommendations



- Δ Datum and Basic Dimension Established by Customer
- ∇ Rads and Vias are Chassis Ground, 11 Places
- ∇ Through Holes are Unplated



NOTES:

1. \triangle MINIMUM PITCH ILLUSTRATED, ENGLISH DIMENSIONS ARE FOR REFERENCE ONLY
2. NOT RECOMMENDED FOR PCI EXPANSION CARD APPLICATIONS

XII. Host - Transceiver Interface Block Diagram

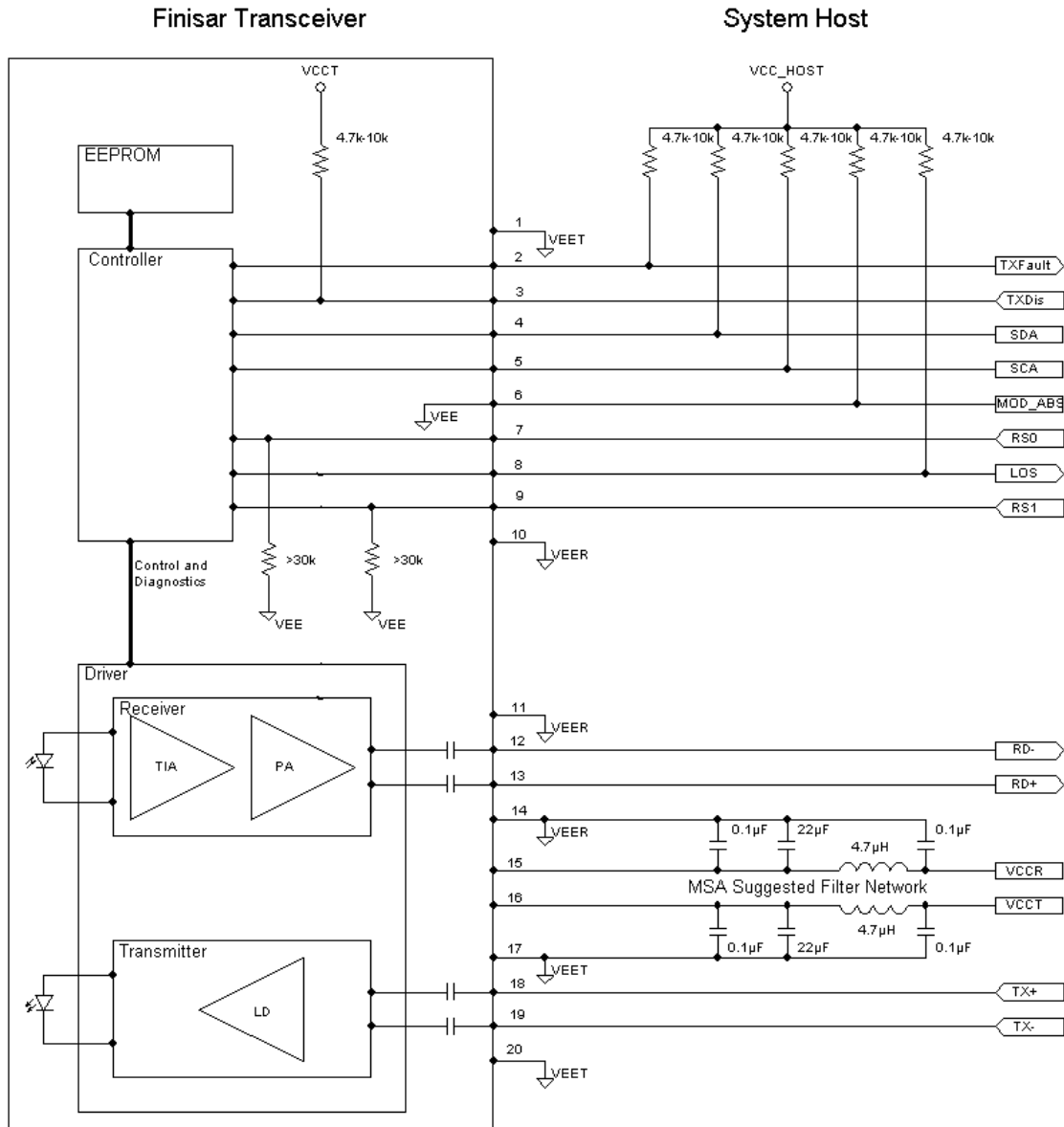


Figure 6-Host-Module Interface

XIII. References

1. “Specifications for Enhanced 8.5 and 10 Gigabit Small Form Factor Pluggable Module ‘SFP+ ’”, SFF Document Number SFF-8431, Revision 4.1.
2. “Improved Pluggable Form factor”, SFF Document Number SFF-8432, Revision 4.2, April 18, 2007.
3. IEEE Std 802.3ae, Clause 52, PMD Type 10GBASE-LR. IEEE Standards Department.
4. American National Standard for Information Technology - Fibre Channel - 10 Gigabit Fibre Channel, Rev 3.5, April 9, 2003.
5. “Digital Diagnostics Monitoring Interface for Optical Transceivers”. SFF Document Number SFF-8472, Revision 11.3.
6. Directive 2011/65/EU of the European Parliament and of the Council “on the restriction of the use of certain hazardous substances in electrical and electronic equipment”. Certain products may use one or more exemption as allowed by the directive.
7. “Application Note AN-2038: Finisar Implementation Of RoHS Compliant Transceivers”, Finisar Corporation, January 21, 2005.

XIV. For More Information

Finisar Corporation
1389 Moffett Park Drive
Sunnyvale, CA 94089-1133
Tel. 1-408-548-1000
Fax 1-408-541-6138
sales@finisar.com
www.finisar.com