



Chipsmall Limited consists of a professional team with an average of over 10 year of expertise in the distribution of electronic components. Based in Hongkong, we have already established firm and mutual-benefit business relationships with customers from,Europe,America and south Asia,supplying obsolete and hard-to-find components to meet their specific needs.

With the principle of “Quality Parts,Customers Priority,Honest Operation,and Considerate Service”,our business mainly focus on the distribution of electronic components. Line cards we deal with include Microchip,ALPS,ROHM,Xilinx,Pulse,ON,Everlight and Freescale. Main products comprise IC,Modules,Potentiometer,IC Socket,Relay,Connector.Our parts cover such applications as commercial,industrial, and automotives areas.

We are looking forward to setting up business relationship with you and hope to provide you with the best service and solution. Let us make a better world for our industry!



Contact us

Tel: +86-755-8981 8866 Fax: +86-755-8427 6832

Email & Skype: info@chipsmall.com Web: www.chipsmall.com

Address: A1208, Overseas Decoration Building, #122 Zhenhua RD., Futian, Shenzhen, China



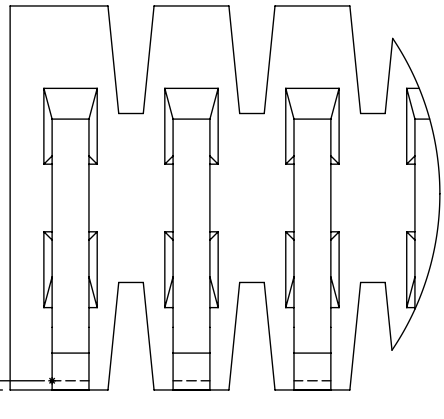
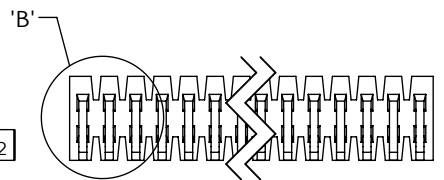
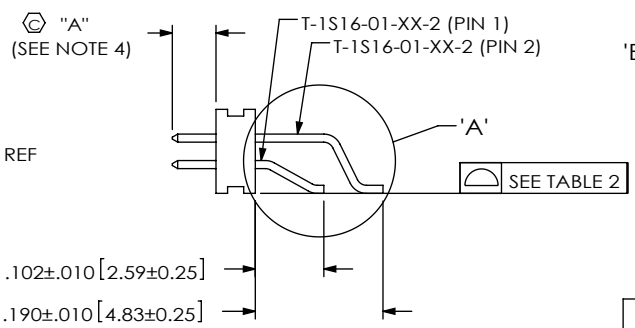
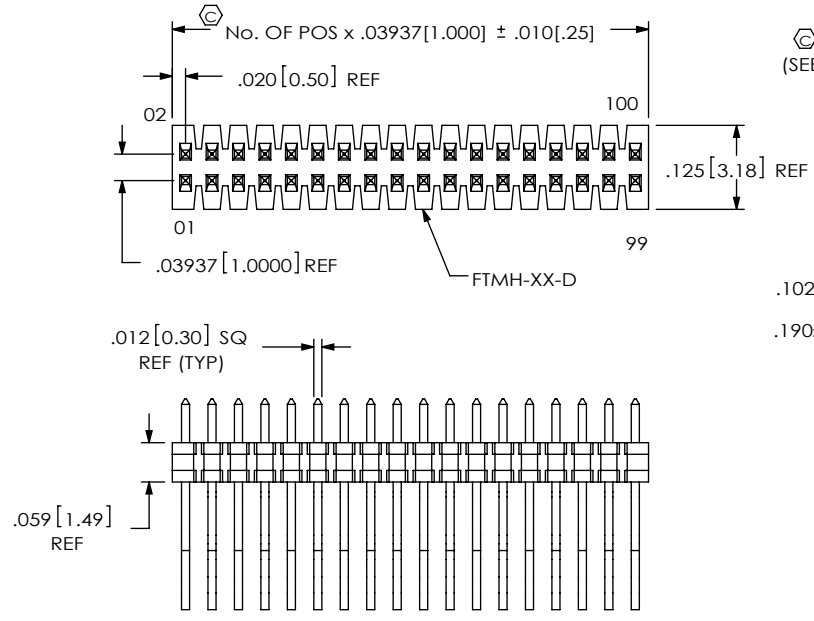
REVISION Y

- NOTES:
1. $\text{\textcircled{C}}$ REPRESENTS A CRITICAL DIMENSION.
 2. MAX. CUT FLASH: .015[.38]; NO FLASH ALLOWED IN OR AROUND SURFACE MOUNT TAIL AREA.
 3. MINIMUM PUSHOUT FORCE: 1 LB.
 4. MAX. PIN VARIANCE : .005[.13].
 5. SHEAR TAILS TO DIMENSION SHOWN, .003 [.08] MAX BURR.
 6. COPLANARITY TO BE WITHIN .004 WHEN AT POSITION 05-25 AND BE WITHIN .006 WHEN AT POSITION 26-50.
 7. FIRST AND LAST PIN OF EACH ROW TO BE FLUSH TO .003[.08] ABOVE BODY.
 8. ENDWALL TO BE .008 MIN.
 9. NOTE DELETED.

FTMH-1XX-XX-XX-DH-X-XX

- No. OF POSITIONS**
-05 THRU -50
(PER ROW)
- LEAD STYLE SPEC**
-03: .065 POST
(USE T-1S16-01-X-2)
-02: .075 POST
(USE T-1S16-01-X-2)
- OPTION 2**
-TR: TAPE & REEL
PACKAGING
- OPTION 1**
-K: POLYIMIDE FILM PAD
(-05 THRU -50 POSITIONS ONLY)
- ROW SPECIFICATION**
-DH: DOUBLE HORIZONTAL
(USE FTMH-75-D)
- PLATING SPEC**
-L: LIGHT SELECTIVE, 10 Au / 50 Ni MIN ON CONTACT, MATTE TIN TAIL
-F: FLASH SELECTIVE, 3 Au / 50 Ni MIN ON CONTACT, MATTE TIN TAIL
-H: HEAVY GOLD, 30 Au / 50 Ni MIN ON CONTACT, 3 Au / 50 Ni MIN ON TAIL
-LM: LIGHT SELECTIVE, 10 Au / 50 Ni MIN ON CONTACT, MATTE TIN TAIL
-FM: FLASH SELECTIVE, 3 Au / 50 Ni MIN ON CONTACT, MATTE TIN TAIL

DO NOT SCALE FROM THIS PRINT

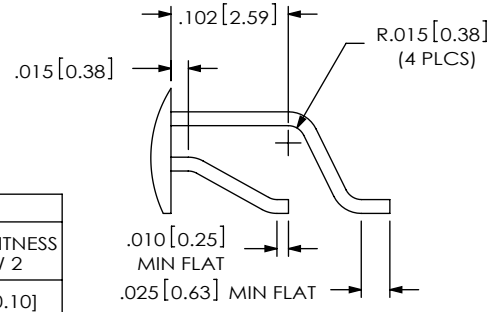


$\text{\textcircled{C}}$.003[0.08] MAX
(SEE NOTE 7)

DETAIL 'B'
SCALE 16:1

LEAD STYLE	"A"
-02	.075 [1.91]
-03	.065 [1.65]

NO OF POS	COPLANARITY	STRAIGHTNESS ROW 1	STRAIGHTNESS ROW 2
5-25	.004 [0.10]	.004 [0.10]	.004 [0.10]
26-50	.006 [0.15]	.006 [0.15]	.006 [0.15]
75 (SUB ASSEMBLY ONLY)	.008[0.20]	.008[0.20]	.008[0.20]



DETAIL 'A'
SCALE 6:1

UNLESS OTHERWISE SPECIFIED, DIMENSIONS ARE IN INCHES.
TOLERANCES ARE:
DECIMALS ANGLES
.X: ±.1[2.5]
.XX: ±.01[.3]
.XXX: ±.005[.13]
.XXXX: ±.0020[.051]

PROPRIETARY NOTE
THIS DOCUMENT CONTAINS INFORMATION CONFIDENTIAL AND PROPRIETARY TO SAMTEC, INC. AND SHALL NOT BE REPRODUCED OR TRANSFERRED TO OTHER DOCUMENTS OR DISCLOSED TO OTHERS OR USED FOR ANY PURPOSE OTHER THAN THAT WHICH IT WAS OBTAINED WITHOUT THE EXPRESSED WRITTEN CONSENT OF SAMTEC, INC.

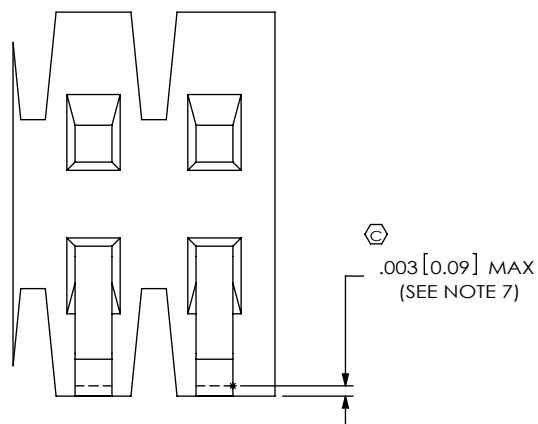
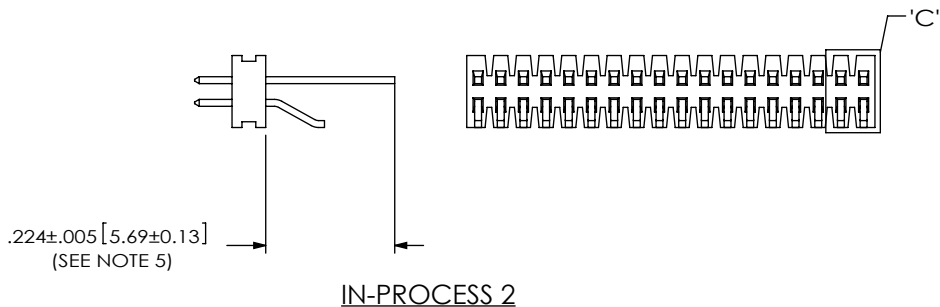
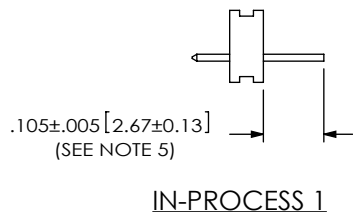


520 PARK EAST BLVD. NEW ALBANY, IN 47150
PHONE: 812-944-6733 FAX: 812-948-5047
e-Mail: info@SAMTEC.com code 55322

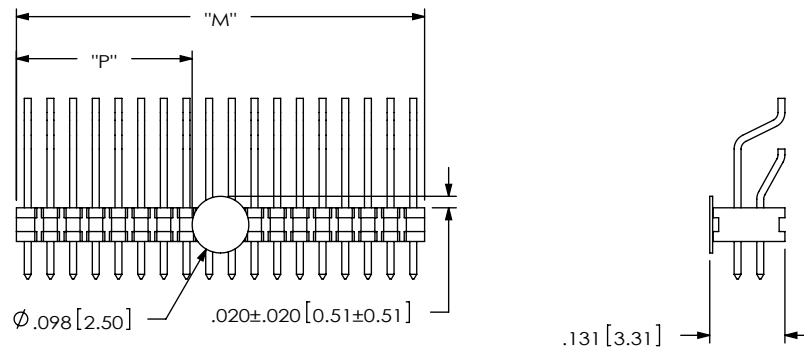
DO NOT SCALE DRAWING SHEET SCALE: 1:1
MATERIAL: BODY: LCP, UL 94 V0, COLOR: BLACK
TERMINAL: PHOS BRONZE, 510

DESCRIPTION: 1MM X 1MM HORIZONTAL SMT TERMINAL STRIP

DWG. NO. **FTMH-1XX-XX-XX-DH-X-XX**



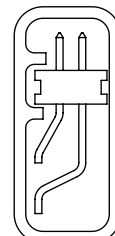
DETAIL 'C'
SCALE 16:1



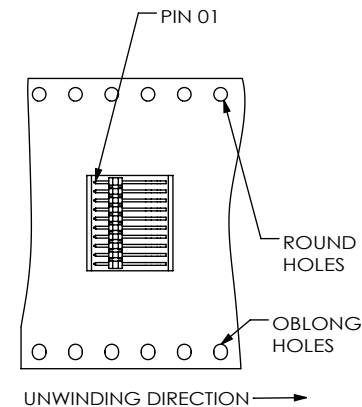
NOTE: "M" = USE MEASURED DIMENSION (REF)
"P" = (("M" - .098 [2.50]) / 2) ± .020 [.51]

-K OPTION
POLYIMIDE FILM PAD
(AVAILABLE ON -05 THRU -50 POS ONLY)

TUBE:
PT-FTMH001-DH
PLUG:
TP-24



STYLE -02 & -03
PACKAGING VIEW



PROPRIETARY NOTE

THIS DOCUMENT CONTAINS INFORMATION CONFIDENTIAL AND PROPRIETARY TO SAMTEC, INC. AND SHALL NOT BE REPRODUCED OR TRANSFERRED TO OTHER DOCUMENTS OR DISCLOSED TO OTHERS OR USED FOR ANY PURPOSE OTHER THAN THAT WHICH IT WAS OBTAINED WITHOUT THE EXPRESSED WRITTEN CONSENT OF SAMTEC, INC.

DO NOT SCALE DRAWING

SHEET SCALE: 1:1



520 PARK EAST BLVD, NEW ALBANY, IN 47150
PHONE: 812-944-6733 FAX: 812-948-5047
e-Mail: info@SAMTEC.com code 55322

DESCRIPTION:
1MM X 1MM HORIZONTAL SMT TERMINAL STRIP

DWG. NO.
FTMH-1XX-XX-XX-DH-X-XX

BY: D. PURVIS 10/13/1998 SHEET 2 OF 2