



Chipsmall Limited consists of a professional team with an average of over 10 year of expertise in the distribution of electronic components. Based in Hongkong, we have already established firm and mutual-benefit business relationships with customers from,Europe,America and south Asia,supplying obsolete and hard-to-find components to meet their specific needs.

With the principle of “Quality Parts,Customers Priority,Honest Operation,and Considerate Service”,our business mainly focus on the distribution of electronic components. Line cards we deal with include Microchip,ALPS,ROHM,Xilinx,Pulse,ON,Everlight and Freescale. Main products comprise IC,Modules,Potentiometer,IC Socket,Relay,Connector.Our parts cover such applications as commercial,industrial, and automotives areas.

We are looking forward to setting up business relationship with you and hope to provide you with the best service and solution. Let us make a better world for our industry!



Contact us

Tel: +86-755-8981 8866 Fax: +86-755-8427 6832

Email & Skype: info@chipsmall.com Web: www.chipsmall.com

Address: A1208, Overseas Decoration Building, #122 Zhenhua RD., Futian, Shenzhen, China



MATERIALS AND FINISHES

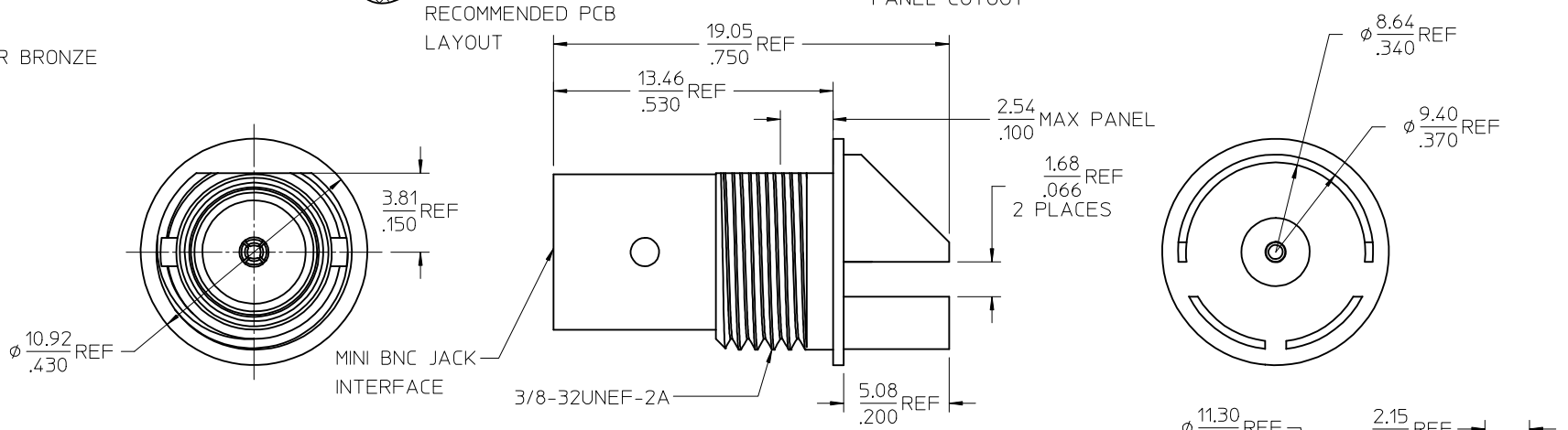
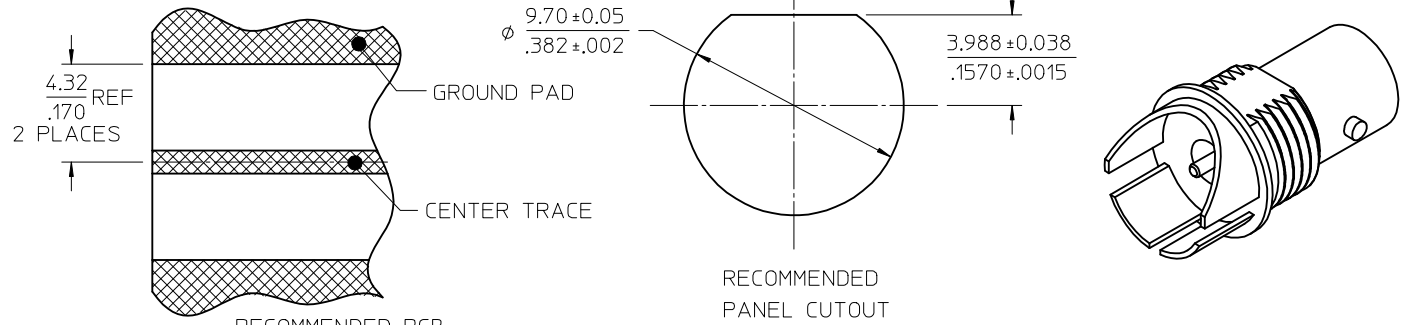
BODY: BRASS
 PLATED SEE TABLE

CENTER CONTACT: BERYLLIUM COPPER
 PLATED GOLD

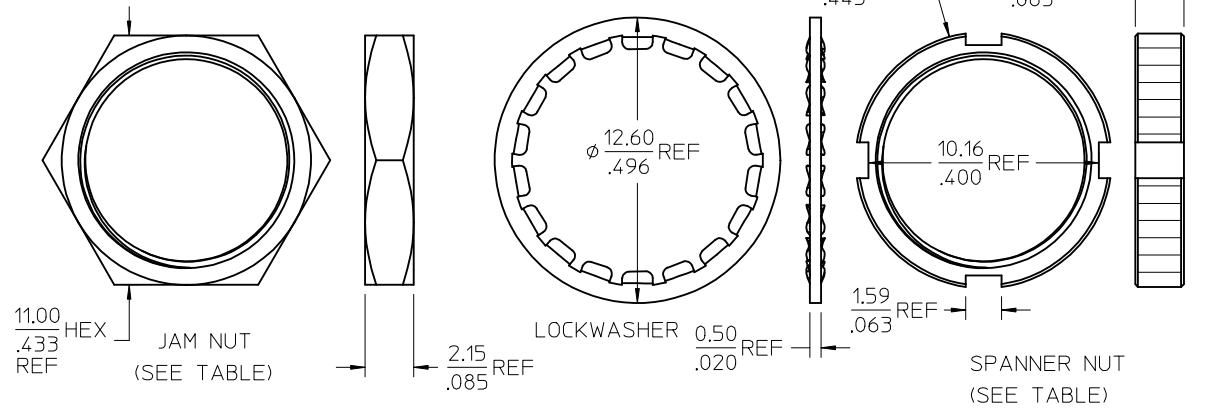
INSULATOR: TEFLON

JAM NUT, SPANNER NUT: BRASS
 PLATED NICKEL

LOCKWASHER: PHOSPHOR BRONZE
 PLATED NICKEL



PS-89675-3500	INTERFACE
SPECIFICATION	DESCRIPTION



73171-2744	NICKEL/TRAY; SPANNER NUT
73171-2743	GOLD/TRAY; SPANNER NUT
73171-2742	73171-2741, ONE PER BAG; STANDARD NUT
73171-2741	NICKEL/TRAY; STANDARD NUT
73171-2740	GOLD/TRAY; STANDARD NUT
PART NO.	PLATING/PACKAGING

CHG: CORRECTED 73171-2740/4743/44 TRAY WAS BULK PER RF15-E327 EC NO: URF2016-0218 DRW: WCE102 2015/09/16 CHKD: APPR: YCHENG 2015/09/18 A3	QUALITY SYMBOLS ▽=0 ▽=0	GENERAL TOLERANCES (UNLESS SPECIFIED)		DIMENSION STYLE MM/IN	SCALE DESIGN UNITS METRIC	THIRD ANGLE PROJECTION	
		4 PLACES ± --- ± --- 3 PLACES ± --- ± --- 2 PLACES ± --- ± --- 1 PLACE ± --- ± ---	mm INCH --- --- --- --- --- --- --- ---	DRAWN BY JM 2005/11/21	DATE 2005/11/21		TITLE MINI BNC JACK, BULKHEAD EDGEMOUNT, PCB, 75 OHMS EWR-2953, MINI BNC-J/PCB
		ANGULAR ± 2 °		CHECKED BY JM 2005/11/21	DATE 2005/11/21		MOLEX INCORPORATED
		DRAFT WHERE APPLICABLE MUST REMAIN WITHIN DIMENSIONS		APPROVED BY JDW 2005/11/21	DATE 2005/11/21		MOLEX INCORPORATED SD-73171-274
MATERIAL NO. SEE TABLE				DOCUMENT NO.	SHEET NO. 1 OF 1		
THIS DRAWING CONTAINS INFORMATION THAT IS PROPRIETARY TO MOLEX INCORPORATED AND SHOULD NOT BE USED WITHOUT WRITTEN PERMISSION							