



Chipsmall Limited consists of a professional team with an average of over 10 year of expertise in the distribution of electronic components. Based in Hongkong, we have already established firm and mutual-benefit business relationships with customers from,Europe,America and south Asia,supplying obsolete and hard-to-find components to meet their specific needs.

With the principle of "Quality Parts,Customers Priority,Honest Operation,and Considerate Service",our business mainly focus on the distribution of electronic components. Line cards we deal with include Microchip,ALPS,ROHM,Xilinx,Pulse,ON,Everlight and Freescale. Main products comprise IC,Modules,Potentiometer,IC Socket,Relay,Connector.Our parts cover such applications as commercial,industrial, and automotives areas.

We are looking forward to setting up business relationship with you and hope to provide you with the best service and solution. Let us make a better world for our industry!



## Contact us

Tel: +86-755-8981 8866 Fax: +86-755-8427 6832

Email & Skype: info@chipsmall.com Web: www.chipsmall.com

Address: A1208, Overseas Decoration Building, #122 Zhenhua RD., Futian, Shenzhen, China





Is Now Part of



**ON Semiconductor®**

To learn more about ON Semiconductor, please visit our website at

[www.onsemi.com](http://www.onsemi.com)

ON Semiconductor and the ON Semiconductor logo are trademarks of Semiconductor Components Industries, LLC dba ON Semiconductor or its subsidiaries in the United States and/or other countries. ON Semiconductor owns the rights to a number of patents, trademarks, copyrights, trade secrets, and other intellectual property. A listing of ON Semiconductor's product/patent coverage may be accessed at [www.onsemi.com/site/pdf/Patent-Marking.pdf](http://www.onsemi.com/site/pdf/Patent-Marking.pdf). ON Semiconductor reserves the right to make changes without further notice to any products herein. ON Semiconductor makes no warranty, representation or guarantee regarding the suitability of its products for any particular purpose, nor does ON Semiconductor assume any liability arising out of the application or use of any product or circuit, and specifically disclaims any and all liability, including without limitation special, consequential or incidental damages. Buyer is responsible for its products and applications using ON Semiconductor products, including compliance with all laws, regulations and safety requirements or standards, regardless of any support or applications information provided by ON Semiconductor. "Typical" parameters which may be provided in ON Semiconductor data sheets and/or specifications can and do vary in different applications and actual performance may vary over time. All operating parameters, including "Typicals" must be validated for each customer application by customer's technical experts. ON Semiconductor does not convey any license under its patent rights nor the rights of others. ON Semiconductor products are not designed, intended, or authorized for use as a critical component in life support systems or any FDA Class 3 medical devices or medical devices with a same or similar classification in a foreign jurisdiction or any devices intended for implantation in the human body. Should Buyer purchase or use ON Semiconductor products for any such unintended or unauthorized application, Buyer shall indemnify and hold ON Semiconductor and its officers, employees, subsidiaries, affiliates, and distributors harmless against all claims, costs, damages, and expenses, and reasonable attorney fees arising out of, directly or indirectly, any claim of personal injury or death associated with such unintended or unauthorized use, even if such claim alleges that ON Semiconductor was negligent regarding the design or manufacture of the part. ON Semiconductor is an Equal Opportunity/Affirmative Action Employer. This literature is subject to all applicable copyright laws and is not for resale in any manner.



ON Semiconductor®

January 20177

# FUSB252 Type-C CC with High Speed Digital (HSD) Port Protection Switch

## Features

- Fully Type-C Port Protection
- Supports USB Type-C™ Specification 1.2
- $V_{CC}$  0 V- 5.5 V
- 20 V DC Protection on  $V_{CC}$
- 16 V DC protection on HSD Port
- $V_{DD}$  Operating Range, 2.7 V- 5.5 V
- Current Capability: 1 A
- CC  $R_{ON}$ : 0.3  $\Omega$  Typical
- HSD  $R_{ON}$ : 5  $\Omega$  Typical
- Wide -3 db Bandwidth: 1 GHz
- Low Power Operation:  $I_{CC}$  = 9  $\mu$ A Typical
- Dead Battery Support (UFP Support when No Power Applied)
- CC Over-Voltage Protection: Typical = 5.6 V

## Description

The FUSB252 is an integrated port protection switch for USB Type-C applications. This product will protect HSD+/- and CCx pins when stressed with voltages up to 20 V. Over-Voltage Protection (OVP) at 5.8 V typical will protect the system for Electrical Overstress (EOS) damage. With a fully integrated USB 2.0 switch for HSD+/-, this product can be easily integrated into existing solutions. The HSD switches can pass USB 2.0 signals with bandwidth 1 GHz to maintain signal integrity and eye compliance.

The CC switches have very low  $R_{ON}$  of 0.3  $\Omega$  to minimize signal attenuation. The FUSB252 also provides Dead Battery support per the Type-C specification. Additional features include Under-Voltage Lockout (UVLO) and thermal shutdown.

## Applications

- Smartphones
- Tablets
- Laptops

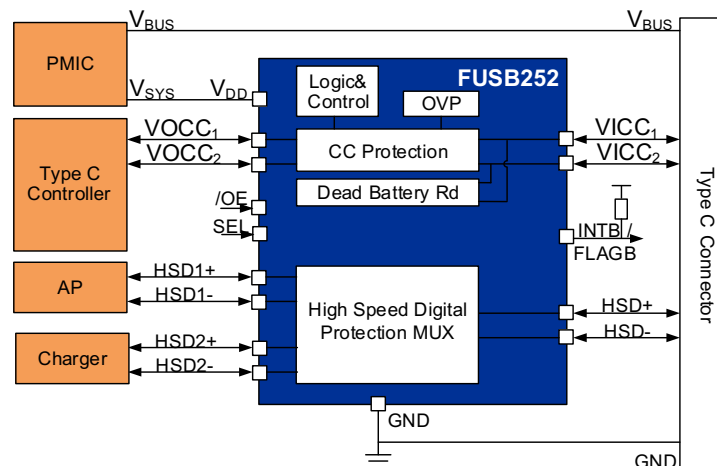


Figure 1. Typical Application

## Ordering Information

Part Number	Operating Temperature Range	Package	Packing Method	Top Mark
FUSB252UMX	-40 to 85°C	16-Lead Ultrathin Molded Leadless Package (UMLP) 1.8 x 2.6 mm	Tape and Reel	UZ

USB Type-C™ is a trademark of USB Implementers Forum, Inc.

### Block Diagram

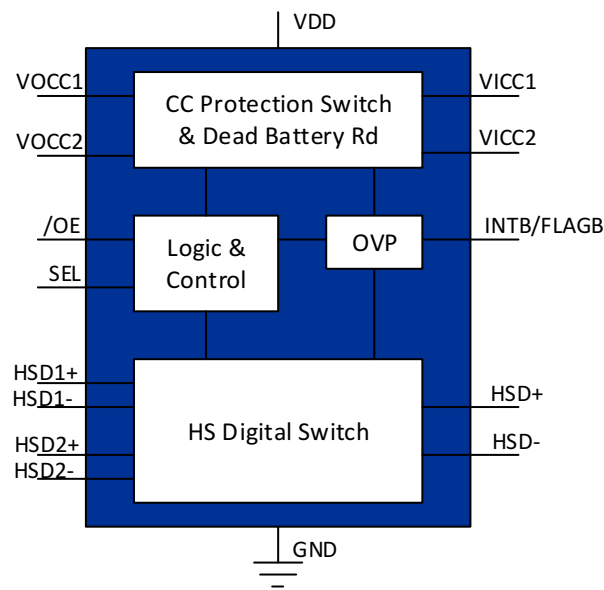


Figure 2. Block Diagram

### Reference Schematic

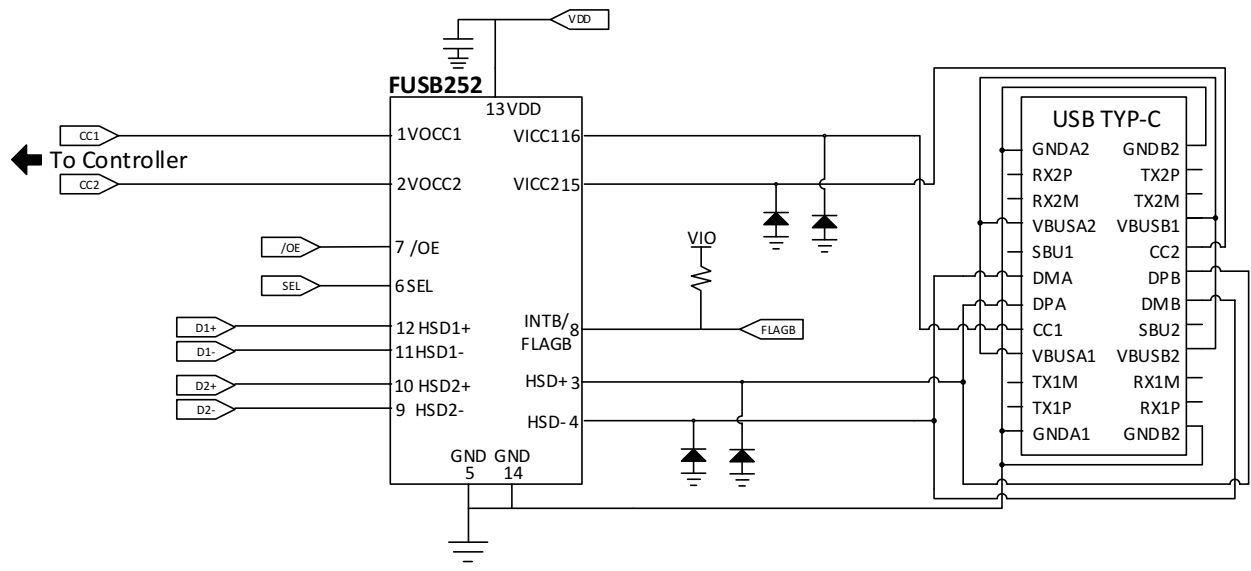


Figure 3. Reference Schematic



## Pin Configuration

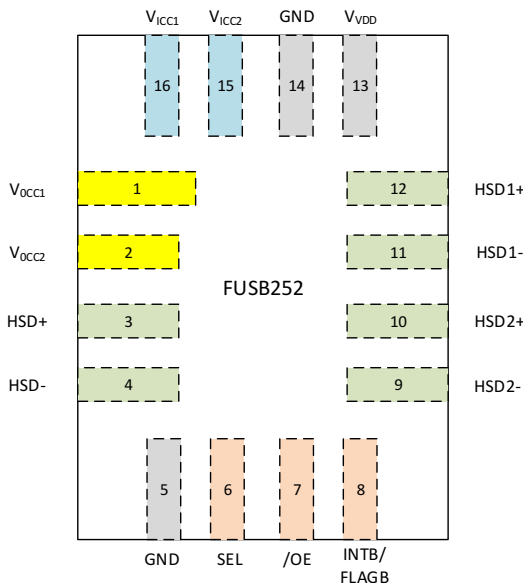


Figure 4. Pin Assignment (Top Through View)

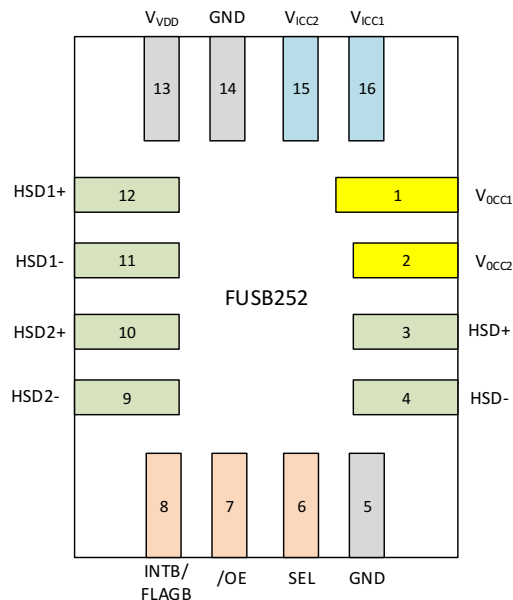


Figure 5. Pin Assignment (Bottom View)

## Pin Descriptions

Bump	Name	Type	Description
<b>Power Interface</b>			
13	VDD	Power	Power
5,14	GND	Ground	Ground
<b>USB Type-C Connector Interface Input</b>			
15, 16	VICC1,2	Input	Type C CC Interface OVP protection input, Connect to connector
<b>USB Type-C Connector Interface Output</b>			
1, 2	VOCC1,2	Output	Type C CC Interface output. Connect to controller
<b>USB High Speed Data Interface</b>			
3	HSD+	I/O	Common High Speed Digital / USB Data Bus
4	HSD-	I/O	Common High Speed Digital / USB Data Bus
12	HSD1+	I/O	Multiplexed Source Input 1
11	HSD1-	I/O	Multiplexed Source Input 1
10	HSD2+	I/O	Multiplexed Source Input 2
9	HSD2-	I/O	Multiplexed Source Input 2
<b>Signal Interface</b>			
7	/OE	I/O	Switch Enable
6	SEL	I/O	Switch Select
8	INTB/FLAGB	Output	OVP Interrupt Flag

**Table 1. CC Switch Truth Table Configuration**

V <sub>DD</sub>	V <sub>ICC</sub> Voltage	CC Switch Configuration
0 V - UVLO (Not Valid)	0 V – 5.8 V	OFF Dead Battery Rd Inserted
	5.8 V to 20 V	OFF Dead Battery Rd Inserted
2.7 V – 5.5 V (Valid)	0 V – 5.8 V	On
	5.8 V to 20 V	OFF (OVP)

**Table 2. Device Truth Table Configuration**

/OE	SEL	VDD	HSD+/HSD-	CC
1	0	Not Valid	X (Open/High-Z)	Dead Battery
0	0	Not Valid	X (Open/High-Z)	Dead Battery
1	X	Valid	X (Open/High-Z)	On
0	0	Valid	HSD1+/HSD1-	On
0	1	Valid	HSD2+/HSD2-	On

## Absolute Maximum Ratings

Stresses exceeding the absolute maximum ratings may damage the device. The device may not function or be operable above the recommended operating conditions and stressing the parts to these levels is not recommended. In addition, extended exposure to stresses above the recommended operating conditions may affect device reliability. The absolute maximum ratings are stress ratings only.

Symbol	Parameter		Min.	Max.	Unit	
V <sub>VDD</sub>	Supply Voltage from V <sub>DD</sub>		-0.5	12.0	V	
V <sub>VICC</sub>	V <sub>VICC</sub> , to GND		-0.5	24	V	
V <sub>SW</sub>	V <sub>HSD±</sub> , to GND		-5	16	V	
V <sub>OCC</sub> , V <sub>SW</sub>	V <sub>OCC</sub> , V <sub>HSDx±</sub> , to GND		-0.5	6	V	
V <sub>CONTROL</sub>	DC Input Voltage (S, /OE)		-0.5	V <sub>VDD</sub>	V	
I <sub>CCSW</sub>	DC CC Switch Current			1.25	A	
I <sub>USBSW</sub>	DC Output Current			100	mA	
I <sub>IK</sub>	DC Input Diode Current		-50		mA	
T <sub>STORAGE</sub>	Storage Temperature Range		-65	+150	C	
T <sub>J</sub>	Maximum Junction Temperature			+150	C	
T <sub>L</sub>	Lead Temperature (Soldering, 10 seconds)			+260	C	
ESD	IEC 61000-4-2 System ESD	Connector Pins (V <sub>VDD</sub> , V <sub>VICC</sub> , V <sub>HSD±</sub> )	Air Gap	15	kV	
		Contact	8			
	IEC 61000-4-5 Surge ESD	V <sub>VICC</sub> to GND		-24	24	V
		V <sub>HSD±</sub> to GND		-16	16	V
	Human Body Model, JEDEC JESD22-A114	Power to GND		4	kV	
		External Pins to GND (V <sub>HSD±</sub> , V <sub>VICC</sub> )				
System Side Pin (V <sub>HSD±</sub> , V <sub>OCC</sub> , S, /OE, FLAGB)		2				
Charged Device Model, JEDEC LESD22-C101	All Pins		1			

## Recommended Operating Conditions

The Recommended Operating Conditions table defines the conditions for actual device operation. Recommended operating conditions are specified to ensure optimal performance. ON does not recommend exceeding them or designing to Absolute Maximum Ratings.

Symbol	Parameter	Min.	Typ.	Max.	Unit
V <sub>VDD</sub>	Supply Voltage	2.7	4.2	5.5	V
V <sub>VICC</sub>	Type C Input Voltage	0		5.5	V
V <sub>OCC</sub>	Type C Output Voltage	0		5.5	V
I <sub>CCSW</sub>	Maximum CC Switch Current			1	A
V <sub>CNTRL</sub>	Control Input Voltage (SEL, /OE)	-0.5		V <sub>VDD</sub>	V
V <sub>SW</sub>	HSD/USB Switch I/O Voltage	-0.5		4.5	V
T <sub>A</sub>	Operating Temperature	-40		+85	C

## DC Electrical Characteristics

Unless otherwise specified: Recommended  $T_A$  and  $T_J$  temperature ranges. All typical values are at  $T_A=25^\circ\text{C}$  and  $V_{DD}=4.2\text{ V}$  unless otherwise specified.

Symbol	Parameter	$V_{DD}$ (V)	Conditions	$T_A = -40$ to $+85^\circ\text{C}$ $T_J = -40$ to $+125^\circ\text{C}$			Unit
				Min.	Typ.	Max.	
<b>Basic Operation Device</b>							
$I_{CC}$	Quiescent Supply Current	2.7 to 5.5	/OE = L, $I_{OUT} = 0$		9		$\mu\text{A}$
			/OE = H $I_{OUT} = 0$		9		
$I_{OFF}$	Power-Off Leakage Current	0			3		$\mu\text{A}$
<b>Basic Operation CC switch</b>							
$I_{SD(DB)}$	Dead Battery Supply Current	0 to UVLO	Dead Battery State Supply Current		15		$\mu\text{A}$
$R_{ON}$	CC Path On Resistance	2.7 to 5.5	$I_{OUT} = 200\text{ mA}$		350	480	$\text{m}\Omega$
$V_{OV\_TRIP}$	Input OVP Lockout	2.7 to 5.5	$V_{ICC}$ Rising		5.65	6.20	V
			$V_{ICC}$ Falling		5.3		
$V_{OV\_HYS}$	Input OVP Hysteresis	2.7 to 5.5			0.35		V
$V_{UVLO}$	Under-Voltage Lockout	2.7 to 5.5	$V_{DD}$ Rising		2.55	2.70	V
			$V_{DD}$ Falling		2.5		
TSD	Thermal Shutdown <sup>(1)</sup>		Shutdown Threshold		150		$^\circ\text{C}$
			Return from Shutdown		130		
			Hysteresis		20		
Rd	Dead Battery Pull-Down Resistance	0 to UVLO	Dead Battery Resistance	4.08	5.10	6.12	$\text{k}\Omega$
			Voltage on Pin	0.25		2.6	V
<b>Basic Operation HSD Switch</b>							
$V_{OV\_TRIP}$	Input OVP Lockout	2.7 to 5.5	$V_{HSD\pm}$ Rising		4.4	5.0	V
			$V_{HSD\pm}$ Falling		4.1		
$V_{OV\_HYS}$	Input OVP Hysteresis	2.7 to 5.5			0.3		V
$V_{UV\_TRIP}$	Input Under-Voltage Lockout	2.7 to 5.5			-1.2		V
$V_{IH}$	Input Voltage High	2.7 to 5.5		1.3			V
$V_{IL}$	Input Voltage Low	2.7 to 5.5				0.5	V
$I_{IN}$	Control Input Leakage	2.7 to 5.5	$V_{SW} = 0$ to $V_{DD}$		0.1		$\mu\text{A}$
$I_{OZ}$	Off State Leakage	4.2	$0 \leq \text{HSDn} \leq 3.6\text{ V}$		2		$\mu\text{A}$
		4.2	$0 \leq \text{HSD1n}_\pm, \text{HSD2n}_\pm \leq 3.6\text{ V}$		100		nA
$R_{ON}$	HS Switch On Resistance	4.2	$V_{SW} = 0.4\text{ V}, I_{ON} = -8\text{ mA}$		5		$\Omega$
$\Delta R_{ON}$	HS Delta $R_{ON}$	4.2	$V_{SW} = 0.4\text{ V}, I_{ON} = -8\text{ mA}$		0.1		$\Omega$

**Note:**

- Guaranteed by characterization, not production tested



## AC Electrical Characteristics

Unless otherwise specified: Recommended  $T_A$  and  $T_J$  temperature ranges. All typical values are at  $T_A=25^\circ\text{C}$  and  $V_{DD}=3.8\text{ V}$  unless otherwise specified.

Symbol	Parameter	$V_{DD}$ (V)	Conditions	$T_A = -40$ to $+85^\circ\text{C}$ $T_J = -40$ to $+125^\circ\text{C}$			Unit
				Min.	Typ.	Max.	
<b>CC Switch Timing Parameter</b>							
$t_{OVP}$	Response Time <sup>(2)</sup>	2.7 to 5.5	$I_{OUT} = 0.2\text{ A}$ , $C_L = 200\text{ pF}$ , $V_{ICCX} = 5\text{ V}$ to $6\text{ V}$		0.5	1.0	$\mu\text{s}$
$t_{ON}$	Turn-On Time		VDD Rising 2 V to 3 V		25		ms
$T_{MBS}$	Make-Before-Break	2.7 to 5.5	VDD Rising 2 V to 3 V		600		ns
<b>CC Switch Capacitance</b>							
$C_{ON}$	Switch Path On Capacitance <sup>(2)</sup>	2.7 to 5.5			100		pF
<b>CC Switch Bandwidth</b>							
BW	PD Traffic Bandwidth <sup>(2)</sup>	2.7 to 5.5	$R_L = 50\ \Omega$ , $C_L = 200\text{ pF}$		25		MHz
<b>HSD Switch Timing Parameter</b>							
$t_{OVP}$	Response Time <sup>(2)</sup>	2.7 to 5.5	$I_{OUT} = 0.2\text{ A}$ , $V_{D\pm} = 4\text{ V}$ to $5\text{ V}$		0.5	1.0	$\mu\text{s}$
$t_{ON}$	Turn-On Time, /OE to Output <sup>(2)</sup>	2.7 to 5.5	$R_L = 50\ \Omega$ , $C_L = 5\text{ pF}$ , $V_{SW} = 0.8\text{ V}$		25		ms
$t_{OFF}$	Turn-Off Time, /OE to Output <sup>(2)</sup>	2.7 to 5.5	$R_L = 50\ \Omega$ , $C_L = 5\text{ pF}$ , $V_{SW} = 0.8\text{ V}$		100	400	ns
$t_{PD}$	Propagation Delay <sup>(2)</sup>	2.7 to 5.5	$R_L = 50\ \Omega$ , $C_L = 5\text{ pF}$ ,		0.25		ns
$T_{BBS}$	Break-Before-Make <sup>(2)</sup>	2.7 to 5.5	$R_L = 50\ \Omega$ , $C_L = 5\text{ pF}$ , $V_{SWx} = 0.8\text{ V SEL} = \text{H} \leftrightarrow \text{L}$		100		$\mu\text{s}$
$O_{IRR}$	Off Isolation	2.7 to 5.5	$R_L = 50\ \Omega$ , $f = 240\text{ MHz}$		-25		dB
Xtalk	Non-Adjacent Channel Crosstalk	2.7 to 5.5	$R_L = 50\ \Omega$ , $f = 240\text{ MHz}$		-40		dB
<b>HSD Switch Capacitance</b>							
$C_{IN}$	Control Pin Input Capacitance <sup>(2)</sup>	0			1.5		pF
$C_{ON}$	HSD+/HSD- On Capacitance <sup>(2)</sup>	2.7 to 5.5	/OE = L, $f = 240\text{ MHz}$ ,		4		
$C_{OFF}$	HSD1 <sub>x</sub> , HSD2 <sub>x</sub> Off Capacitance <sup>(2)</sup>	2.7 to 5.5	/OE = H		2.5		
<b>USB Switch Bandwidth</b>							
BW	-3 db Bandwidth <sup>(2)</sup>	2.7 to 5.5	$R_L = 50\ \Omega$ , $C_L = 0\text{ pF}$		1400		MHz
		2.7 to 5.5	$R_L = 50\ \Omega$ , $C_L = 5\text{ pF}$		560		
<b>USB High-Speed-Related</b>							
$t_{SK(P)}$	Skew of Opposite Transitions of the Same Output <sup>(2)</sup>		$R_L = 50\ \Omega$ , $C_L = 5\text{ pF}$		25		ps
$t_J$	Total Jitter <sup>(2)</sup>		$R_L = 50\ \Omega$ , $C_L = 5\text{ pF}$ , $t_R = t_F = 500\text{ ps}$ (10-90%) at 480 Mbps (PRBS=2 <sup>15</sup> - 1)		200		ps

**Note:**

2. Guaranteed by characterization, not production tested.

## Operation and Application Description

### Out of Spec Surge/Spike Voltage due to Hot Plug

The FUSB252 protects end systems against 20 V DC on the CC pin, in cases where the FUSB252 is tested to mimic a hot plug event, a fully charged cable connected to a power supply set to 20 V is used to zap the VICC pins of the device. In these cases, the inductance of the cable causes voltage spikes that are higher than the absolute maximum ratings of the of the VICC pins. These voltages can cause damage to the VOCC pins. This scenario does not occur in normal usage. The Type-C specification prevents the plug from having 20V on VBUS from a PD source prior to a PD contract being completed. When the 20 V potential is on VBUS and shorted to the CC pin, it causes a detach and the voltage spikes are less likely to occur. The following reference circuit is required when the application calls for additional protection to protect against such event as hot plug.

### Application Specific Schematic

- Place a 5 V to 6 V rated Zener TVS diode such as (CZRF52C5V6 or CD1005-Z5V1) on the VOCC pin, and a 5 Ω resistor to device ground to prevent the FUSB252 from being damaged during these tests. With this additional protection if is also important to select the right external VICC IEC TVS for the best overall performance.
- Without the additional protection the device by itself can withstand up to 9 V under the same hot plug condition

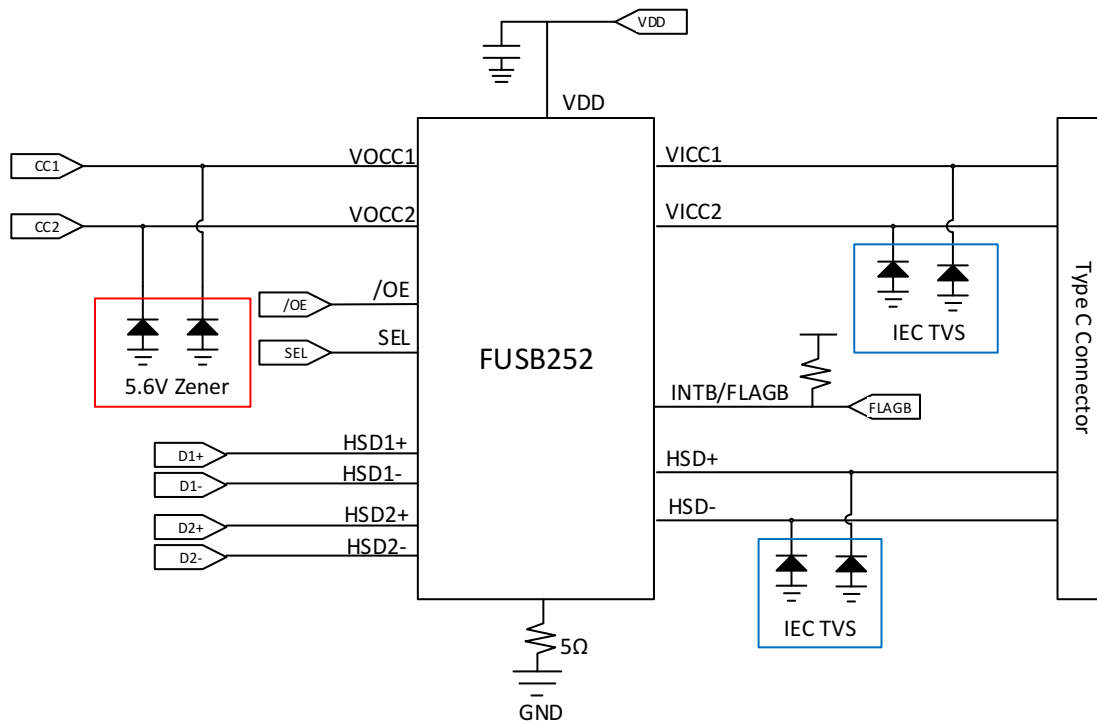


Figure 6. Reference Schematic

### Over-Voltage Protection

When over-voltage event is detected, device will activate OVP to shutdown the switch within  $t_{OVP}$ , as well as signal the FLAGB to indicate there is OV event to the system.

### Fault Reporting

Upon the detection of an over-voltage event, the INTB/FLAGB signals the fault by activating LOW.

### Type-C Solution Reference

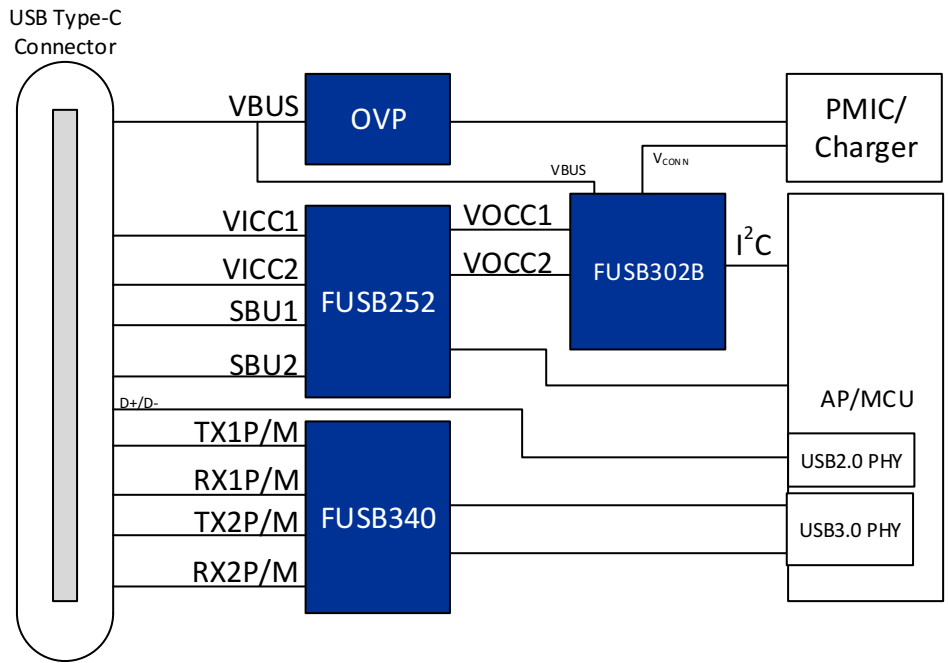


Figure 7. Example of Type-C Solution Reference (SBU)

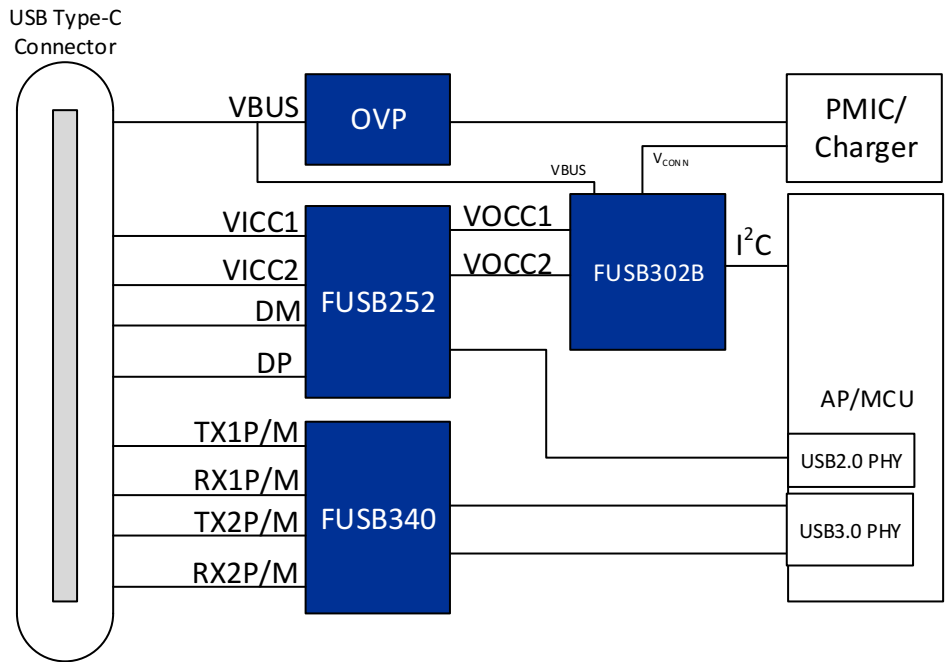
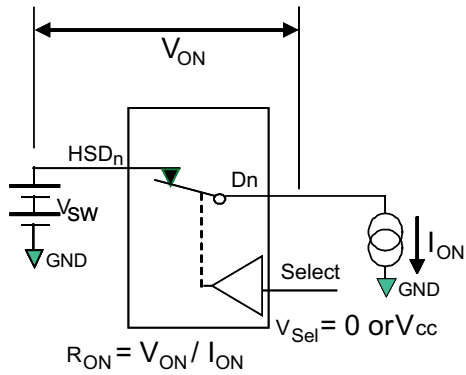
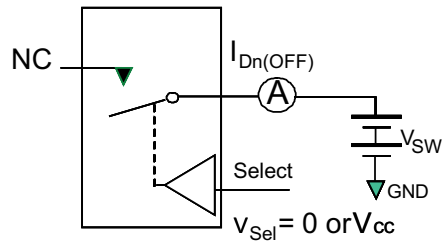


Figure 8. Example of Type-C Solution Reference (USB)

### Test Diagrams

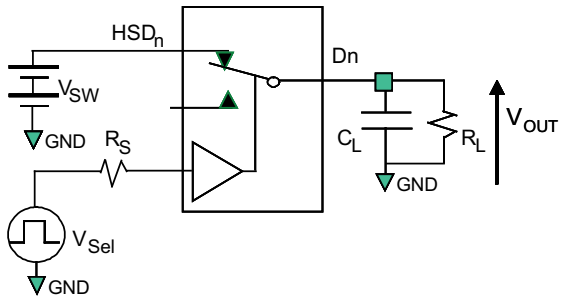


**Figure 9. On Resistance**



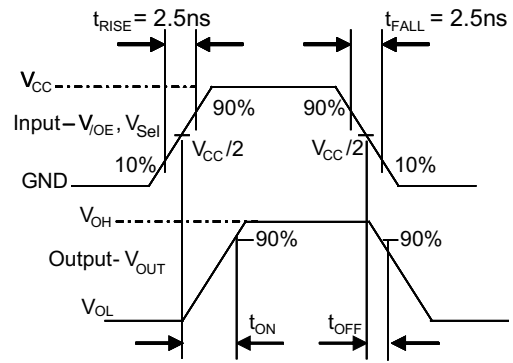
\*\*Each switch port is tested separately

**Figure 10. Off Leakage**

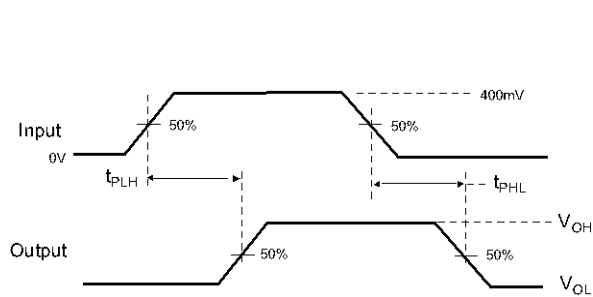


$R_L$ ,  $R_S$ , and  $C_L$  are functions of the application environment (see AC Tables for specific values)  
 $C_L$  includes test fixture and stray capacitance.

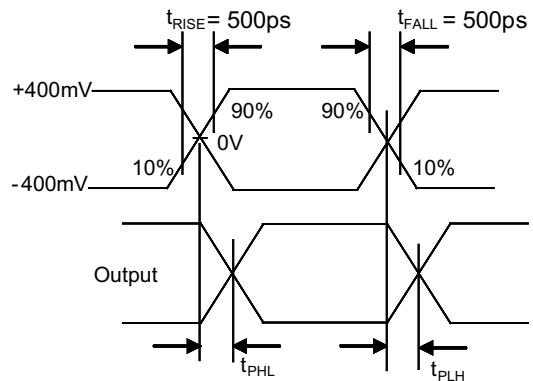
**Figure 11. AC Test Circuit Load**



**Figure 12. Turn-On / Turn-Off Waveforms**

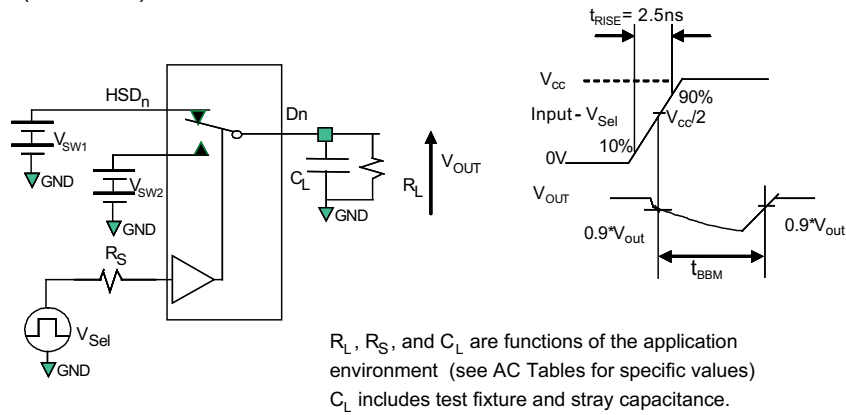


**Figure 13. Propagation Delay ( $t_{rtf} = 500 \text{ ps}$ )**

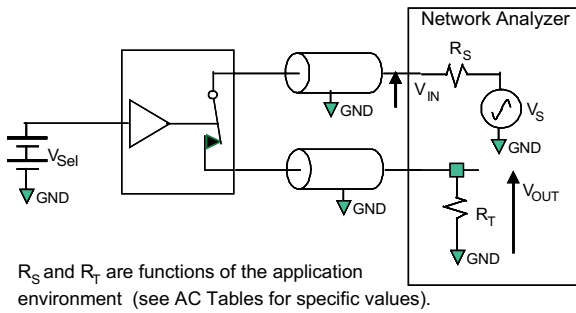


**Figure 14. Intra-Pair Skew Test  $t_{SK(P)}$**

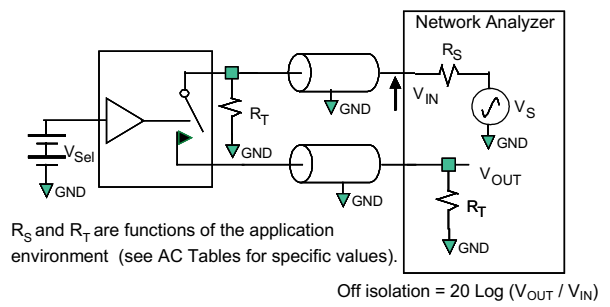
**Test Diagrams (Continued)**



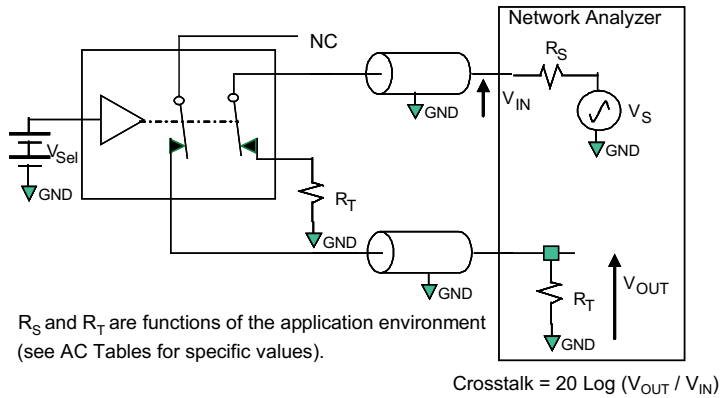
**Figure 15. Break-Before-Make Interval Timing**



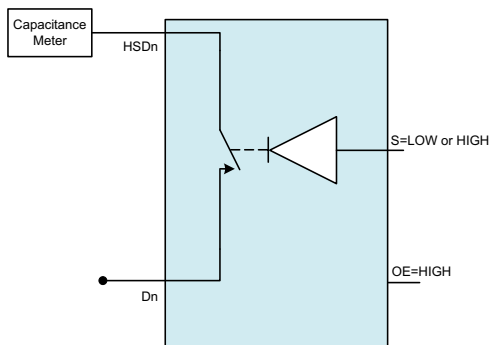
**Figure 16. Bandwidth**



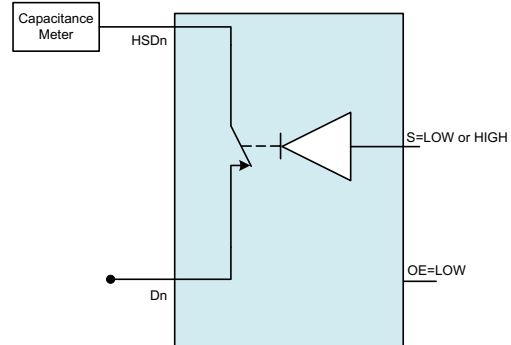
**Figure 17. Channel Off Isolation**



**Figure 18. Non-Adjacent Channel-to-Channel Crosstalk**



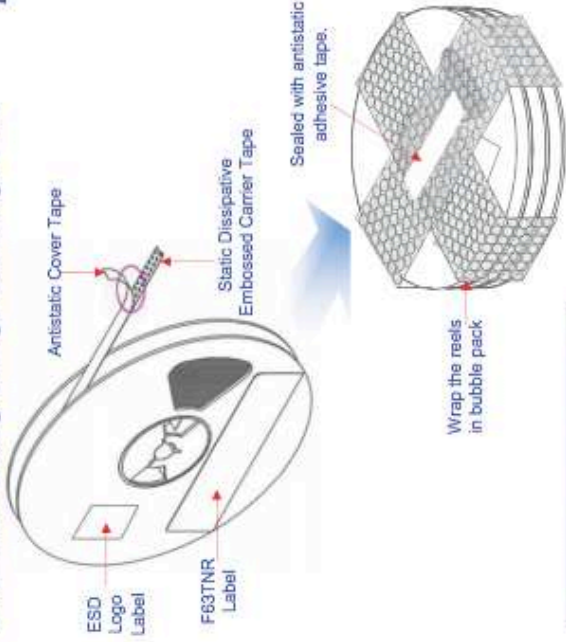
**Figure 19. Channel Off Capacitance**



**Figure 20. Channel On Capacitance**

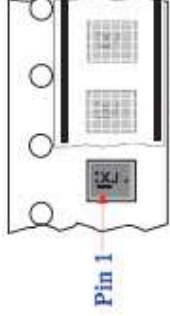
Package Information

UMLP16A Packing Configuration: Figure 1.0



UMLP16A Packing Information	
Packaging Option	Standard (no flow code)
Packaging type	TNR
Qty per Reel	5000
Reel Size	7" Dia
Box Dimension (mm)	193X183X80
Max qty per Box	15,000

Unit Orientation

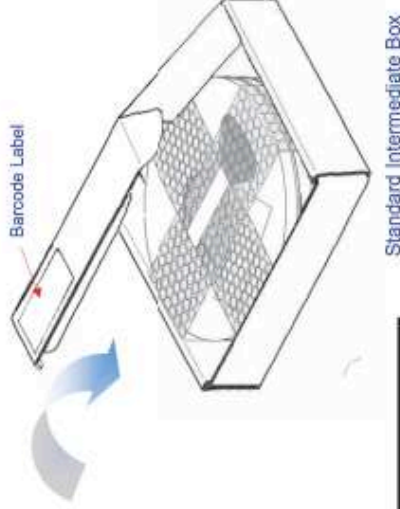


Packaging Description:

UMLP16 pins products are classified under Moisture Sensitive Level 1 at 260°C peak package body temperature.

The carrier tape is made from dissipative polystyrene or polycarbonate resin. The cover tape is a multilayer film primarily composed of polyester film, adhesive layer, heat activated sealant, and anti-static sprayed agent. These reeled parts in standard option are shipped with 5000 units per 178 mm diameter reel. Up to three reels are packed in each intermediate box. The reels is made of polystyrene plastic (anti-static coated or intrinsic).

These full reels are individually barcode labeled and placed inside a pizza box made of recyclable corrugated brown paper with a Fairchild logo printing. These pizza boxes are placed inside a barcode labeled shipping box which comes in different sizes depending on the number of parts shipped.



F63TNR Label Sample

LOT: PMH01008868 QTY: 5000

FSID: FXLA104QFX SPEC:

DIC1: P1323AF QTY1: SPEC REV: 2<sup>nd</sup> Level Interconnect

DIC2: QTY2: Green Component

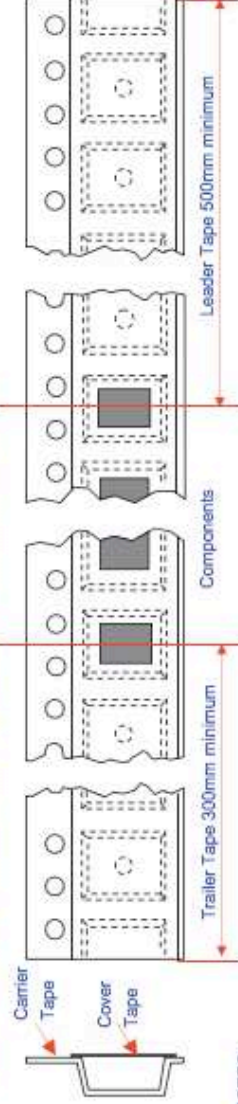
1. Category G3

2. Maximum safe temperature 260 deg C

3. MSL 1

FAIRCHILD SEMICONDUCTOR

UMLP16A Tape Leader and Trailer Configuration: Figure 2.0

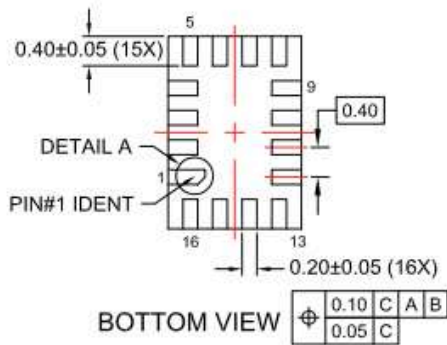
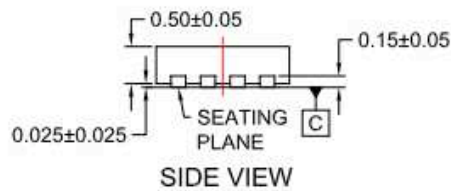
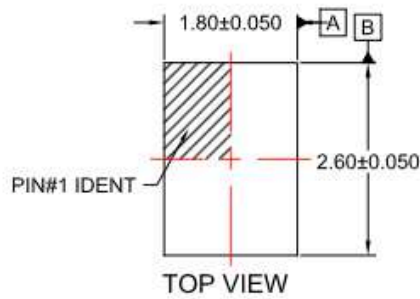


NOTES:  
 A : ALL DIMENSION ARE IN MILLIMETERS UNLESS OTHERWISE SPECIFIED  
 B : DRAWING FILE NAME : PKG-UMLP16AREV2



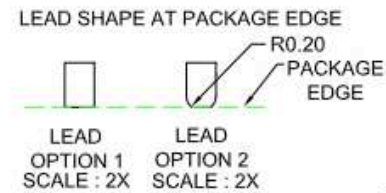
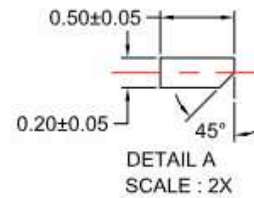
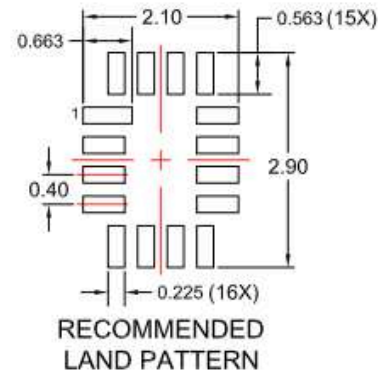


## Physical Dimensions



### NOTES:

- A. PACKAGE DOES NOT FULLY CONFORM TO JEDEC STANDARD.
- B. DIMENSIONS ARE IN MILLIMETERS.
- C. DIMENSIONS AND TOLERANCES PER ASME Y14.5M, 2009.
- D. LAND PATTERN RECOMMENDATION IS EXISTING INDUSTRY LAND PATTERN.
- E. DRAWING FILENAME: MKT-UMLP16ArevF.
- F. TERMINAL SHAPE MAY VARY ACCORDING TO PACKAGE SUPPLIER, SEE TERMINAL SHAPE VARIANTS.



**ON Semiconductor**



Figure 21. 16 Lead, UMLP, 0.55 mm x 1.8 mm x 2.6 mm

ON Semiconductor and the ON Semiconductor logo are trademarks of Semiconductor Components Industries, LLC dba ON Semiconductor or its subsidiaries in the United States and/or other countries. ON Semiconductor owns the rights to a number of patents, trademarks, copyrights, trade secrets, and other intellectual property. A listing of ON Semiconductor's product/patent coverage may be accessed at [www.onsemi.com/site/pdf/Patent-Marking.pdf](http://www.onsemi.com/site/pdf/Patent-Marking.pdf). ON Semiconductor reserves the right to make changes without further notice to any products herein. ON Semiconductor makes no warranty, representation or guarantee regarding the suitability of its products for any particular purpose, nor does ON Semiconductor assume any liability arising out of the application or use of any product or circuit, and specifically disclaims any and all liability, including without limitation special, consequential or incidental damages. Buyer is responsible for its products and applications using ON Semiconductor products, including compliance with all laws, regulations and safety requirements or standards, regardless of any support or applications information provided by ON Semiconductor. "Typical" parameters which may be provided in ON Semiconductor data sheets and/or specifications can and do vary in different applications and actual performance may vary over time. All operating parameters, including "Typicals" must be validated for each customer application by customer's technical experts. ON Semiconductor does not convey any license under its patent rights nor the rights of others. ON Semiconductor products are not designed, intended, or authorized for use as a critical component in life support systems or any FDA Class 3 medical devices or medical devices with a same or similar classification in a foreign jurisdiction or any devices intended for implantation in the human body. Should Buyer purchase or use ON Semiconductor products for any such unintended or unauthorized application, Buyer shall indemnify and hold ON Semiconductor and its officers, employees, subsidiaries, affiliates, and distributors harmless against all claims, costs, damages, and expenses, and reasonable attorney fees arising out of, directly or indirectly, any claim of personal injury or death associated with such unintended or unauthorized use, even if such claim alleges that ON Semiconductor was negligent regarding the design or manufacture of the part. ON Semiconductor is an Equal Opportunity/Affirmative Action Employer. This literature is subject to all applicable copyright laws and is not for resale in any manner.

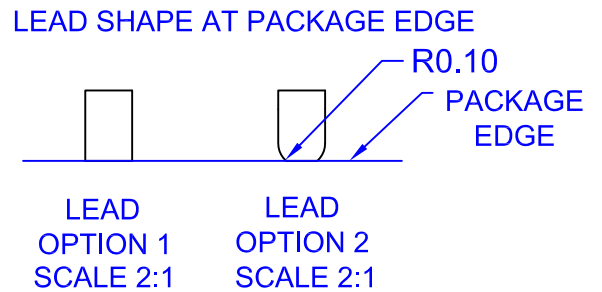
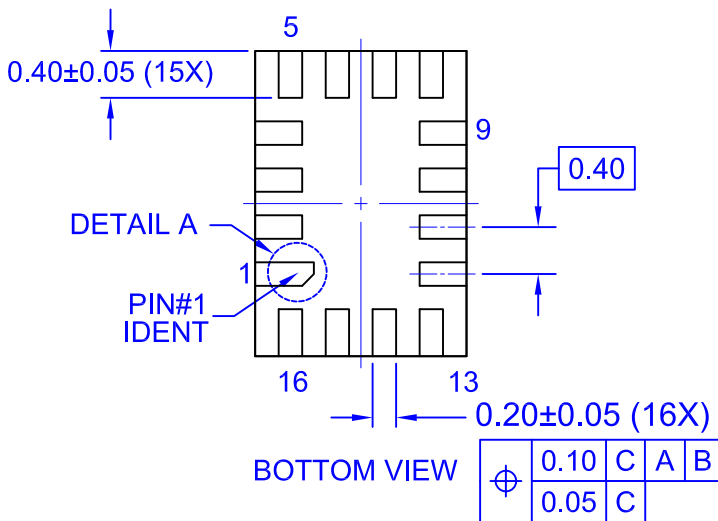
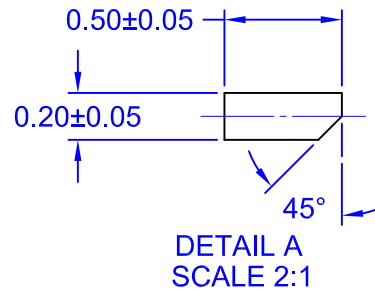
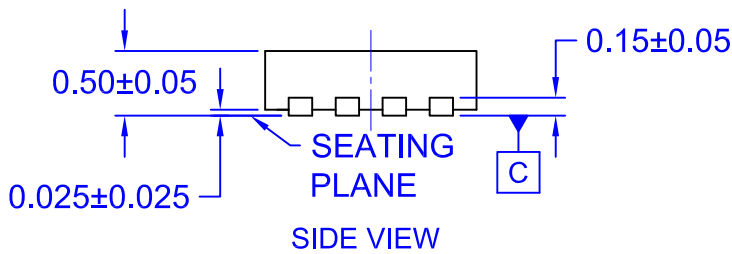
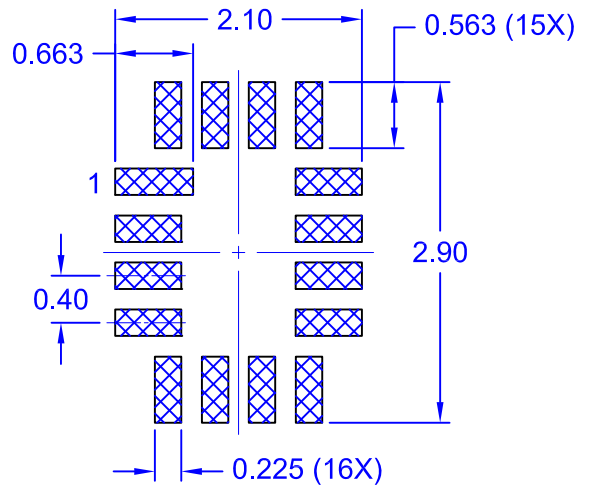
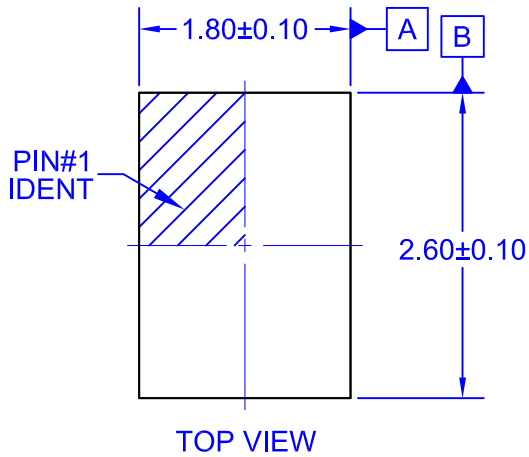
**PUBLICATION ORDERING INFORMATION**

**LITERATURE FULFILLMENT:**

Literature Distribution Center for ON Semiconductor  
 19521 E. 32nd Pkwy, Aurora, Colorado 80011 USA  
**Phone:** 303-675-2175 or 800-344-3860 Toll Free USA/Canada  
**Fax:** 303-675-2176 or 800-344-3867 Toll Free USA/Canada  
**Email:** [orderlit@onsemi.com](mailto:orderlit@onsemi.com)

**N. American Technical Support:** 800-282-9855 Toll Free  
 USA/Canada.  
**Europe, Middle East and Africa Technical Support:**  
 Phone: 421 33 790 2910  
**Japan Customer Focus Center**  
 Phone: 81-3-5817-1050

**ON Semiconductor Website:** [www.onsemi.com](http://www.onsemi.com)  
**Order Literature:** <http://www.onsemi.com/orderlit>  
 For additional information, please contact your local  
 Sales Representative



NOTES:

- A. PACKAGE DOES NOT FULLY CONFORM TO JEDEC STANDARD.
- B. DIMENSIONS ARE IN MILLIMETERS.
- C. LAND PATTERN RECOMMENDATION IS EXISTING INDUSTRY LAND PATTERN.
- D. DRAWING FILENAME: MKT-UMLP16ArevG.
- E. TERMINAL SHAPE MAY VARY ACCORDING TO PACKAGE SUPPLIER, SEE TERMINAL SHAPE VARIANTS.

ON Semiconductor



ON Semiconductor and  are trademarks of Semiconductor Components Industries, LLC dba ON Semiconductor or its subsidiaries in the United States and/or other countries. ON Semiconductor owns the rights to a number of patents, trademarks, copyrights, trade secrets, and other intellectual property. A listing of ON Semiconductor's product/patent coverage may be accessed at [www.onsemi.com/site/pdf/Patent-Marking.pdf](http://www.onsemi.com/site/pdf/Patent-Marking.pdf). ON Semiconductor reserves the right to make changes without further notice to any products herein. ON Semiconductor makes no warranty, representation or guarantee regarding the suitability of its products for any particular purpose, nor does ON Semiconductor assume any liability arising out of the application or use of any product or circuit, and specifically disclaims any and all liability, including without limitation special, consequential or incidental damages. Buyer is responsible for its products and applications using ON Semiconductor products, including compliance with all laws, regulations and safety requirements or standards, regardless of any support or applications information provided by ON Semiconductor. "Typical" parameters which may be provided in ON Semiconductor data sheets and/or specifications can and do vary in different applications and actual performance may vary over time. All operating parameters, including "Typicals" must be validated for each customer application by customer's technical experts. ON Semiconductor does not convey any license under its patent rights nor the rights of others. ON Semiconductor products are not designed, intended, or authorized for use as a critical component in life support systems or any FDA Class 3 medical devices or medical devices with a same or similar classification in a foreign jurisdiction or any devices intended for implantation in the human body. Should Buyer purchase or use ON Semiconductor products for any such unintended or unauthorized application, Buyer shall indemnify and hold ON Semiconductor and its officers, employees, subsidiaries, affiliates, and distributors harmless against all claims, costs, damages, and expenses, and reasonable attorney fees arising out of, directly or indirectly, any claim of personal injury or death associated with such unintended or unauthorized use, even if such claim alleges that ON Semiconductor was negligent regarding the design or manufacture of the part. ON Semiconductor is an Equal Opportunity/Affirmative Action Employer. This literature is subject to all applicable copyright laws and is not for resale in any manner.

## PUBLICATION ORDERING INFORMATION

### LITERATURE FULFILLMENT:

Literature Distribution Center for ON Semiconductor  
19521 E. 32nd Pkwy, Aurora, Colorado 80011 USA  
**Phone:** 303-675-2175 or 800-344-3860 Toll Free USA/Canada  
**Fax:** 303-675-2176 or 800-344-3867 Toll Free USA/Canada  
**Email:** [orderlit@onsemi.com](mailto:orderlit@onsemi.com)

**N. American Technical Support:** 800-282-9855 Toll Free  
USA/Canada  
**Europe, Middle East and Africa Technical Support:**  
Phone: 421 33 790 2910  
**Japan Customer Focus Center**  
Phone: 81-3-5817-1050

**ON Semiconductor Website:** [www.onsemi.com](http://www.onsemi.com)  
**Order Literature:** <http://www.onsemi.com/orderlit>  
For additional information, please contact your local  
Sales Representative