



Chipsmall Limited consists of a professional team with an average of over 10 year of expertise in the distribution of electronic components. Based in Hongkong, we have already established firm and mutual-benefit business relationships with customers from,Europe,America and south Asia,supplying obsolete and hard-to-find components to meet their specific needs.

With the principle of “Quality Parts,Customers Priority,Honest Operation,and Considerate Service”,our business mainly focus on the distribution of electronic components. Line cards we deal with include Microchip,ALPS,ROHM,Xilinx,Pulse,ON,Everlight and Freescale. Main products comprise IC,Modules,Potentiometer,IC Socket,Relay,Connector.Our parts cover such applications as commercial,industrial, and automotives areas.

We are looking forward to setting up business relationship with you and hope to provide you with the best service and solution. Let us make a better world for our industry!



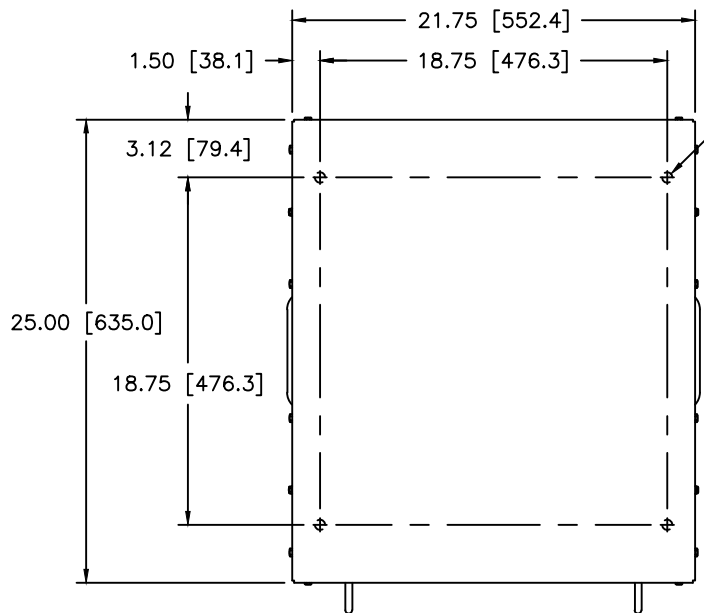
## Contact us

Tel: +86-755-8981 8866 Fax: +86-755-8427 6832

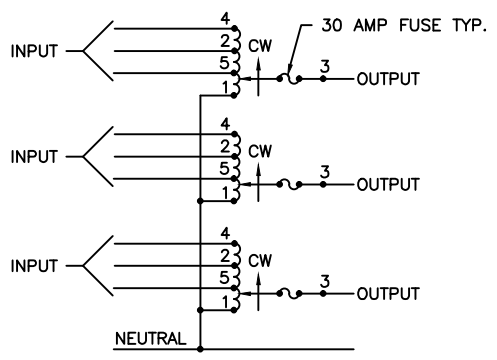
Email & Skype: info@chipsmall.com Web: www.chipsmall.com

Address: A1208, Overseas Decoration Building, #122 Zhenhua RD., Futian, Shenzhen, China





.56 [14.3] DIA. HOLE  
 4 PLACES ON BOTTOM  
 FLANGES FOR CUSTOMER  
 MOUNTING



SCHEMATIC

**NOTE:**  
 SEE THE FRC-20 USER'S HANDBOOK, FORM #003-1922 FOR DETAILED INFORMATION.

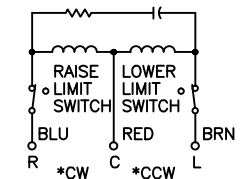
**CONTROLS:**

**CONTROLLER ON/OFF SWITCH:** THIS SWITCH TURNS OFF POWER TO THE CONTROLLER ONLY.

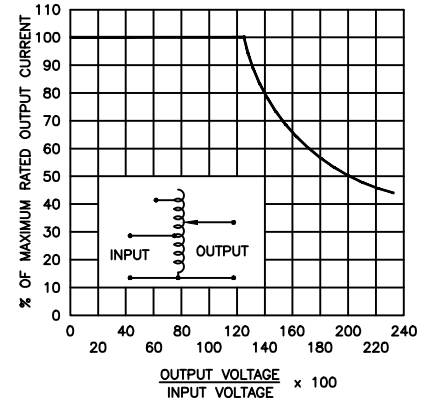
**OUTPUT ADJUSTMENT:** THIS POTENTIOMETER CONTROL IS ROTATED CLOCKWISE TO INCREASE OUTPUT VOLTAGE SET POINT AND COUNTERCLOCKWISE TO DECREASE THE OUTPUT VOLTAGE SET POINT.

**VOLTMETER:** THE ANALOG VOLTMETER INDICATES THE REGULATED OUTPUT VOLTAGE SETTING.

**RAISE/LOWER SWITCH:** THIS SWITCH IS LOCATED INTERNALLY AND IS ACCESSIBLE FROM THE FRONT VIA THE REMOVABLE ACCESS PANEL. THE SWITCH ALLOWS THE REGULATOR TO BE MANUALLY CONTROLLED.



**MOTOR CIRCUIT**  
 120V, 50/60 HZ  
 \* ROTATION AS VIEWED  
 FROM TOP END  
 MOTOR SPEEDS: SEE CHART



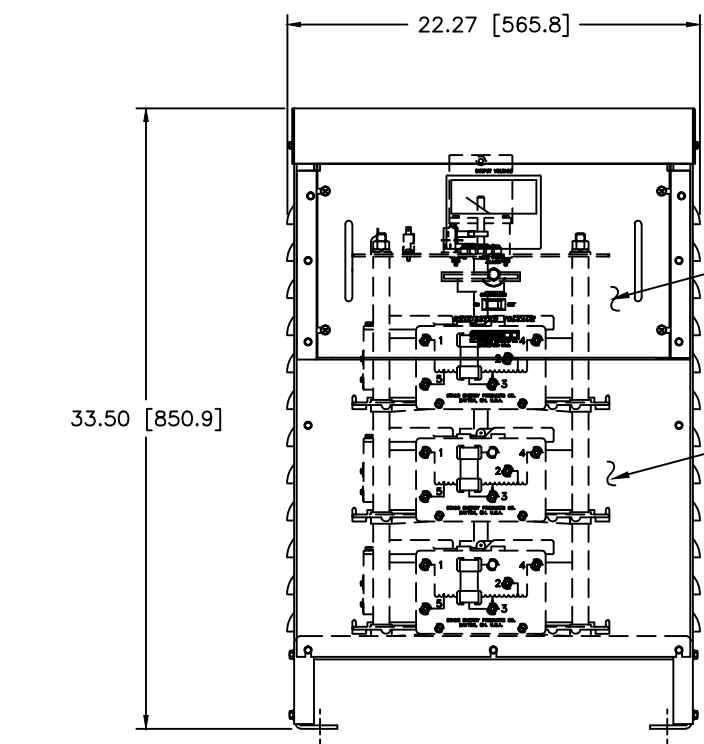
**FIGURE A**  
 MAXIMUM OUTPUT CURRENT OF ANY  
 DUAL INPUT VOLTAGE OR VOLTAGE DOUBLER  
 UNIT OPERATED AT LOWER INPUT VOLTAGE.

\* MAXIMUM OUTPUT CURRENT IN OUTPUT VOLTAGE RANGE FROM 0 TO 25 PERCENT ABOVE LINE VOLTAGE. AT HIGHER OUTPUT VOLTAGES, OUTPUT CURRENT MUST BE REDUCED ACCORDING TO RATING CURVE (SEE FIGURE A).

++ MAXIMUM KVA AT MAXIMUM OUTPUT AND CORRESPONDING DE-RATED CURRENT. MAXIMUM KVA AT LOWER OUTPUT VOLTAGES MAY BE CALCULATED FROM RATING CURVE, (SEE FIGURE A).

V.D. = VOLTAGE DOUBLER.

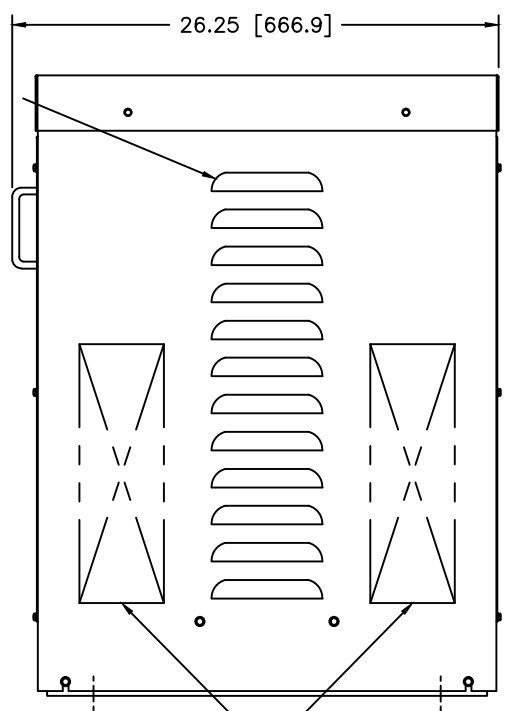
SPEED (SECONDS)	MODEL NUMBER
5	FV5M5021E-3Y
15	FV15M5021E-3Y
30	FV30M5021E-3Y
60	FV60M5021E-3Y



LOUVER VENTS  
 BOTH SIDES

SEE SHEET #2  
 FOR PANEL DETAILS

ACCESS PANEL TO  
 FUSES & TERMINALS



RECOMMENDED AREAS  
 FOR CONDUIT ENTRY

WIRING	INPUT		OUTPUT		SHAFT ROTATION FOR VOLTAGE INCREASE	TERMINAL CONNECTIONS FOR INCREASING VOLTAGE AS VIEWED FROM TOP		
	VOLTS	HERTZ	VOLTS	CONSTANT CURRENT LOAD		INPUT	OUTPUT	
				MAX. AMPS				MAX. KVA
THREE PHASE WYE	480	50/60	0-480	28	23.3	CW	4-4-4 3-3-3	
		60	0-560	28	27.2	CW	2-2-2 3-3-3	
	240	60	0-560	28-12 V.D.	11.8 ++	CW	5-5-5 3-3-3	

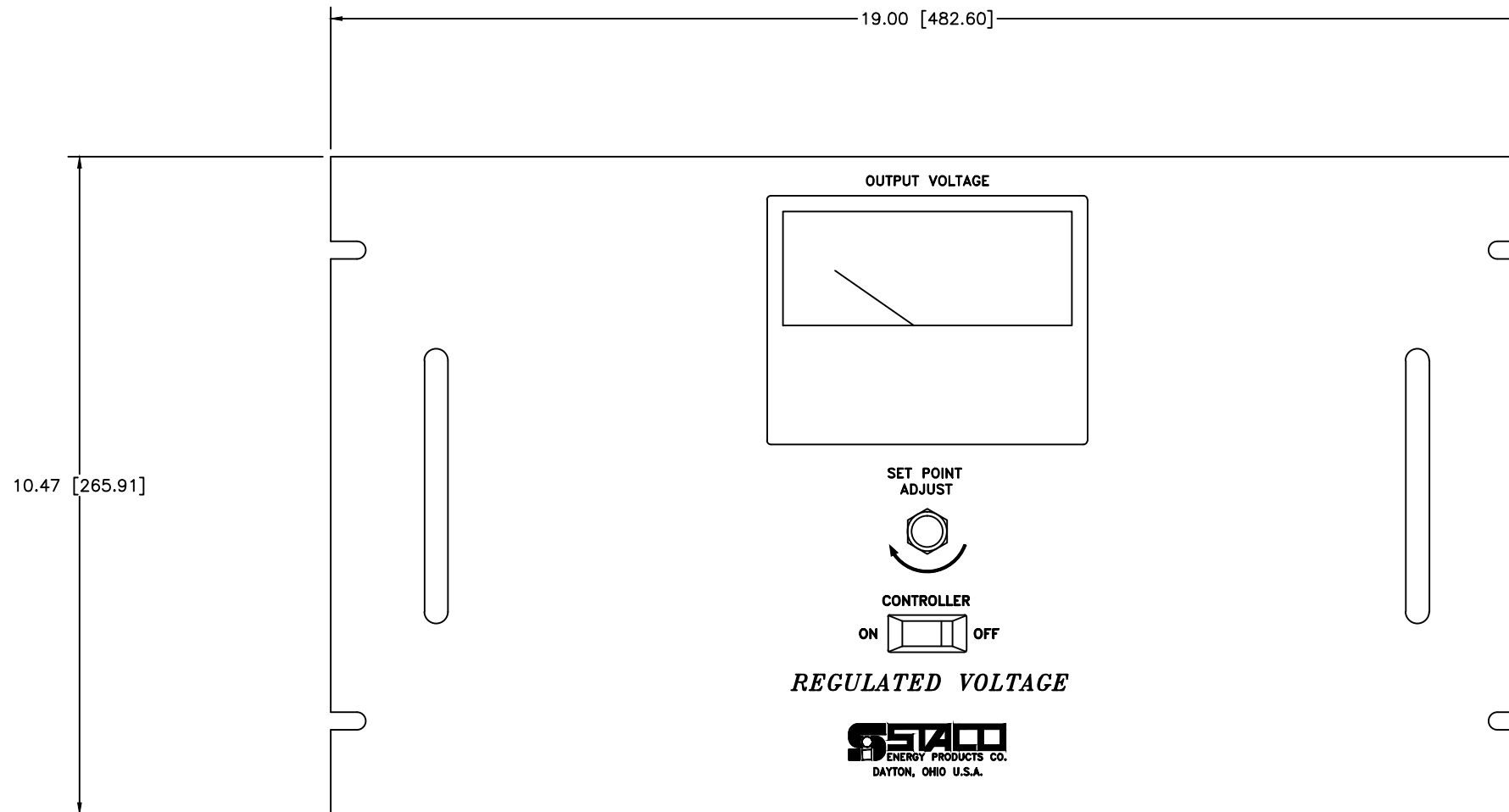
UNLESS OTHERWISE SPECIFIED, TOLERANCE IS:  
 DECIMALS .005 INCHES .12 MILLIMETERS ANGLES 1/2° DIMS 1/16"

DATE: 12/15/99  
 DRAWN BY: TIM RAU  
 CHECKER: [ ]  
 ENGINEER: [ ]

TITLE: SPEC. CONTROL DRAWING  
 MOTORIZED VARIABLE XFMR.  
 TYPE: FVM5021E-3Y

STACO ENERGY PRODUCTS CO.  
 A COMPANY OF AMERICA ENERGY  
 DAYTON, OHIO U.S.A.

SCALE: .25=1 SHEET 1 OF 2  
 D 031-8291



UNLESS OTHERWISE SPECIFIED, TOLERANCE IS ±		TITLES		DRAWN BY		DATE		FIRST USED ON		DO NOT SCALE DWG.	
DECIMALS	HOLES	ANGLES	DIMETS	SPEC. CONTROL DRAWING		TIM RAU		12/15/99		SCALE DWG.	
3/16	1/16	1°	1/16"	MOTORIZED VARIABLE XFMR		CHECKER		WEIGHT APPROV.		DWG. NO.	
3/32	1/32			TYPE: FVM5021E-3Y		ENGINEER		SCALE		DWG. NO.	
MATERIAL:				ALL DIMENSIONS APPLY AFTER PLATING				SCALE 1=1		SHEET 2 OF 2	
<p>The information and design disclosed herein was originated by and is the property of STACO ENERGY PRODUCTS CO., which reserves all patent, proprietary, design, manufacturing, reproduction, use and sale rights therein, and to any articles disclosed therein, except to the extent rights are expressly granted to others. The foregoing does not apply to vendor proprietary parts.</p>											
<p>STACO ENERGY PRODUCTS CO. DAYTON, OHIO U.S.A.</p>										<p>STACO ENERGY PRODUCTS CO. A Columbus Corporation of America Company 301 Geddes Boulevard Dayton, Ohio 45403 USA</p>	
										D 031-8291	