



Chipsmall Limited consists of a professional team with an average of over 10 year of expertise in the distribution of electronic components. Based in Hongkong, we have already established firm and mutual-benefit business relationships with customers from,Europe,America and south Asia,supplying obsolete and hard-to-find components to meet their specific needs.

With the principle of "Quality Parts,Customers Priority,Honest Operation,and Considerate Service",our business mainly focus on the distribution of electronic components. Line cards we deal with include Microchip,ALPS,ROHM,Xilinx,Pulse,ON,Everlight and Freescale. Main products comprise IC,Modules,Potentiometer,IC Socket,Relay,Connector.Our parts cover such applications as commercial,industrial, and automotives areas.

We are looking forward to setting up business relationship with you and hope to provide you with the best service and solution. Let us make a better world for our industry!



Contact us

Tel: +86-755-8981 8866 Fax: +86-755-8427 6832

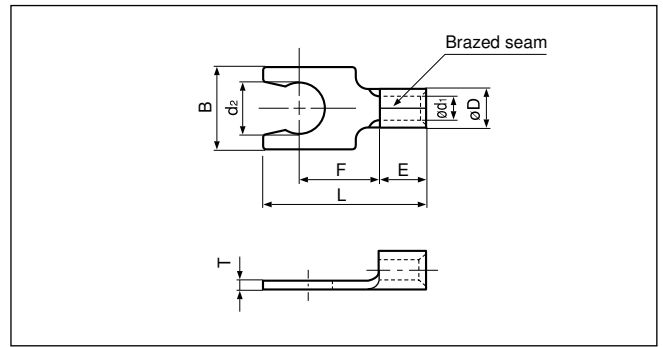
Email & Skype: info@chipsmall.com Web: www.chipsmall.com

Address: A1208, Overseas Decoration Building, #122 Zhenhua RD., Futian, Shenzhen, China



Solderless terminals

LOCKING SPADE TONGUE (LS type) Non-insulated



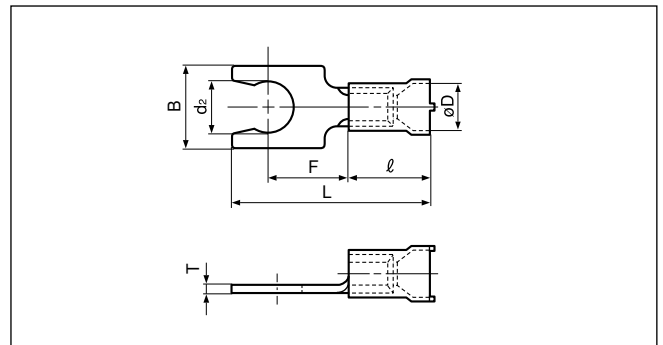
Certificate No.: E42024

Applicable Wire AWG#(mm ²)	Stud size		Part No.	Standard	Dimensions mm (in.)								Tool No.	Qty/box
	American	Metric			d ₂	B	L	F	E	ø D	ø d ₁	T		
22 to 16 (0.25 to 1.65)	6	3.5	1.25-3.5LS		3.7 (.146)	6.4 (.252)	13.6 (.535)	5.9 (.232)	4.8 (.189)	3.3 (.130)	1.9 (.075)	0.7 (.028)	YHT-2210 YA-1 YA-2 YA-4 BCT-0514	1,000
	8	4	1.25-4LS		4.3 (.169)	7.1 (.280)	16.0 (.630)	7.2 (.283)						
	10	5	1.25-5LS		5.3 (.209)	8.4 (.331)	17.0 (.669)	8.2 (.323)						
16 to 14 (1.04 to 2.63)	6	3.5	2-3.5LS		3.7 (.146)	6.4 (.252)	14.0 (.551)	6.3 (.248)	4.8 (.189)	4.0 (.157)	2.3 (.091)	0.8 (.031)	YHT-2210 YA-1 YA-2 YA-4 BCT-0514	1,000
	8	4	2-4LS		4.3 (.169)	7.1 (.280)	16.0 (.630)	7.4 (.291)						
	10	5	2-5LS		5.3 (.209)	8.4 (.331)	17.0 (.669)	8.4 (.331)						
12 to 10 (2.63 to 6.64)	6	3.5	5.5-3.5LS		3.7 (.146)	7.9 (.311)	18.2 (.717)	7.1 (.280)	6.8 (.268)	5.5 (.217)	3.6 (.142)	0.9 (.035)	YHT-2210 YA-1 YA-2 YA-4 BCT-0514	500
	8	4	5.5-4LS		4.3 (.169)	7.9 (.311)	18.2 (.717)	7.1 (.280)						
	10	5	5.5-5LS		5.3 (.209)	8.4 (.331)	18.2 (.717)	7.1 (.280)						

Note:1) The part numbers indicated in the above table are for products with a brazed seam.
2) Delivery lead times may vary depending on the product. Contact JST for details.

Solderless terminals

LOCKING SPADE TONGUE (LS type) Vinyl-insulated (funnel-entry)

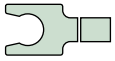


Certificate No.: E42024

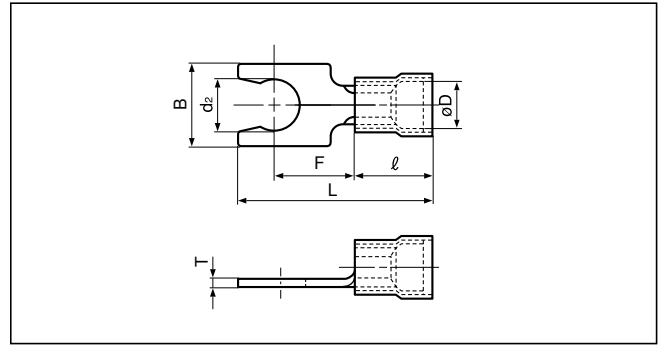
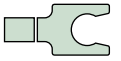
Applicable Wire AWG#(mm ²)	Stud size		Part No.	Standard	Dimensions mm (in.)								Color	Tool No.	Qty/box
	American	Metric			d ₂	B	L	F	l	ø D	T				
22 to 16 *(0.25 to 1.65)	6	3.5	FVL1.25-3.5LS		3.7 (.146)	6.4 (.252)	18.2 (.717)	5.9 (.232)	9.4 (.370)	4.0 (.157)	0.7 (.028)	Red	YNT-2216 YA-1 YA-2 YA-4 BCT-0514	1,000	
	8	4	FVL1.25-4LS		4.3 (.169)	7.1 (.280)	20.6 (.811)	7.2 (.283)							
	10	5	FVL1.25-5LS		5.3 (.209)	8.4 (.331)	21.6 (.850)	8.2 (.323)							
16 to 14 (1.04 to 2.63)	6	3.5	FVL2-3.5LS		3.7 (.146)	6.4 (.252)	18.6 (.732)	6.3 (.248)	9.4 (.370)	4.5 (.177)	0.8 (.031)	Blue	YNT-1614 YA-1 YA-2 YA-4 BCT-0514	1,000	
	8	4	FVL2-4LS		4.3 (.169)	7.1 (.280)	20.6 (.811)	7.4 (.291)							
	10	5	FVL2-5LS		5.3 (.209)	8.4 (.331)	21.6 (.850)	8.4 (.331)							
12 to 10 (2.63 to 6.64)	6	3.5	FVL5.5-3.5LS		3.7 (.146)	7.9 (.311)	25.2 (.992)	7.1 (.280)	13.8 (.543)	6.8 (.268)	0.9 (.035)	Yellow	YNT-1210S YA-4 BCT-0514	500	
	8	4	FVL5.5-4LS		4.3 (.169)	7.9 (.311)	25.2 (.992)	7.1 (.280)							
	10	5	FVL5.5-5LS		5.3 (.209)	8.4 (.331)	25.2 (.992)	7.1 (.280)							


Note:1) The part numbers indicated in the above table are for products with a brazed seam.
2) *The crimping will be more secure if the total cross-sectional area of the wire is at least 0.5 mm².
Examples: If the cross-sectional area of the wire is 0.3mm², fold the wire in two when crimping the terminal.
If the cross-sectional area of the wire is 0.5mm², crimp the terminal onto the wire as it is.
3) Delivery lead times may vary depending on the product. Contact JST for details.




Solderless terminals



LOCKING SPADE TONGUE (LS type) Nylon-insulated with copper sleeve



Certificate No.:  E42024

Applicable Wire AWG#(mm ²)	Stud size		Part No.	Standard	Dimensions mm (in.)							Color	Tool No.	Qty/box
	American	Metric			d ₂	B	L	F	ℓ	øD	T			
22 to 16 (0.25 to 1.65)	6	3.5	FND1.25-3.5LS		3.7 (.146)	6.4 (.252)	18.4 (.724)	5.9 (.232)	9.6 (.378)	4.0 (.157)	0.7 (.028)	Red	YNT-2216 YA-1 YA-2 YA-4 BCT-0514	1,000
	8	4	FND1.25-4LS		4.3 (.169)	7.1 (.280)	20.8 (.819)	7.2 (.283)						
	10	5	FND1.25-5LS		5.3 (.209)	8.4 (.331)	21.8 (.858)	8.2 (.323)						
16 to 14 (1.04 to 2.63)	6	3.5	FND2-3.5LS		3.7 (.146)	6.4 (.252)	18.8 (.740)	6.3 (.248)	9.6 (.378)	4.7 (.185)	0.8 (.031)	Blue	YNT-1614 YA-1 YA-2 YA-4 BCT-0514	1,000
	8	4	FND2-4LS		4.3 (.169)	7.1 (.280)	20.8 (.819)	7.4 (.291)						
	10	5	FND2-5LS		5.3 (.209)	8.4 (.331)	21.8 (.858)	8.4 (.331)						
12 to 10 (2.63 to 6.64)	6	3.5	FND5.5-3.5LS		3.7 (.146)	7.9 (.311)	25.4(1.000)	7.1 (.280)	14.0 (.551)	6.5 (.256)	0.9 (.035)	Yellow	YNT-1210S YA-4 BCT-0514	500
	8	4	FND5.5-4LS		4.3 (.169)	7.9 (.311)	25.4(1.000)	7.1 (.280)						
	10	5	FND5.5-5LS		5.3 (.209)	8.4 (.331)	25.4(1.000)	7.1 (.280)						

Note: 1) The part numbers indicated in the above table are for products with a brazed seam.
 2) Delivery lead times may vary depending on the product. Contact JST for details.