



Chipsmall Limited consists of a professional team with an average of over 10 year of expertise in the distribution of electronic components. Based in Hongkong, we have already established firm and mutual-benefit business relationships with customers from,Europe,America and south Asia,supplying obsolete and hard-to-find components to meet their specific needs.

With the principle of "Quality Parts,Customers Priority,Honest Operation,and Considerate Service",our business mainly focus on the distribution of electronic components. Line cards we deal with include Microchip,ALPS,ROHM,Xilinx,Pulse,ON,Everlight and Freescale. Main products comprise IC,Modules,Potentiometer,IC Socket,Relay,Connector.Our parts cover such applications as commercial,industrial, and automotives areas.

We are looking forward to setting up business relationship with you and hope to provide you with the best service and solution. Let us make a better world for our industry!



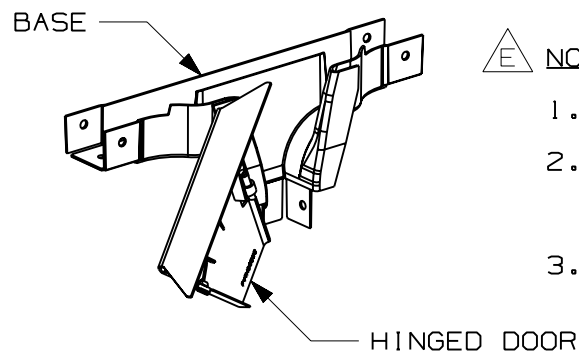
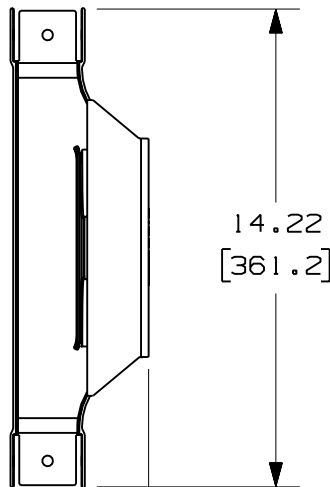
Contact us

Tel: +86-755-8981 8866 Fax: +86-755-8427 6832

Email & Skype: info@chipsmall.com Web: www.chipsmall.com

Address: A1208, Overseas Decoration Building, #122 Zhenhua RD., Futian, Shenzhen, China

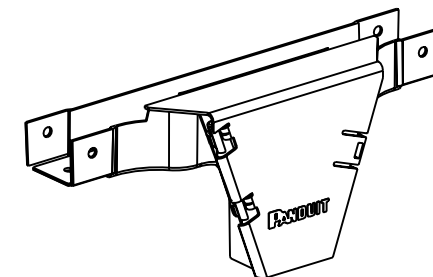
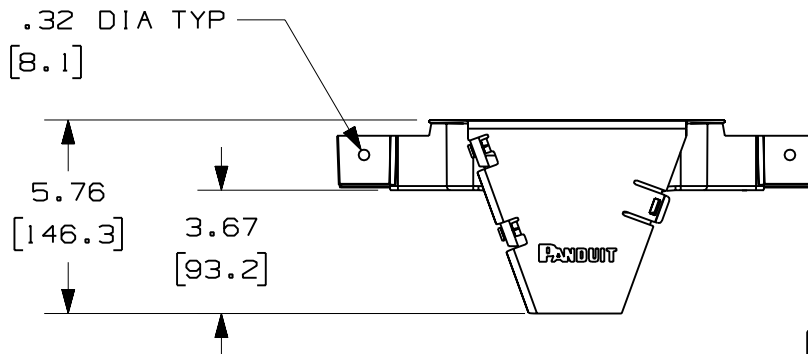
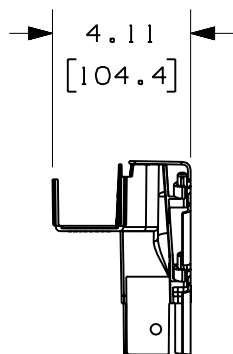




E NOTES:

1. SEE CURRENT CATALOG FOR ADDITIONAL PART SUFFIXES TO INDICATE COLOR AND/OR PACKAGE QUANTITY.
2. THE FIBER-DUCT 2x2 AND FIBERRUNNER 2x2 VERTICAL TEE FITTING INCLUDES:
ONE (1) VERTICAL TEE BASE,
ONE (1) HINGED DOOR
3. DIMENSIONS IN PARENTHESES ARE IN METRIC.

PANDUIT PART NUMBER	WEIGHT
FVTHD2X2	0.55 LB/EACH (251g/EACH)



ENG. REF.: D38239BD_DC_FVTHD2X2_01.prt

CAD FILENAME/LAYERS: **C** FVTHD2X2.pdf

PANDUIT CORP TINLEY PARK, ILLINOIS
 FIBER-DUCT 2x2 AND FIBERRUNNER
 2x2 **B** VERTICAL TEE FITTING (FVTHD2X2)
 CUSTOMER DRAWING

UNLESS OTHERWISE SPECIFIED,
 DIMENSIONAL TOLERANCES ARE:
 (.X) ± (.XXX) ±
 (.XX) ± .03 (.8) ANGLES ±

UNLESS OTHERWISE SPECIFIED,
 ALL DIMENSIONS ARE GIVEN IN
 INCHES, THIRD ANGLE PROJECTION.

REV	DATE	BY	CHK	DESCRIPTION	ECN	R	CUST	SUP	GMBH
-	-----	---	--	E. REVISED GENERAL NOTES	-----	--	--		
-	-----	---	--	D. REVISED PART WEIGHT C. REVISED CAD FILENAME	-----	--	--		
1	7-25-06	DTP	RN	B. REVISED DRAWING TITLE A. REVISED AND REDRAWN	38239-04	RN	RN		

DRAWN BY: JHNU
 DATE: 2-21-02
 CHK'D: CEO

MAT'L: ABS

SCALE: NONE
 DRAWING NO.: 38239-04
 DWG SIZE: A