



Chipsmall Limited consists of a professional team with an average of over 10 year of expertise in the distribution of electronic components. Based in Hongkong, we have already established firm and mutual-benefit business relationships with customers from,Europe,America and south Asia,supplying obsolete and hard-to-find components to meet their specific needs.

With the principle of “Quality Parts,Customers Priority,Honest Operation,and Considerate Service”,our business mainly focus on the distribution of electronic components. Line cards we deal with include Microchip,ALPS,ROHM,Xilinx,Pulse,ON,Everlight and Freescale. Main products comprise IC,Modules,Potentiometer,IC Socket,Relay,Connector.Our parts cover such applications as commercial,industrial, and automotives areas.

We are looking forward to setting up business relationship with you and hope to provide you with the best service and solution. Let us make a better world for our industry!



## Contact us

Tel: +86-755-8981 8866 Fax: +86-755-8427 6832

Email & Skype: info@chipsmall.com Web: www.chipsmall.com

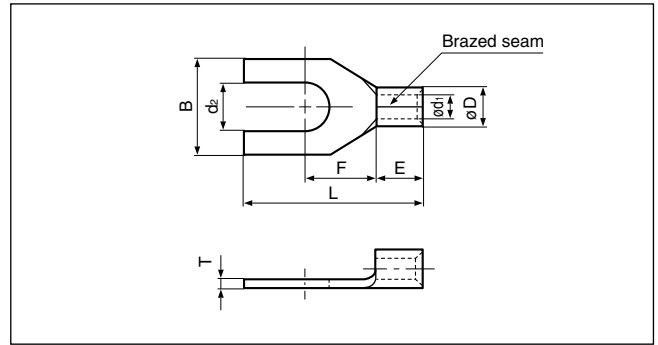
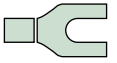
Address: A1208, Overseas Decoration Building, #122 Zhenhua RD., Futian, Shenzhen, China



Solderless terminals



**SPADE TONGUE (A type) Non-insulated**

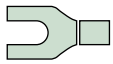


Certificate No.:

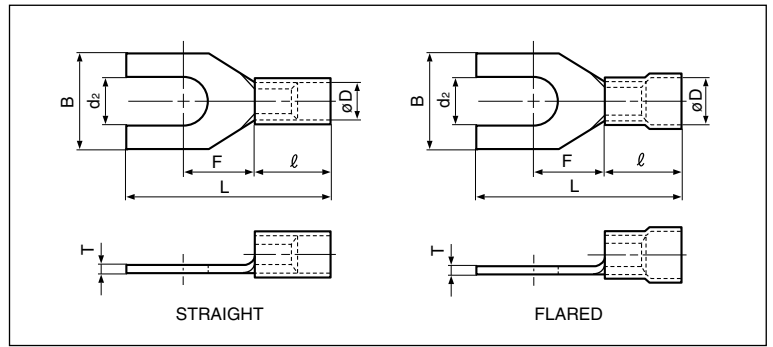
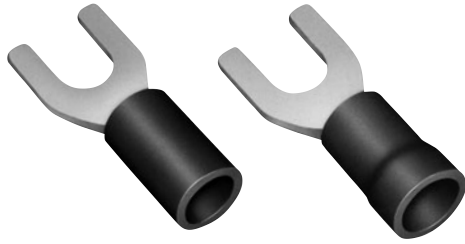
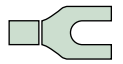
Applicable Wire AWG#(mm <sup>2</sup> )	Stud size		Part No.	Standard	Dimensions mm (in.)								Tool No.	Qty/box
	American	Metric			d <sub>2</sub>	B	L	F	E	øD	ød <sub>1</sub>	T		
26 to 22 (0.2 to 0.5)	1-2	2	<b>0.5-2A</b>		2.2 (.087)	4.6 (.181)	12.8 (.504)	4.5 (.177)	4.0 (.157)	2.0 (.079)	1.0 (.039)	0.5 (.020)	YHT-2622 YA-1 YA-2 BCT-0514	1,000
	3-4	3	<b>0.5-3A</b>		3.2 (.126)	5.0 (.197)	12.5 (.492)	6.0 (.236)						
	5-6	3.5	<b>0.5-3.7A</b>		3.7 (.146)	6.4 (.252)	15.0 (.591)	7.7 (.303)						
	8	4	<b>0.5-4A</b>		4.3 (.169)	7.0 (.276)	16.2 (.638)	6.3 (.248)						
22 to 16 (0.25 to 1.65)	1-2	2	<b>1.25-2A</b>		2.2 (.087)	4.6 (.181)	14.6 (.575)	4.3 (.169)	4.8 (.189)	3.4 (.134)	1.7 (.067)	0.8 (.031)	YHT-2210 YA-1 YA-2 YA-4 BCT-0514	1,000
	3-4	3	<b>1.25-C3A</b>		3.2 (.126)	5.6 (.221)	15.8 (.622)	6.3 (.248)						
	3-4	3	<b>1.25-B3A</b>		3.2 (.126)	5.8 (.228)	15.8 (.622)	6.3 (.248)						
	3-4	3	<b>1.25-M3A</b>		3.2 (.126)	6.35(.250)	16.0 (.630)	8.0 (.315)						
	5-6	3.5	<b>1.25-C3.5A</b>		3.7 (.146)	5.6 (.221)	15.8 (.622)	6.3 (.248)						
	5-6	3.5	<b>1.25-B3.5A</b>		3.7 (.146)	5.8 (.228)	15.8 (.622)	6.3 (.248)						
	5-6	3.5	<b>1.25-N3A</b>		3.7 (.146)	6.2 (.244)	15.8 (.622)	6.3 (.248)						
	5-6	3.5	<b>1.25-YS3A</b>		3.7 (.146)	6.4 (.252)	15.4 (.606)	6.3 (.248)						
	5-6	3.5	<b>1.25-S3A</b>		3.7 (.146)	7.2 (.283)	15.8 (.622)	6.3 (.248)						
	5-6	3.5	<b>1.25-P3A</b>		3.7 (.146)	7.5 (.295)	13.8 (.543)	5.5 (.217)						
	8	4	<b>1.25-YS4A</b>		4.3 (.169)	6.4 (.252)	15.4 (.606)	6.3 (.248)						
	8	4	<b>1.25-S4A</b>		4.3 (.169)	7.2 (.283)	15.8 (.622)	6.3 (.248)						
	8	4	<b>1.25-4A</b>		4.3 (.169)	8.5 (.335)	15.8 (.622)	7.0 (.276)						
	10	5	<b>1.25-S5A</b>		5.3 (.209)	7.2 (.283)	15.8 (.622)	6.3 (.248)						
	10	5	<b>1.25-M5A</b>		5.3 (.209)	8.5 (.335)	15.8 (.622)	7.0 (.276)						
	10	5	<b>1.25-5A</b>		5.3 (.209)	9.5 (.374)	15.8 (.622)	7.0 (.276)						
1/4	6	<b>1.25-6A</b>	6.4 (.252)	12.0 (.472)	22.0 (.866)	11.0 (.433)								
16 to 14 (1.04 to 2.63)	3-4	3	<b>2-N3A</b>		3.2 (.126)	5.9 (.232)	15.8 (.622)	6.3 (.248)	4.8 (.189)	4.1 (.161)	2.3 (.091)	0.8 (.031)	YHT-2210 YA-1 YA-2 YA-4 BCT-0514	1,000
	3-4	3	<b>2-M3A</b>		3.2 (.126)	6.0 (.236)	14.5 (.571)	5.0 (.197)						
	5-6	3.5	<b>2-C3.5A</b>		3.7 (.146)	5.6 (.220)	15.8 (.622)	6.3 (.248)						
	5-6	3.5	<b>2-YS3A</b>		3.7 (.146)	6.4 (.252)	15.4 (.606)	6.3 (.248)						
	5-6	3.5	<b>2-S3A</b>		3.7 (.146)	7.2 (.283)	16.0 (.630)	6.5 (.256)						
	5-6	3.5	<b>2-3A</b>		3.7 (.146)	8.5 (.335)	16.8 (.661)	7.3 (.287)						
	8	4	<b>2-YS4A</b>		4.3 (.169)	6.4 (.252)	15.4 (.606)	6.3 (.248)						
	8	4	<b>2-YM4A</b>		4.3 (.169)	6.8 (.268)	15.4 (.606)	6.3 (.248)						
	8	4	<b>2-S4A</b>		4.3 (.169)	7.2 (.283)	16.0 (.630)	6.5 (.256)						
	8	4	<b>2-4A</b>		4.3 (.169)	8.5 (.335)	16.8 (.661)	7.3 (.287)						
	10	5	<b>2-M5A</b>		5.3 (.209)	8.5 (.335)	16.8 (.661)	7.3 (.287)						
	10	5	<b>2-5A</b>		5.3 (.209)	9.5 (.374)	16.8 (.661)	7.3 (.287)						
	1/4	6	<b>2-6A</b>		6.4 (.252)	12.0 (.472)	22.0 (.866)	11.0 (.433)						
	12 to 10 (2.63 to 6.64)	5-6	3.5		<b>5.5-S3A</b>		3.7 (.146)	7.2 (.283)						
5-6		3.5	<b>5.5-3A</b>	3.7 (.146)	9.5 (.374)		19.5 (.768)	7.5 (.295)						
8		4	<b>5.5-S4A</b>	4.3 (.169)	8.5 (.335)		19.5 (.768)	7.5 (.295)						
8		4	<b>5.5-4A</b>	4.3 (.169)	9.5 (.374)		19.5 (.768)	7.5 (.295)						
10		5	<b>5.5-5A</b>	5.3 (.209)	9.5 (.374)		19.5 (.768)	7.5 (.295)						
1/4		6	<b>5.5-6A</b>	6.4 (.252)	13.5 (.532)		25.5(1.004)	12.2 (.480)						
5/16		8	<b>5.5-8A</b>	8.4 (.331)	13.5 (.532)		25.5(1.004)	12.2 (.480)						

Note:1) The part numbers indicated in the above table are for products with a brazed seam.  
 When ordering products with a butted seam, add the prefix "WS" to the part number (ex. 2-4A → **WS2-4A**).  
 2) Delivery lead times may vary depending on the product. Contact JST for details.

Solderless terminals



**SPADE TONGUE (A type) vinyl-insulated**

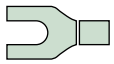


Certificate No.: E42024 LR20812

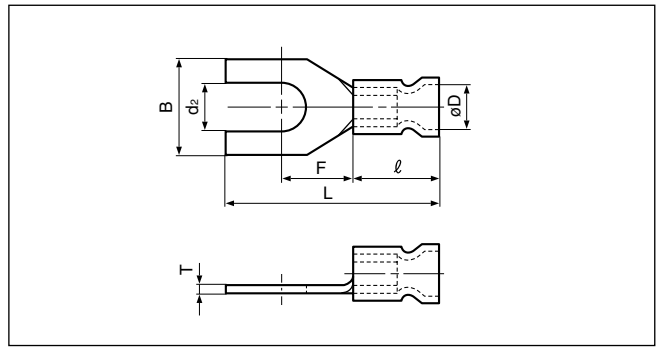
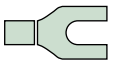
Applicable Wire AWG#(mm <sup>2</sup> )	Stud size		Part No.		Standard	Dimensions mm (in.)										Color	Tool No.	Qty/box
	American	Metric	Straight	Flared		d <sub>2</sub>	B	L	F	l	ø D		T					
26 to 22 (0.2 to 0.5)	3-4	3	V0.5-3A	FV0.5-3A		3.2 (.126)	5.0 (.197)	16.5 (.650)	6.0 (.236)	8.0 (.315)	1.9 (.075)	2.9 (.114)	0.5 (.020)	Yellow	YNT-2622 YA-1, YA-2 BCT-0514	1,000		
	5-6	3.5	V0.5-3.7A	FV0.5-3.7A		3.7 (.146)	6.4 (.252)	19.0 (.748)	7.7 (.303)									
22 to 16 (0.25 to 1.65)	1-2	2	V1.25-2A	FV1.25-2A		2.2 (.087)	4.6 (.181)	18.8 (.740)	4.3 (.169)	9.0 (.354)	3.2 (.126)	4.0 (.157)	0.8 (.031)	Red	YNT-2216 YA-1 YA-2 YA-4 BCT-0514	1,000		
	3-4	3	V1.25-B3A	FV1.25-B3A		3.2 (.126)	5.8 (.228)	20.0 (.787)	6.3 (.248)									
	5-6	3.5	V1.25-C3.5A	-		3.7 (.146)	5.6 (.220)	20.0 (.787)	6.3 (.248)									
	5-6	3.5	V1.25-N3A	FV1.25-N3A		3.7 (.146)	6.2 (.244)	20.0 (.787)	6.3 (.248)									
	5-6	3.5	V1.25-YS3A	FV1.25-YS3A		3.7 (.146)	6.4 (.252)	19.6 (.772)	6.3 (.248)									
	5-6	3.5	V1.25-S3A	FV1.25-S3A		3.7 (.146)	7.2 (.284)	20.0 (.787)	6.3 (.248)									
	5-6	3.5	V1.25-P3A	FV1.25-P3A		3.7 (.146)	7.5 (.295)	18.0 (.709)	5.5 (.217)									
	8	4	V1.25-YS4A	FV1.25-YS4A		4.3 (.169)	6.4 (.252)	19.6 (.772)	6.3 (.248)									
	8	4	V1.25-S4A	FV1.25-S4A		4.3 (.169)	7.2 (.284)	20.0 (.787)	6.3 (.248)									
	8	4	V1.25-4A	FV1.25-4A		4.3 (.169)	8.5 (.335)	20.0 (.787)	7.0 (.276)									
	10	5	V1.25-S5A	FV1.25-S5A		5.3 (.209)	7.2 (.284)	20.0 (.787)	6.3 (.248)									
	10	5	V1.25-M5A	FV1.25-M5A		5.3 (.209)	8.5 (.335)	20.0 (.787)	7.0 (.276)									
10	5	V1.25-5A	FV1.25-5A	5.3 (.209)	9.5 (.374)	20.0 (.787)	7.0 (.276)											
1/4	6	V1.25-6A	FV1.25-6A	6.4 (.252)	12.0 (.472)	26.2(1.032)	11.0 (.433)											
16 to 14 (1.04 to 2.63)	3-4	3	V2-N3A	FV2-N3A		3.2 (.126)	5.9 (.232)	20.0 (.787)	6.3 (.248)	9.0 (.354)	3.9 (.154)	4.5 (.177)	0.8 (.031)	Blue	YNT-1614 YA-1 YA-2 YA-4 BCT-0514	1,000		
	3-4	3	V2-M3A	FV2-M3A		3.2 (.126)	6.0 (.236)	18.7 (.736)	5.0 (.197)									
	5-6	3.5	V2-YS3A	FV2-YS3A		3.7 (.146)	6.4 (.252)	19.6 (.772)	6.3 (.248)									
	5-6	3.5	V2-S3A	FV2-S3A		3.7 (.146)	7.2 (.284)	20.2 (.795)	6.5 (.256)									
	5-6	3.5	V2-3A	FV2-3A		3.7 (.146)	8.5 (.335)	21.0 (.827)	7.3 (.287)									
	8	4	V2-YS4A	FV2-YS4A		4.3 (.169)	6.4 (.252)	19.6 (.772)	6.3 (.248)									
	8	4	V2-YM4A	FV2-YM4A		4.3 (.169)	6.8 (.268)	19.6 (.772)	6.3 (.248)									
	8	4	V2-S4A	FV2-S4A		4.3 (.169)	7.2 (.284)	20.2 (.795)	6.5 (.256)									
	8	4	V2-4A	FV2-4A		4.3 (.169)	8.5 (.335)	21.0 (.827)	7.3 (.287)									
	10	5	V2-M5A	FV2-M5A		5.3 (.209)	8.5 (.335)	21.0 (.827)	7.3 (.287)									
	10	5	V2-5A	FV2-5A		5.3 (.209)	9.5 (.374)	21.0 (.827)	7.3 (.287)									
	1/4	6	V2-6A	FV2-6A		6.4 (.252)	12.0 (.472)	26.2(1.032)	11.0 (.433)									
12 to 10 (2.63 to 6.64)	5-6	3.5	V5.5-S3A	FV5.5-S3A		3.7 (.146)	7.2 (.283)	26.2(1.032)	7.5 (.295)	13.5 (.531)	5.4 (.213)	6.8 (.268)	1.0 (.039)	Yellow	YNT-1210S YA-4 BCT-0514	500		
	5-6	3.5	V5.5-3A	FV5.5-3A		3.7 (.146)	9.5 (.374)	26.2(1.032)	7.5 (.295)									
	8	4	V5.5-S4A	FV5.5-S4A		4.3 (.169)	8.5 (.335)	26.2(1.032)	7.5 (.295)									
	8	4	V5.5-4A	FV5.5-4A		4.3 (.169)	9.5 (.374)	26.2(1.032)	7.5 (.295)									
	10	5	V5.5-5A	FV5.5-5A		5.3 (.209)	9.5 (.374)	26.2(1.032)	7.5 (.295)									
	1/4	6	V5.5-6A	FV5.5-6A		6.4 (.252)	13.5 (.532)	32.2(1.268)	12.2 (.480)									
	5/16	8	V5.5-8A	FV5.5-8A		8.4 (.331)	13.5 (.532)	32.2(1.268)	12.2 (.480)									

- Note:1) \*The crimping will be more secure if the total cross-sectional area of the wire is at least 0.5 mm<sup>2</sup>.  
 Examples: If the cross-sectional area of the wire is 0.3mm<sup>2</sup>, fold the wire in two when crimping the terminal.  
 If the cross-sectional area of the wire is 0.5mm<sup>2</sup>, crimp the terminal onto the wire as it is.
- The part numbers indicated in the above table are for products with a brazed seam.  
 When ordering products with a butted seam, add the prefix "WS" to the part number (ex. V2-4A → **VWS2-4A**).
  - To order products with nylon insulation, change the "V" in the part number prefix to "N" (ex. V2-4A → **N2-4A**).  
 Because nylon absorbs moisture, care must be taken concerning storage.
  - Delivery lead times may vary depending on the product. Contact JST for details.

Solderless terminals



**SPADE TONGUE (A type)** Vinyl-insulated (funnel-entry)

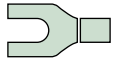


Certificate No.: E42024 LR20812

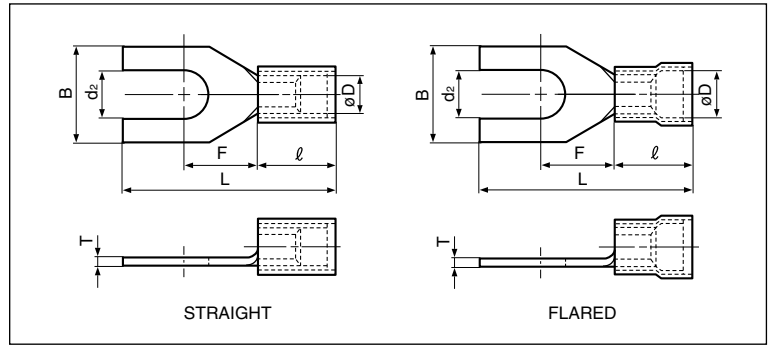
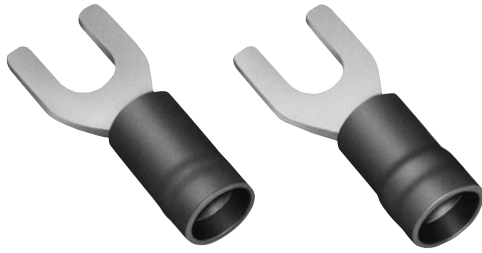
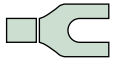
Applicable Wire AWG#(mm <sup>2</sup> )	Stud size		Part No.	Standard	Dimensions mm (in.)							Color	Tool No.	Qty/box
	American	Metric			d <sub>2</sub>	B	L	F	l	øD	T			
22 to 16 *(0.25 to 1.65)	3-4	3	FVX1.25-B3A		3.2 (.126)	5.8 (.228)	21.8 (.858)	6.3 (.248)	10.8 (.425)	4.0 (.157)	0.8 (.031)	Red	YNT-2216 YA-1 YA-2 YA-4 BCT-0514	1,000
	5-6	3.5	FVX1.25-N3A		3.7 (.146)	6.2 (.244)	21.8 (.858)	6.3 (.248)						
	5-6	3.5	FVX1.25-YS3A		3.7 (.146)	6.4 (.252)	21.4 (.843)	6.3 (.248)						
	5-6	3.5	FVX1.25-S3A		3.7 (.146)	7.2 (.284)	21.8 (.858)	6.3 (.248)						
	5-6	3.5	FVX1.25-P3A		3.7 (.146)	7.5 (.295)	21.8 (.858)	5.5 (.217)						
	8	4	FVX1.25-YS4A		4.3 (.169)	6.4 (.252)	21.4 (.843)	6.3 (.248)						
	8	4	FVX1.25-S4A		4.3 (.169)	7.2 (.284)	21.8 (.858)	6.3 (.248)						
	8	4	FVX1.25-4A		4.3 (.169)	8.5 (.335)	21.8 (.858)	7.0 (.276)						
	10	5	FVX1.25-S5A		5.3 (.209)	7.2 (.284)	21.8 (.858)	6.3 (.248)						
	10	5	FVX1.25-M5A		5.3 (.209)	8.5 (.335)	21.8 (.858)	7.0 (.276)						
	10	5	FVX1.25-5A		5.3 (.209)	9.5 (.374)	21.8 (.858)	7.0 (.276)						
1/4	6	FVX1.25-6A	6.4 (.252)	12.0 (.472)	28.0(1.102)	11.0 (.433)								
16 to 14 (1.04 to 2.63)	3-4	3	FVX2-N3A		3.2 (.126)	5.9 (.232)	21.8 (.858)	6.3 (.248)	10.8 (.425)	4.6 (.181)	0.8 (.031)	Blue	BCT-0514 YNT-1614 YA-1 YA-2 YA-4 BCT-0514	1,000
	3-4	3	FVX2-M3A		3.2 (.126)	6.0 (.236)	20.5 (.807)	5.0 (.197)						
	5-6	3.5	FVX2-YS3A		3.7 (.146)	6.4 (.252)	21.4 (.843)	6.3 (.248)						
	5-6	3.5	FVX2-S3A		3.7 (.146)	7.2 (.284)	23.0 (.906)	6.5 (.256)						
	5-6	3.5	FVX2-3A		3.7 (.146)	8.5 (.335)	22.8 (.898)	7.3 (.287)						
	8	4	FVX2-YS4A		4.3 (.169)	6.4 (.252)	21.4 (.843)	6.3 (.248)						
	8	4	FVX2-YM4A		4.3 (.169)	6.8 (.268)	21.4 (.843)	6.3 (.248)						
	8	4	FVX2-S4A		4.3 (.169)	7.2 (.284)	23.0 (.906)	6.5 (.256)						
	8	4	FVX2-4A		4.3 (.169)	8.5 (.335)	22.8 (.898)	7.3 (.287)						
	10	5	FVX2-M5A		5.3 (.209)	8.5 (.335)	22.8 (.898)	7.3 (.287)						
	10	5	FVX2-5A		5.3 (.209)	9.5 (.374)	22.8 (.898)	7.3 (.287)						
1/4	6	FVX2-6A	6.4 (.252)	12.0 (.472)	28.0(1.102)	11.0 (.433)								
12 to 10 (2.63 to 6.64)	5-6	3.5	FVX5.5-S3A		3.7 (.146)	7.2 (.284)	26.7(1.051)	7.5 (.295)	14.0 (.551)	6.8 (.268)	1.0 (.039)	Yellow	YNT-1210S YA-4 BCT-0514	500
	5-6	3.5	FVX5.5-3A		3.7 (.146)	9.5 (.374)	26.7(1.051)	7.5 (.295)						
	8	4	FVX5.5-S4A		4.3 (.169)	8.5 (.335)	26.7(1.051)	7.5 (.295)						
	8	4	FVX5.5-4A		4.3 (.169)	9.5 (.374)	26.7(1.051)	7.5 (.295)						
	10	5	FVX5.5-5A		5.3 (.209)	9.5 (.374)	26.7(1.051)	7.5 (.295)						
	1/4	6	FVX5.5-6A		6.4 (.252)	13.5 (.532)	32.7(1.287)	12.2 (.480)						
	5/16	8	FVX5.5-8A		8.4 (.331)	13.5 (.532)	32.7(1.287)	12.2 (.480)						

Note: 1) The part numbers indicated in the above table are for products with a brazed seam.  
 When ordering products with a butted seam, add the prefix "WS" to the part number (ex. FVX2-4A → FVXWS2-4A).  
 2) \*The crimping will be more secure if the total cross-sectional area of the wire is at least 0.5 mm<sup>2</sup>.  
 Examples: If the cross-sectional area of the wire is 0.3mm<sup>2</sup>, fold the wire in two when crimping the terminal.  
 If the cross-sectional area of the wire is 0.5mm<sup>2</sup>, crimp the terminal onto the wire as it is.  
 3) Delivery lead times may vary depending on the product. Contact JST for details.

Solderless terminals



**SPADE TONGUE (A type)** vinyl-insulated with copper sleeve



Certificate No.: E42024 LR20812

Applicable Wire AWG#(mm <sup>2</sup> )	Stud size		Part No.		Standard	Dimensions mm (in.)							Color	Tool No.	Qty/box	
	American	Metric	Straight	Flared		d <sub>2</sub>	B	L	F	l	ø D					T
											Str.	Flid.				
26 to 22 (0.2 to 0.5)	3-4	3	VD0.5-3A	-		3.2 (.126)	5.0 (.197)	16.5 (.650)	6.0 (.236)	8.0 (.315)	2.2 (.087)	2.5 (.098)	0.5 (.020)	Yellow	YNT-2622 YA-1, YA-2 BCT-0514	1,000
	5-6	3.5	VD0.5-3.7A	-		3.7 (.146)	6.4 (.252)	19.0 (.748)	7.7 (.303)	8.3 (.327)						
	3-4	3	-	FVD0.5-3A		3.2 (.126)	5.0 (.197)	16.8 (.661)	6.0 (.236)	8.3 (.327)						
	5-6	3.5	-	FVD0.5-3.7A		3.7 (.146)	6.4 (.252)	19.3 (.760)	7.7 (.303)	8.3 (.327)						
22 to 16 (0.25 to 1.65)	1-2	2	VD1.25-2A	FVD1.25-2A		2.2 (.087)	4.6 (.181)	19.4 (.764)	4.3 (.169)	9.6 (.378)	3.5 (.138)	4.0 (.157)	0.8 (.031)	Red	YNT-2216 YA-1 YA-2 YA-4 BCT-0514	1,000
	3-4	3	VD1.25-B3A	FVD1.25-B3A		3.2 (.126)	5.8 (.228)	20.6 (.811)	6.3 (.248)							
	5-6	3.5	VD1.25-N3A	FVD1.25-N3A		3.7 (.146)	6.2 (.244)	20.6 (.811)	6.3 (.248)							
	5-6	3.5	VD1.25-YS3A	FVD1.25-YS3A		3.7 (.146)	6.4 (.252)	20.2 (.795)	6.3 (.248)							
	5-6	3.5	VD1.25-S3A	FVD1.25-S3A		3.7 (.146)	7.2 (.284)	20.6 (.811)	6.3 (.248)							
	5-6	3.5	VD1.25-P3A	FVD1.25-P3A		3.7 (.146)	7.5 (.295)	18.6 (.732)	5.5 (.217)							
	8	4	VD1.25-YS4A	FVD1.25-YS4A		4.3 (.169)	6.4 (.252)	20.2 (.795)	6.3 (.248)							
	8	4	VD1.25-S4A	FVD1.25-S4A		4.3 (.169)	7.2 (.284)	20.6 (.811)	6.3 (.248)							
	8	4	VD1.25-4A	FVD1.25-4A		4.3 (.169)	8.5 (.335)	20.6 (.811)	7.0 (.276)							
	10	5	VD1.25-S5A	FVD1.25-S5A		5.3 (.209)	7.2 (.284)	20.6 (.811)	6.3 (.248)							
	10	5	VD1.25-M5A	FVD1.25-M5A		5.3 (.209)	8.5 (.335)	20.6 (.811)	7.0 (.276)							
	10	5	VD1.25-5A	FVD1.25-5A		5.3 (.209)	9.5 (.374)	20.6 (.811)	7.0 (.276)							
1/4	6	VD1.25-6A	FVD1.25-6A	6.4 (.252)	12.0 (.472)	26.8 (1.055)	11.0 (.433)									
16 to 14 (1.04 to 2.63)	3-4	3	VD2-N3A	FVD2-N3A		3.2 (.126)	5.9 (.232)	20.6 (.811)	6.3 (.248)	9.6 (.378)	4.1 (.161)	4.7 (.185)	0.8 (.031)	Blue	YNT-1614 YA-1 YA-2 YA-4 BCT-0514	1,000
	3-4	3	VD2-M3A	FVD2-M3A		3.2 (.126)	6.0 (.236)	19.3 (.760)	5.0 (.197)							
	5-6	3.5	VD2-YS3A	FVD2-YS3A		3.7 (.146)	6.4 (.252)	20.2 (.795)	6.3 (.248)							
	5-6	3.5	VD2-S3A	FVD2-S3A		3.7 (.146)	7.2 (.284)	20.8 (.819)	6.5 (.256)							
	5-6	3.5	VD2-3A	FVD2-3A		3.7 (.146)	8.5 (.335)	21.6 (.850)	7.3 (.287)							
	8	4	VD2-YS4A	FVD2-YS4A		4.3 (.169)	6.4 (.252)	20.2 (.795)	6.3 (.248)							
	8	4	VD2-YM4A	FVD2-YM4A		4.3 (.169)	6.8 (.268)	20.2 (.795)	6.3 (.248)							
	8	4	VD2-S4A	FVD2-S4A		4.3 (.169)	7.2 (.284)	20.8 (.819)	6.5 (.256)							
	8	4	VD2-4A	FVD2-4A		4.3 (.169)	8.5 (.335)	21.6 (.850)	7.3 (.287)							
	10	5	VD2-M5A	FVD2-M5A		5.3 (.209)	8.5 (.335)	21.6 (.850)	7.3 (.287)							
	10	5	VD2-5A	FVD2-5A		5.3 (.209)	9.5 (.374)	21.6 (.850)	7.3 (.287)							
	1/4	6	VD2-6A	FVD2-6A		6.4 (.252)	12.0 (.472)	26.8 (1.055)	11.0 (.433)							
12 to 10 (2.63 to 6.64)	5-6	3.5	VD5.5-S3A	FVD5.5-S3A		3.7 (.146)	7.2 (.283)	26.7 (1.051)	7.5 (.295)	14.0 (.551)	5.7 (.224)	6.5 (.256)	1.0 (.039)	Yellow	YNT-1210S YA-4 BCT-0514	500
	5-6	3.5	VD5.5-3A	FVD5.5-3A		3.7 (.146)	9.5 (.374)	26.7 (1.051)	7.5 (.295)							
	8	4	VD5.5-S4A	FVD5.5-S4A		4.3 (.169)	8.5 (.335)	26.7 (1.051)	7.5 (.295)							
	8	4	VD5.5-4A	FVD5.5-4A		4.3 (.169)	9.5 (.374)	26.7 (1.051)	7.5 (.295)							
	10	5	VD5.5-5A	FVD5.5-5A		5.3 (.209)	9.5 (.374)	26.7 (1.051)	7.5 (.295)							
	1/4	6	VD5.5-6A	FVD5.5-6A		6.4 (.252)	13.5 (.532)	32.7 (1.287)	12.2 (.480)							
	5/16	8	VD5.5-8A	FVD5.5-8A		8.4 (.331)	13.5 (.532)	32.7 (1.287)	12.2 (.480)							

- Note: 1) The part numbers indicated in the above table are for products with a brazed seam.  
 When ordering products with a butted seam, add the prefix "WS" to the part number (ex. VD2-4A → **VDWS2-4A**).  
 2) To order products with nylon insulation, change the "V" in the part number prefix to "N" (ex. VD2-4A → **ND2-4A**).  
 Because nylon absorbs moisture, care must be taken concerning storage.  
 3) Delivery lead times may vary depending on the product. Contact JST for details.