



Chipsmall Limited consists of a professional team with an average of over 10 year of expertise in the distribution of electronic components. Based in Hongkong, we have already established firm and mutual-benefit business relationships with customers from,Europe,America and south Asia,supplying obsolete and hard-to-find components to meet their specific needs.

With the principle of “Quality Parts,Customers Priority,Honest Operation,and Considerate Service”,our business mainly focus on the distribution of electronic components. Line cards we deal with include Microchip,ALPS,ROHM,Xilinx,Pulse,ON,Everlight and Freescale. Main products comprise IC,Modules,Potentiometer,IC Socket,Relay,Connector.Our parts cover such applications as commercial,industrial, and automotives areas.

We are looking forward to setting up business relationship with you and hope to provide you with the best service and solution. Let us make a better world for our industry!



## Contact us

Tel: +86-755-8981 8866 Fax: +86-755-8427 6832

Email & Skype: info@chipsmall.com Web: www.chipsmall.com

Address: A1208, Overseas Decoration Building, #122 Zhenhua RD., Futian, Shenzhen, China



## SPECIFICATION

Part No.	: <b>FW.24.SMA.M</b>
Description	: Meteor 2.4GHz Flexible Whip Monopole Antenna
Features	: External 2.4GHz Monopole Antenna Rugged Design for Outdoor Use Over 70% Efficiency* Over 4dBi Peak Gain* Robust Inner Steel Core Antenna height 316mm SMA(M) Straight Connector IP67 dust and water-resistant *Tested on 30*30cm Ground Plane RoHS Compliant ✓



## 1. Introduction

The FW.24 is a flexible 2.4GHz whip antenna with a SMA(M) connector for outdoor use. It features excellent efficiency (>75%) and high peak gain (>4 dBi) between 2400-2500MHz on a 30\*30cm ground plane.

The antenna was specifically developed for applications such as weather monitoring systems, motion/vibration sensors, pollution monitoring, and border guard monitoring systems.

The FW.24 works in the 2.4 GHz Wi-Fi/Bluetooth/ISM band with high efficiency, meaning that it allows your radio to consume less power than with a lower efficiency antenna when transferring data. The antenna performs at its best while attached to a ground plane with dimensions of at least 30\*30cm.

The whip is made of a flexible inner steel core covered by PE so it is extremely resistant to abrasion and maintains its original shape and RF performance. This rugged design and IP67 rating has been tested by customers to withstand environmental stress and moderate physical shock in the field.

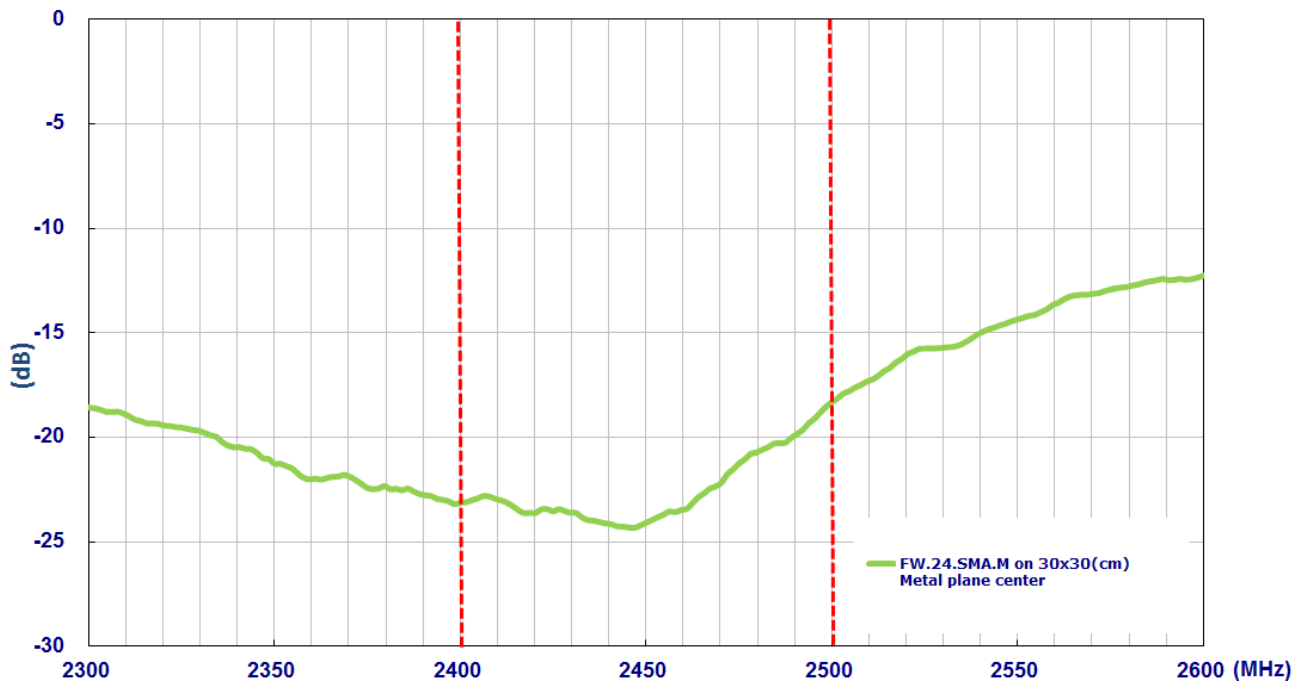
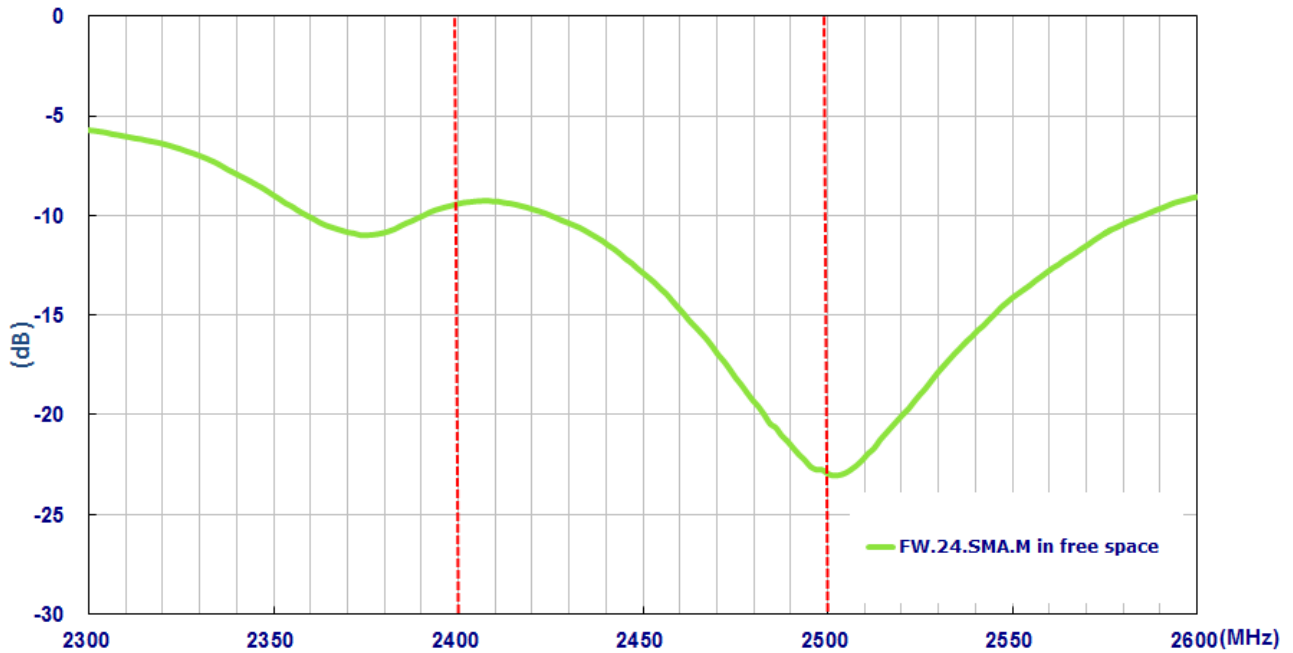
The FW.24.SMA.M 2.4GHz antenna provides a simple solution to any outdoor devices where the FW.24 antenna's rugged design and high efficiency can provide the best value to the application.

## 2. Specification

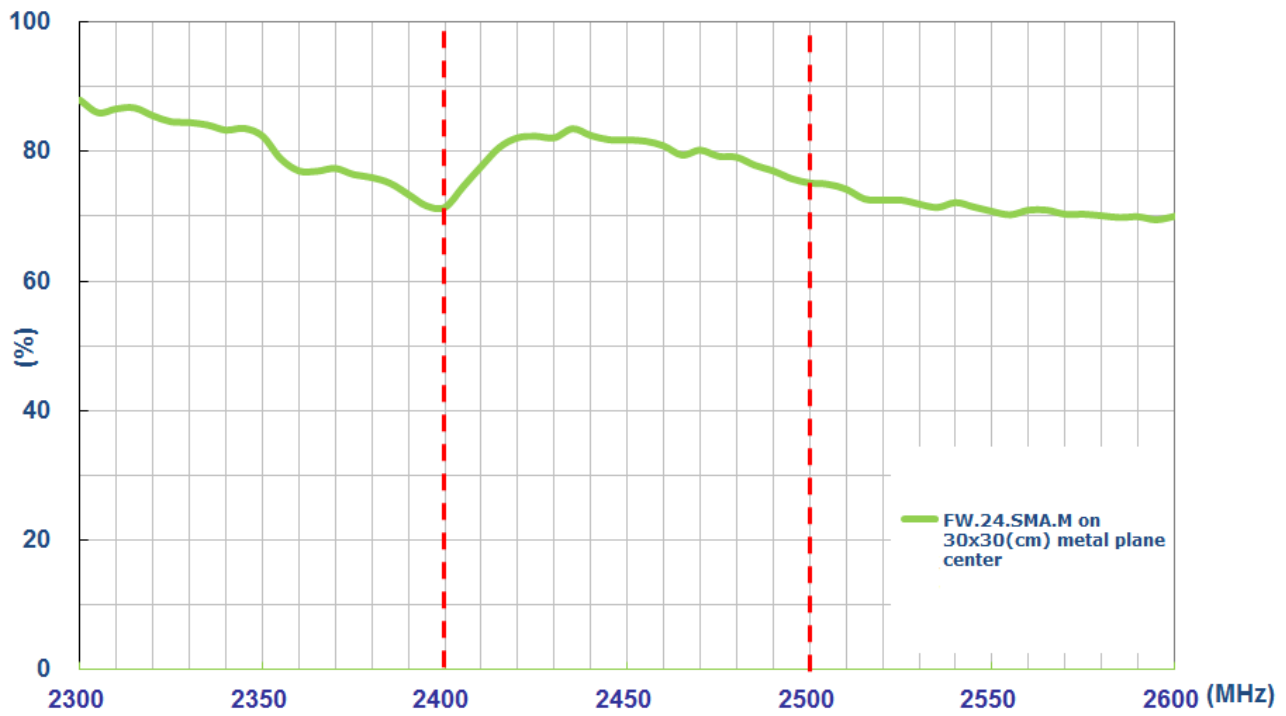
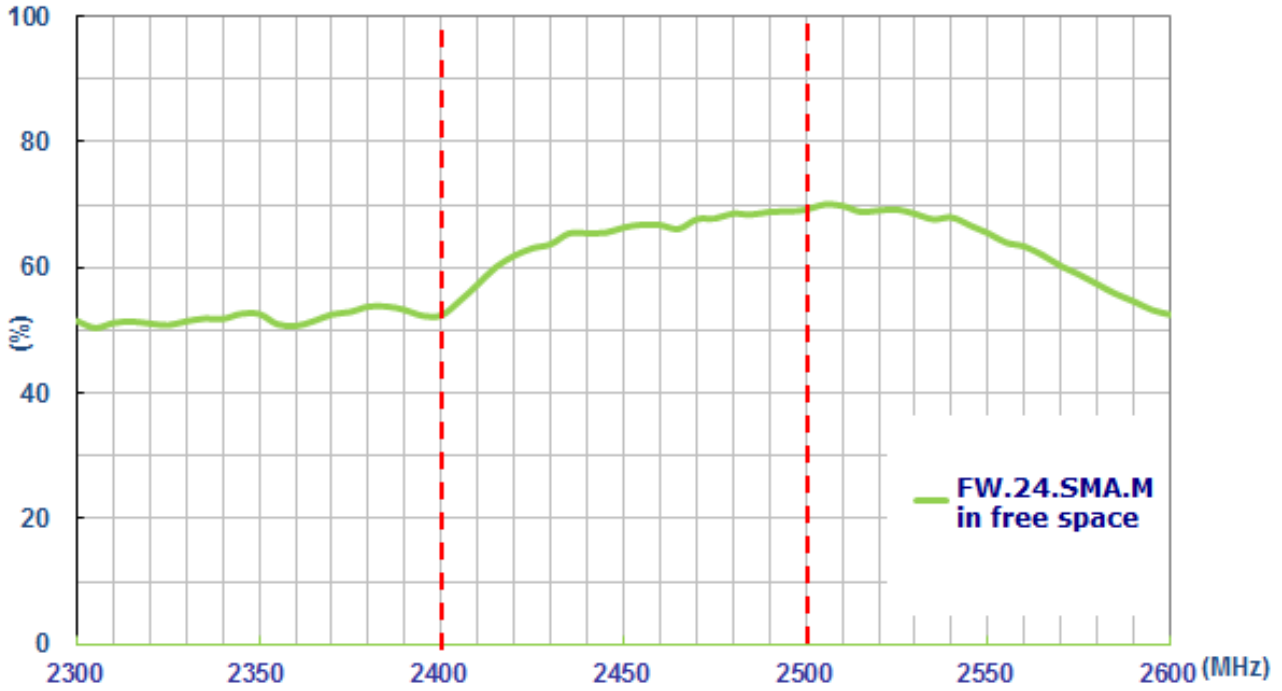
2.4GHz Wi-Fi	
Frequency	2400~2500MHz
	In free space      On 30*30cm ground
Efficiency	64.5%      79.3%
Peak Gain	4.26dBi      4.48dBi
Return loss	< -6dB      < -10dB
VSWR	≤ 3:1      ≤ 2:1
Impedance	50Ω
Polarization	Linear
Radiation Pattern	Omnidirectional
Input Power	2W
MECHANICAL	
Height	307 ± 6mm
Base Diameter	16 ± 0.8mm
Whip Diameter	6.2 ± 0.8mm
Casing	ABS
Connector	SMA Male Straight
Weight	46.6g
Dust and Water Resistance	IP67
ENVIRONMENTAL	
Temperature Range	-40°C to 85°C
Humidity	Non-condensing 65°C 95% RH

### 3. Antenna Characteristics

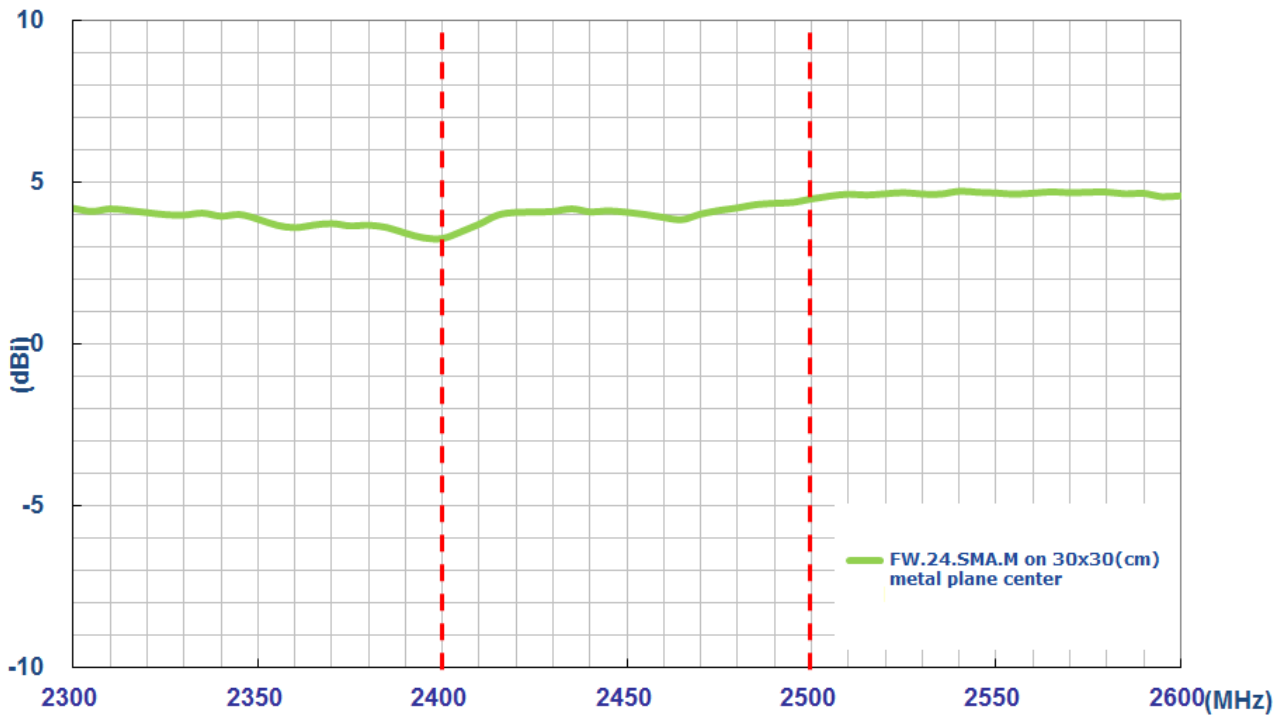
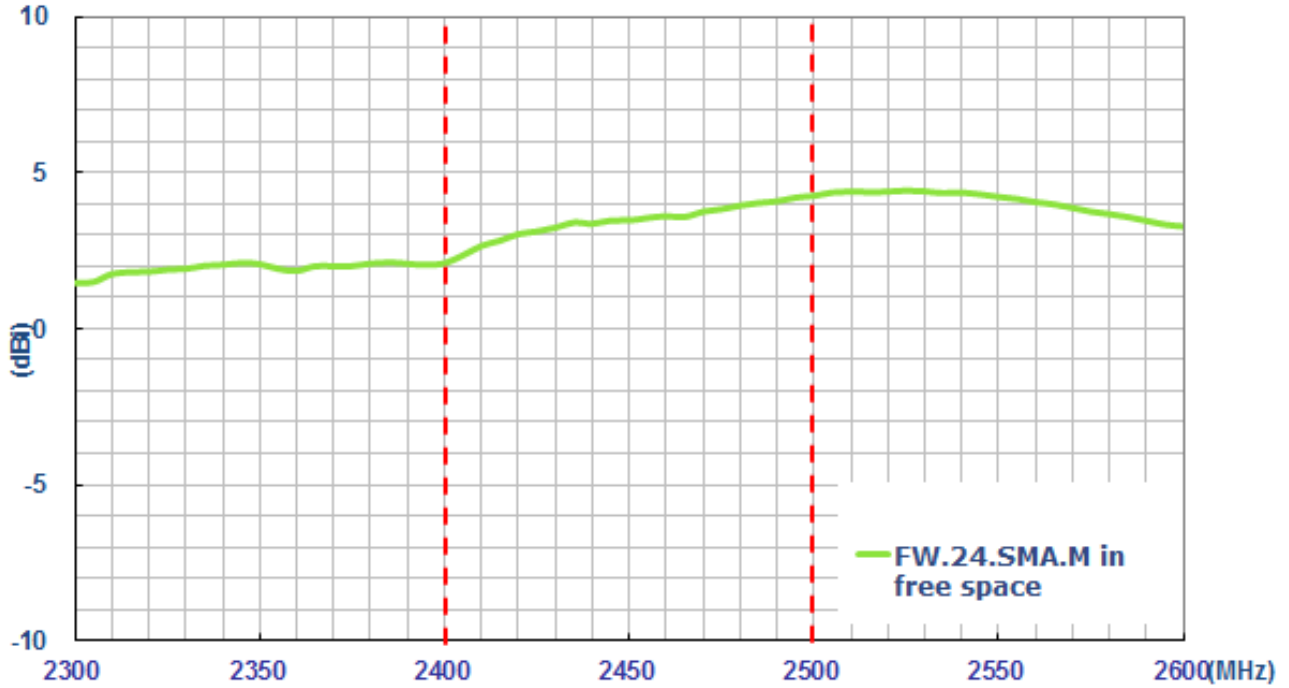
#### 3.1. Return Loss



### 3.2. Antenna Efficiency

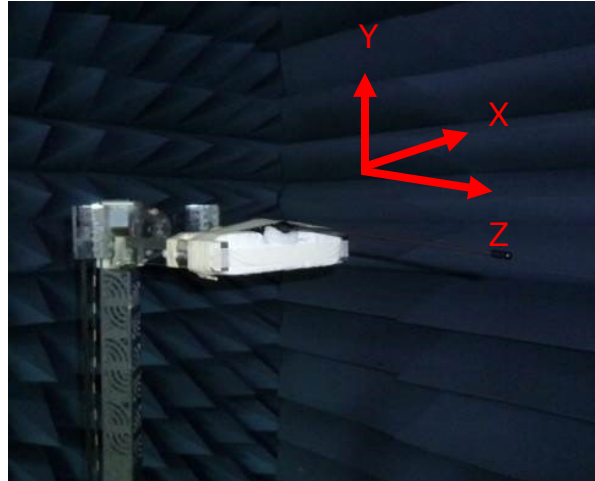


### 3.3. Peak Gain

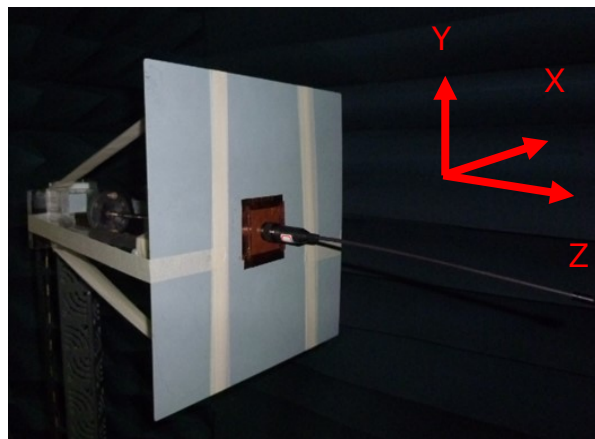


## 4. Antenna Radiation Pattern

### 4.1. Antenna Setup



Free Space



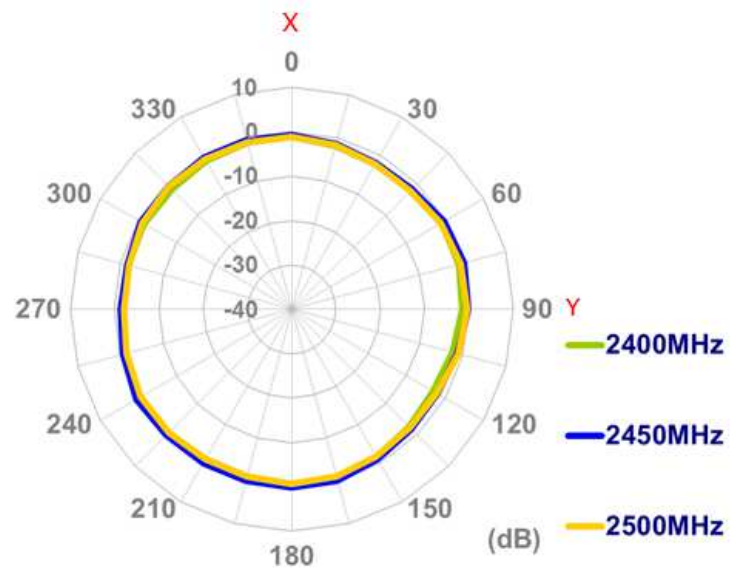
On 30\*30cm ground plane



## 4.2. 2D Radiation Pattern

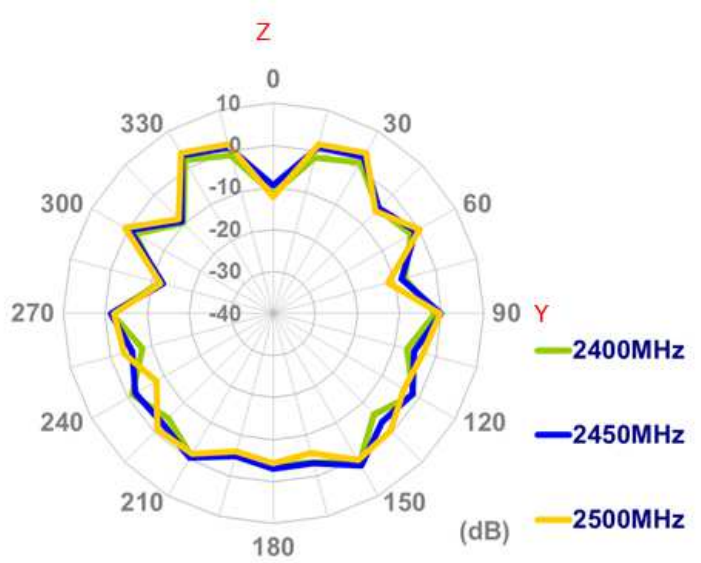
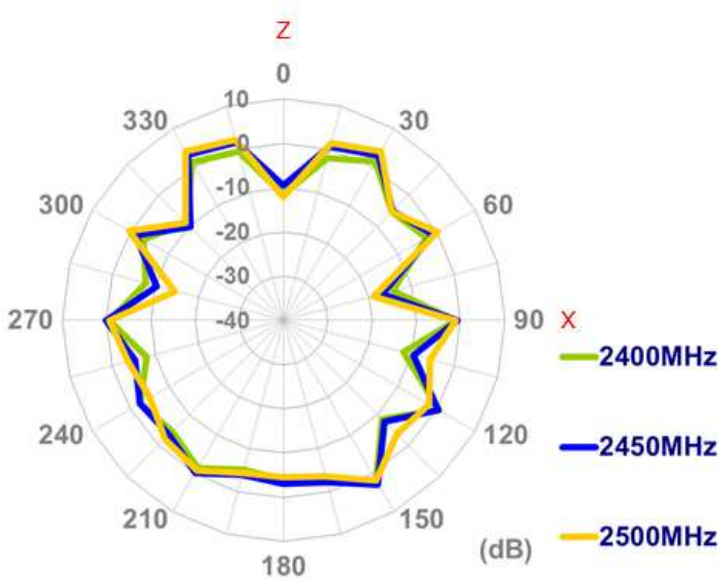
### In Free Space

XY Plane



XZ Plane

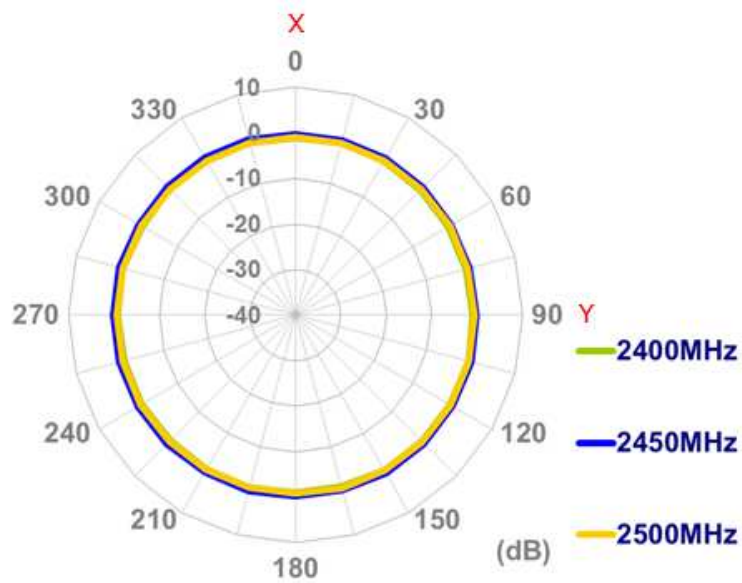
YZ Plane



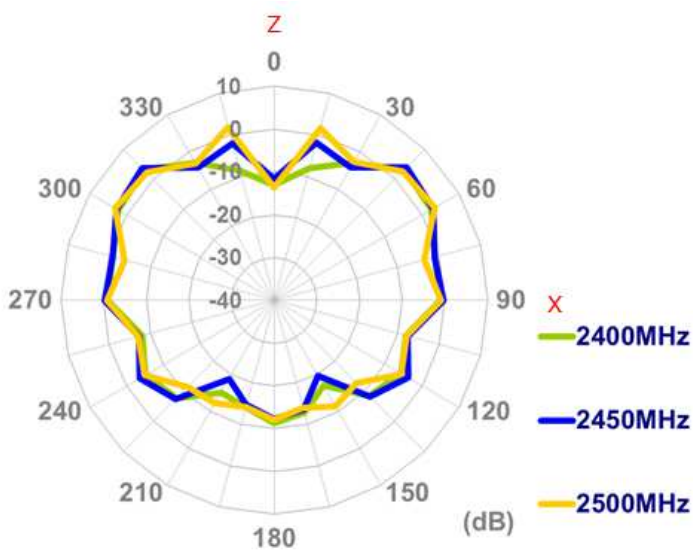


### On 30\*30cm Ground Plane

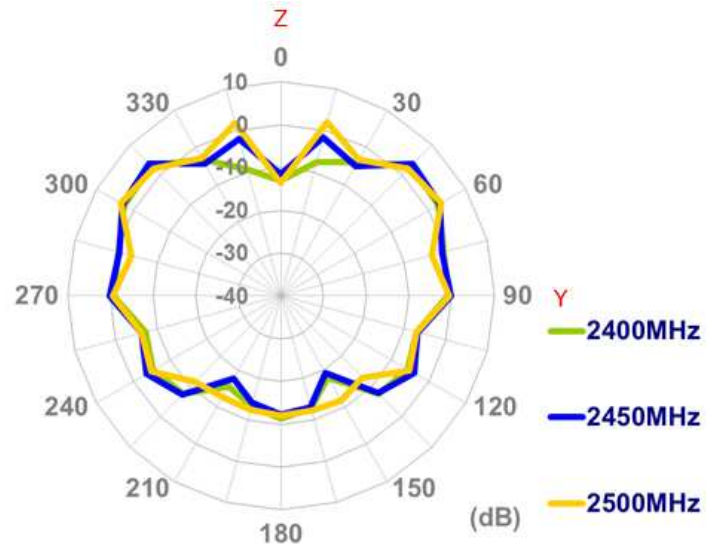
XY Plane



XZ Plane

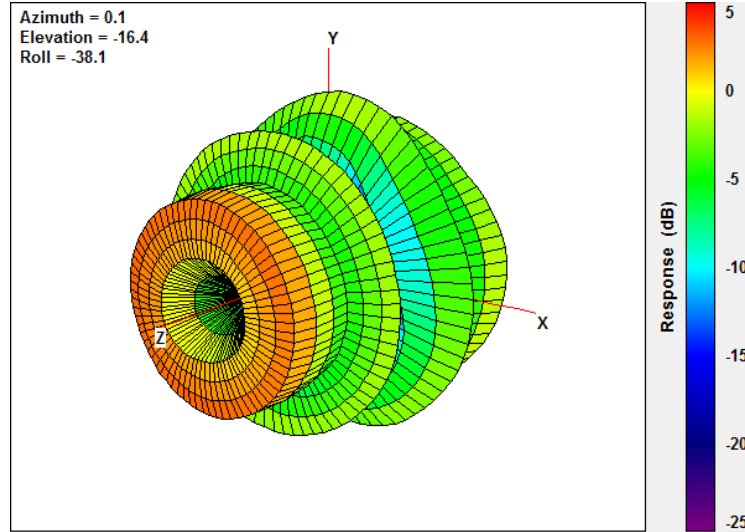


YZ Plane



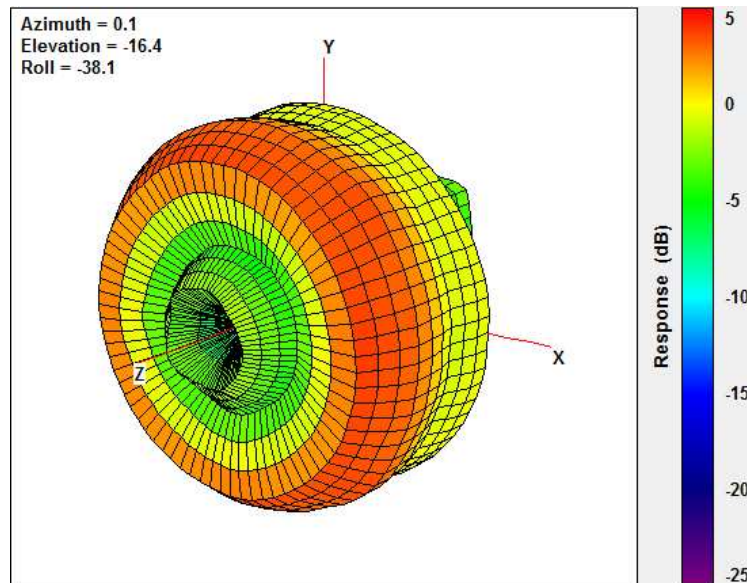
### 4.3. 3D Radiation Pattern

In free space



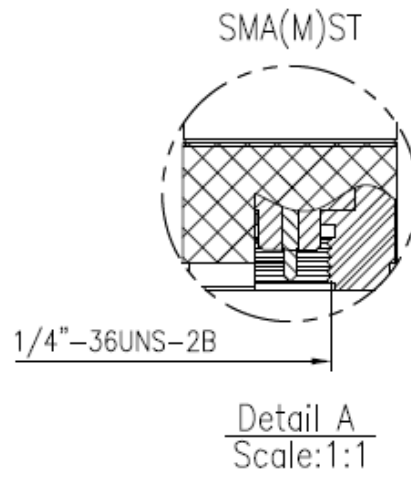
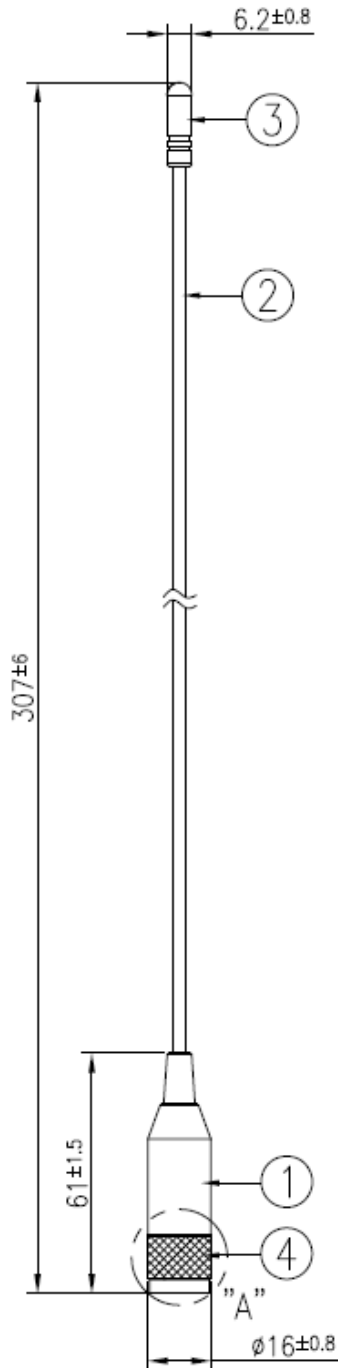
@2450MHz

On 30\*30cm Ground Plane



@2450MHz

## 5. Antenna Drawing (Unit: mm)



	Name	P/N	Material	Finish	QTY
1	Housing	000116J060000A	ABS	Black	1
2	Flexible Whip	001116J000000A	Steel+PE Jacket	Black	1
3	Cap	000716J000000A	POM	Black	1
4	SMA(M)ST	210216J000002A	Brass	Black	1



Taoglas makes no warranties based on the accuracy or completeness of the contents of this document and reserves the right to make changes to specifications and product descriptions at any time. Taoglas reserves all rights to this document and the information contained herein.

Reproduction, use or disclosure to third parties without express permission is strictly prohibited.

Copyright © Taoglas