



Chipsmall Limited consists of a professional team with an average of over 10 year of expertise in the distribution of electronic components. Based in Hongkong, we have already established firm and mutual-benefit business relationships with customers from,Europe,America and south Asia,supplying obsolete and hard-to-find components to meet their specific needs.

With the principle of “Quality Parts,Customers Priority,Honest Operation,and Considerate Service”,our business mainly focus on the distribution of electronic components. Line cards we deal with include Microchip,ALPS,ROHM,Xilinx,Pulse,ON,Everlight and Freescale. Main products comprise IC,Modules,Potentiometer,IC Socket,Relay,Connector.Our parts cover such applications as commercial,industrial, and automotives areas.

We are looking forward to setting up business relationship with you and hope to provide you with the best service and solution. Let us make a better world for our industry!



Contact us

Tel: +86-755-8981 8866 Fax: +86-755-8427 6832

Email & Skype: info@chipsmall.com Web: www.chipsmall.com

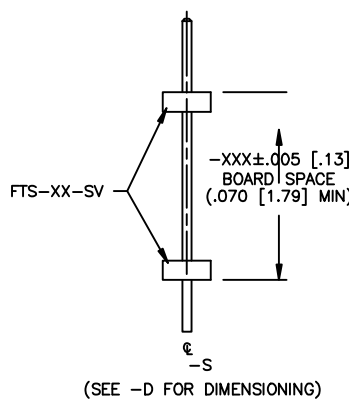
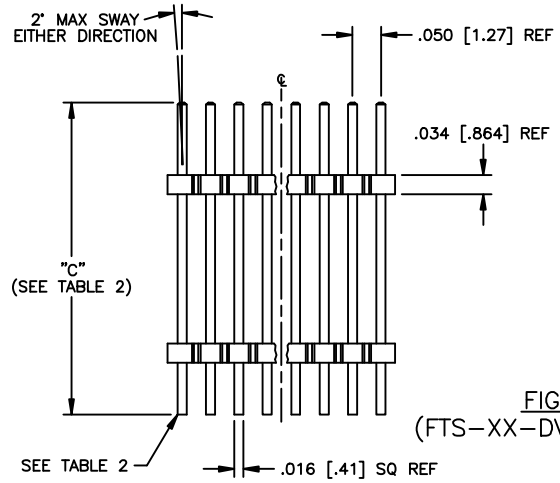
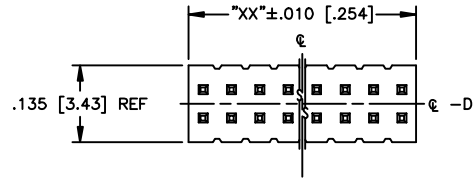
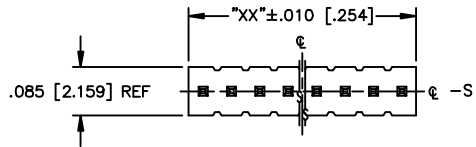
Address: A1208, Overseas Decoration Building, #122 Zhenhua RD., Futian, Shenzhen, China



DO NOT SCALE FROM THIS PRINT

TAIL STYLE	"A"	"B" MAX
-01	.045 [1.14]	.755 [19.18]
-02	.075 [1.91]	.725 [18.42]
-04	.090 [2.29]	.710 [18.03]

TERMINAL	"C"	ROW OPTION
T-1S15-10-XX	.401 [10.19] - .750 [19.05]	D
T-1S15-03-XX	.401 [10.19] - .750 [19.05]	S
T-1S15-04-XX	.170 [4.32] - .400 [10.16]	D,S
T-1S15-05-XX	.751 [19.08] - .800 [20.32]	D,S



(SEE -D FOR DIMENSIONING)

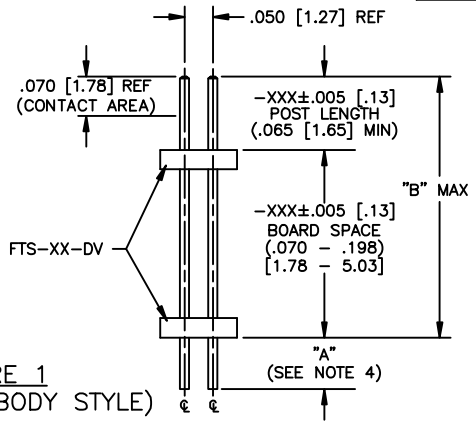


FIGURE 1 (FTS-XX-DV BODY STYLE)

BOARD STYLE	BODY STYLE	FIG.
.070 - .198	FTS-XX-DV	1
.199 - .690	FTSH-XX-D	2 (SEE SHEET 2)

* THIS TABLE APPLIES TO DOUBLE ROW ASSEMBLIES ONLY. ALL SINGLE ROW ASSEMBLIES USE FTS-XX-SV

FW-XX-XX-XX-X-XXX-XXX-XX

POSITION SPEC
No OF POS PER ROW
-02 THRU -50
"XX" = No OF POS x .050 [1.27]
TERMINAL

TAIL STYLE
SEE TABLE 1
(SEE TABLE 2 FOR TERMINAL PIN)

PLATING
-L: LIGHT SELECTIVE (USE T-1S15-XX-L)
-F: FLASH GOLD (USE T-1S15-XX-F)
-G: GOLD (OVER ENTIRE PIN) (USE T-1S15-XX-G)
-H: HEAVY GOLD (USE T-1S15-XX-H)
-LM: LIGHT SELECTIVE GOLD, MATTE TIN TAIL (USE T-1S15-XX-L)
-FM: FLASH SELECTIVE GOLD, MATTE TIN TAIL (USE T-1S15-XX-F)

OPTION
-ES: END SHROUDS (SEE FIG. 4, SHT 2) (9 POS PER ROW MIN) (MAX POST: .075 [1.91]) (SEE NOTE 6)
-EP: GUIDE POST (FIG. 3, SHT 2) (9 POS PER ROW MIN) (MAX POST: .075 [1.91]) (USE ONLY WHEN MATING WITH CLP) (SEE NOTE 6)

POST LENGTH
-XXX±.005 [.13] .065 [1.65] MIN.

BOARD SPACE
-XXX±.005 [.13] (.070 [1.78] MIN.) SEE TABLE 1 FOR MAX.

ROW OPTION
-D: DOUBLE (SEE TABLE 3)
-S: SINGLE (USE 2 FTS-50-SV)

DO NOT DESIGN -S: SINGLE ROW IN!! SAMTEC WILL ONLY SUPPORT EXISTING BUSINESS AS OF 10/17/97.

LEAD STYLE	OPTIONS	BOARD STYLE/HEIGHT	* "C" DIMENSION	FOR DOUBLE ROW OPTIONS ONLY PACKAGING TUBE	PLUG
-01,-02,-04	NONE	FTS	0-.350	PT-FW001-D-.070-.198	TP-24
-01,-02,-04	NONE	FTSH	0-.415	PT-FW002-D-.199-.253	TP-24
-01,-02,-04	NONE	FTSH	.416-.800	PT-FW003-D-.254-.690	TP-24
-01,-02,-04	EP,ES	.199-.690	.800 MAX	PT-FW004-0X-D-EX	TP-24
-01,-02,-04	NONE	FTS	.351-.800	PT-FW007-D-.070-.198	TP-24

"C" DIMENSION = POST LENGTH + BOARD SPACE + "A" (SEE TABLE 1)

- NOTES:
1. MAX ALLOWABLE BOW: .003 IN/IN AFTER ASSEMBLY.
 2. PUSHOUT FORCE SHALL BE .5 LB MIN. ON BOARD STYLE .070-.198 AND 1 LB MIN ON BOARD STYLE .199-.690
 3. GOLD AREA TO APPEAR ON POST.
 4. TAILS SHEARED TO DIMENSIONS SHOWN.
 5. LAYER PACKAGE POSITIONS 2 - 10. TUBE PACKAGE POSITIONS 11 - 50.
 6. AVAILABLE ONLY W/BOARD SPACE .215 TO .610
 7. "B" = POST DIMENSION + BOARD SPACE.
 8. MAX CUT FLASH: .010 [2.5].
 9. FILL BODY SO THAT THE LEAD IN OF THE CORE IS ON THE TAIL SIDE.

PROPRIETARY NOTE
THIS DOCUMENT CONTAINS INFORMATION CONFIDENTIAL AND PROPRIETARY TO SAMTEC INC. AND SHALL NOT BE REPRODUCED OR TRANSMITTED TO OTHERS OR USED FOR ANY PURPOSE OTHER THAN THAT FOR WHICH IT WAS OBTAINED WITHOUT THE EXPRESSED WRITTEN CONSENT OF SAMTEC INC.

MATERIAL:
FTM-50-D &
FTSH-50-D
VECTRA E130
COLOR: BLACK
FW-50-D
ZENITE 6130L
COLOR: NATURAL
TERMINAL:
PHOS BRONZE
MAX FLASH ALLOWED:
.002 [.05]
MAX GATE VESTIGE
ALLOWED: .002 [.05]

EXISPROD\ASSEMBLY\050
FW-ASM

520 PARK EAST BLVD. NEW ALBANY, INDIANA 47150
PHONE (812) 944-6733 P.O. BOX 1147
CODE 55322

MADE BY:
BRATCHER 4-8-94

FW-XX-XX-XX-X-XXX-XXX-XX
SHEET 1 OF 2