



Chipsmall Limited consists of a professional team with an average of over 10 year of expertise in the distribution of electronic components. Based in Hongkong, we have already established firm and mutual-benefit business relationships with customers from,Europe,America and south Asia,supplying obsolete and hard-to-find components to meet their specific needs.

With the principle of “Quality Parts,Customers Priority,Honest Operation,and Considerate Service”,our business mainly focus on the distribution of electronic components. Line cards we deal with include Microchip,ALPS,ROHM,Xilinx,Pulse,ON,Everlight and Freescale. Main products comprise IC,Modules,Potentiometer,IC Socket,Relay,Connector.Our parts cover such applications as commercial,industrial, and automotives areas.

We are looking forward to setting up business relationship with you and hope to provide you with the best service and solution. Let us make a better world for our industry!



## Contact us

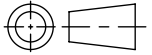
Tel: +86-755-8981 8866 Fax: +86-755-8427 6832

Email & Skype: info@chipsmall.com Web: www.chipsmall.com

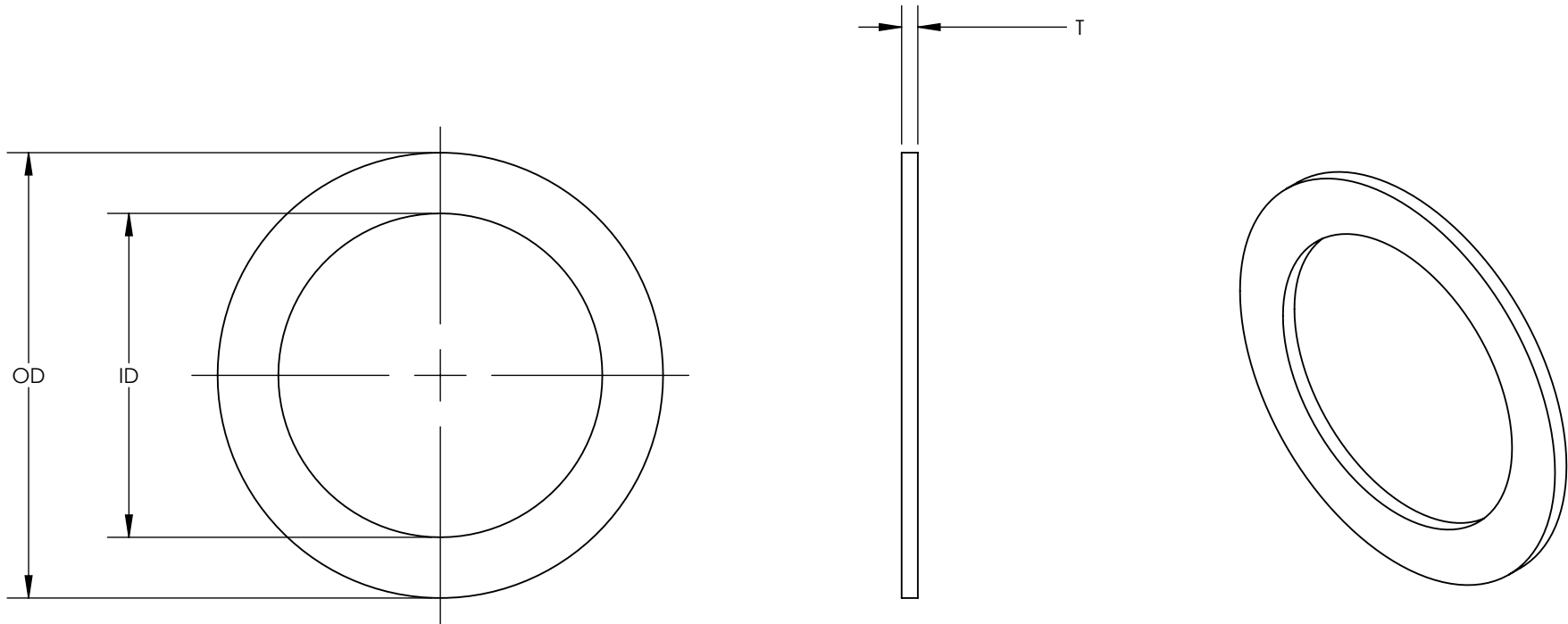
Address: A1208, Overseas Decoration Building, #122 Zhenhua RD., Futian, Shenzhen, China



SW2014



Revision level			Revision Record	Changed	Date	Approved	Date
Drawing	State	Part					
00.0	Design Release		SEE ECN# 013585	GRW	10/13/2016	KAC	10/13/2016



To Fit Thread Size		HellermannTyton Part Number	Manufacturer Reference Number	Dimension					
in.	mm			Outside diameter		Inside Diameter		Thickness	
				in.	mm	in.	mm	in.	mm
3/8	16	FW16	FW16	0.87	22	0.63	16	0.06	1.6
1/2	20	FW20	FW20	1.02	26	0.79	20	0.06	1.6
3/4	25	FW25	FW25	1.26	32	0.98	25	0.06	1.6
1.00	32	FW32	FW32	1.62	41.2	1.26	32	0.06	1.6
1.25	40	FW40	FW40	1.97	50	1.57	40	0.06	1.6
1.50	50	FW50	FW50	2.36	60	1.97	50	0.06	1.6
2.00	63	FW63	FW63	2.87	73	2.48	63	0.06	1.6

Material  
VF

Units: **inches**  
 Dimension without tolerances details to:  
 .xxxx = ±.0005  
 .xxx = ±.005  
 .xx = ±.01  
 .x = ±.03  
 None = ±.06  
 ∠ = ±0.5°  
 Dimension Formatted in/[mm]

The copyright of this drawing is reserved by HellermannTyton. It is issued on condition that it is not reproduced, copied, or disclosed to a third party, either wholly or in part, without the consent of HellermannTyton.

Drawn GRW 10/13/2016  
 Approved KAC 10/13/2016

**HellermannTyton**  
 North America  
 Email: corp@htamericas.com  
 Web: www.hellermann.tyton.com

Article/Type-No FW SERIES  
 Title **HELAGUARD VULCANIZED FIBER SEALING WASHER**  
 Drawing-No PRODUCTION : Phase  
**16-1620-001-CSU**

Scale 2:1  
 Project Number PRP 16-1620  
 Format AH  
 Sheet 1/1