



Chipsmall Limited consists of a professional team with an average of over 10 year of expertise in the distribution of electronic components. Based in Hongkong, we have already established firm and mutual-benefit business relationships with customers from,Europe,America and south Asia,supplying obsolete and hard-to-find components to meet their specific needs.

With the principle of “Quality Parts,Customers Priority,Honest Operation,and Considerate Service”,our business mainly focus on the distribution of electronic components. Line cards we deal with include Microchip,ALPS,ROHM,Xilinx,Pulse,ON,Everlight and Freescale. Main products comprise IC,Modules,Potentiometer,IC Socket,Relay,Connector.Our parts cover such applications as commercial,industrial, and automotives areas.

We are looking forward to setting up business relationship with you and hope to provide you with the best service and solution. Let us make a better world for our industry!



## Contact us

Tel: +86-755-8981 8866 Fax: +86-755-8427 6832

Email & Skype: info@chipsmall.com Web: www.chipsmall.com

Address: A1208, Overseas Decoration Building, #122 Zhenhua RD., Futian, Shenzhen, China





## FWA020 Class II 20 Watt ITE Desktop Power Supply

- High Efficiency
- Fully Regulated DC Output
- 5-Year Limited Warranty
- Hold-up Time >18ms at full load
- Safety Approval-EN60950-1 Class II
- Level V, EuP Directive Compliant
- LED Indicator

| Elpac Part Number | Output Voltage | Output Current | Peak Current | Total Regulation | Typical Efficiency |
|-------------------|----------------|----------------|--------------|------------------|--------------------|
| FWA020005B-10B    | 5.0V           | 4.0A           | 4.2A         | +/-5%            | 80%                |
| FWA020009B-10B    | 9.0V           | 2.22A          | 2.3A         | +/-5%            | 83%                |
| FWA020012B-10B    | 12.0V          | 1.67A          | 1.75A        | +/-5%            | 84%                |
| FWA020024B-10B    | 24.0V          | 0.84A          | 0.87A        | +/-5%            | 86%                |

### Input

|                                 |                                                                    |
|---------------------------------|--------------------------------------------------------------------|
| Input Voltage                   | 85-264VAC; 100-240VAC Nominal                                      |
| Input Frequency                 | 47-63Hz                                                            |
| Input Current                   | <0.3A rms                                                          |
| Inrush Current                  | <50A @ 230VAC cold start                                           |
| Zero Load Power Consumption     | <0.3W                                                              |
| Earth Leakage Current (Typical) | <40µA @ 132VAC @ 60Hz (typical)<br><60µA @ 264VAC @ 60Hz (typical) |

### Output

|                         |                            |
|-------------------------|----------------------------|
| Output Voltage          | See Part Number Table      |
| Total Regulation        | +/-5%                      |
| Minimum Load            | No minimum load required   |
| Start-Up Delay          | <1.5s                      |
| Hold-Up Time            | >18ms at any input voltage |
| Ripple & Noise          | <1% pk-pk**                |
| Over Voltage Protection | 112-135%                   |

|                             |                                                      |
|-----------------------------|------------------------------------------------------|
| Over Temperature Protection | Active - Recoverable; plus Passive - Non Recoverable |
| Over Current Protection     | 108% - 160%                                          |
| Short Circuit Protection    | Shutdown, auto-restart (hiccup mode)                 |


### General

|               |                                                  |
|---------------|--------------------------------------------------|
| Efficiency    | Avg Efficiency 83.4% at 115VAC; 82.8% @ 230VAC   |
| MTBF          | min. 200,000 hours demonstrated                  |
| Size          | 3.45" (87.7mm) x 2.04" (5.18mm) x 1.30" (33.0mm) |
| Weight        | 5V 0.4lbs (0.2Kg); 24V 0.3 lbs (0.16Kg)          |
| Power Density | 3.0 W/in <sup>3</sup>                            |

### Environmental

|                       |                                                                   |
|-----------------------|-------------------------------------------------------------------|
| Operating Temperature | 0 – 60°C (Full load to 40°C, derate linearly to 50% load at 60°C) |
| Storage Temperature   | -40°C to +85°C                                                    |
| Relative Humidity     | 5-95%, non-condensing                                             |
| Cooling               | Natural Convection                                                |
| Vibration             | All units production tested to 19.6m/s <sup>2</sup>               |

### EMC & Safety

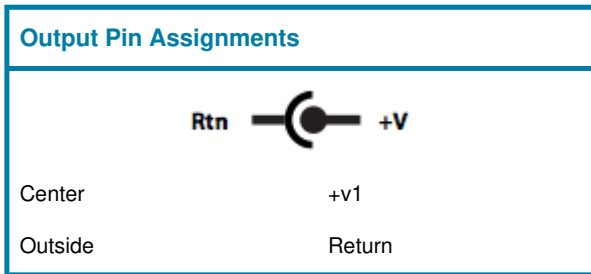
|                                                                                     |                                              |
|-------------------------------------------------------------------------------------|----------------------------------------------|
| Emissions                                                                           | FCC class B, CISPR22 class B EN61000-3-2, -3 |
| Immunity                                                                            | EN61000-4-2, -3, -4, -5, -6, -8, -11         |
| Certified by TUV to the following:                                                  | cTUVus                                       |
|  | UL 60950-1                                   |
|                                                                                     | CAN/CSA-22.2 No.950                          |
|                                                                                     | CB per IEC60950-1                            |
|                                                                                     | CE marked to LVD & EMC Directive             |

### Input Configuration

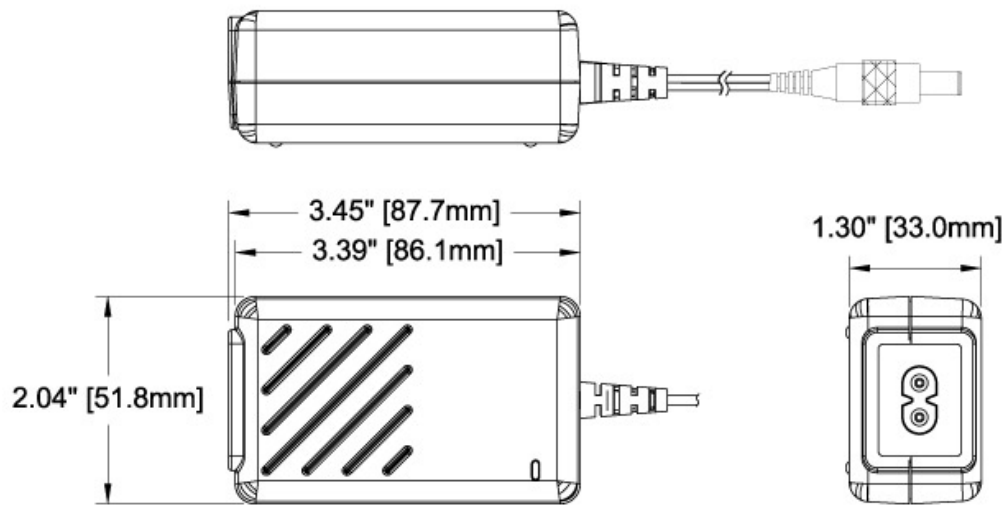
|                                 |                                                           |
|---------------------------------|-----------------------------------------------------------|
| Standard Input Cable            | 6 ft cable with US standard (Nema 1-15) 2 prong connector |
| Connection on Power Supply Body | IEC 320 C8 Receptacle                                     |

### Output Configuration

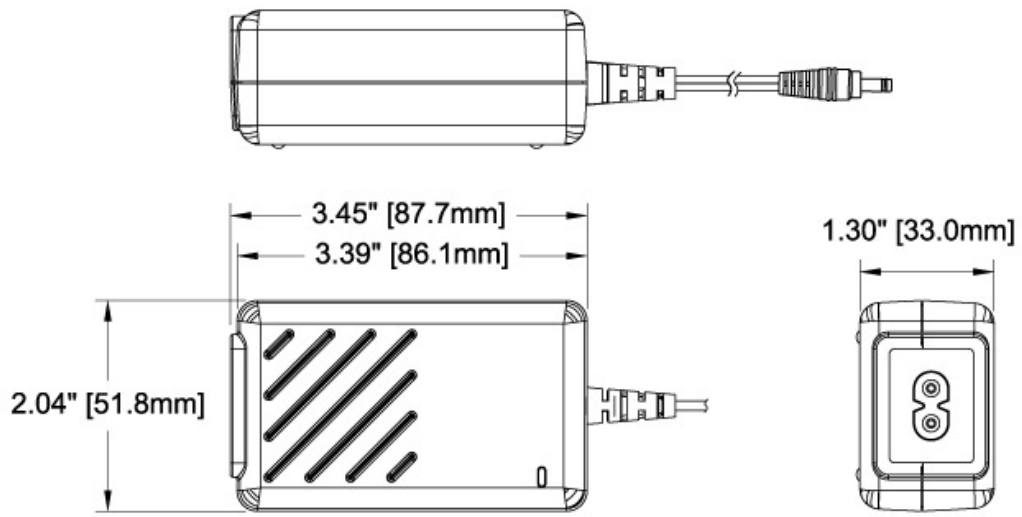
|                       |                                |
|-----------------------|--------------------------------|
| Standard Output Cable | 6 ft.                          |
| Cord Size             | 16AWG zip (5V, 9V)             |
|                       | 18AWG zip (12V)                |
|                       | 20AWG zip (24V)                |
| Connector (PSU side)  | Switchcraft 760 or equivalent  |
| Mating Connector      | Switchcraft 712A or equivalent |



5V and 9V Model



12V and 24V Model



### Inventory Results For FWA020 Class II

| Part Number | Distributor | Quantity | Inv. Date |
|-------------|-------------|----------|-----------|
|-------------|-------------|----------|-----------|