



Chipsmall Limited consists of a professional team with an average of over 10 year of expertise in the distribution of electronic components. Based in Hongkong, we have already established firm and mutual-benefit business relationships with customers from,Europe,America and south Asia,supplying obsolete and hard-to-find components to meet their specific needs.

With the principle of “Quality Parts,Customers Priority,Honest Operation,and Considerate Service”,our business mainly focus on the distribution of electronic components. Line cards we deal with include Microchip,ALPS,ROHM,Xilinx,Pulse,ON,Everlight and Freescale. Main products comprise IC,Modules,Potentiometer,IC Socket,Relay,Connector.Our parts cover such applications as commercial,industrial, and automotives areas.

We are looking forward to setting up business relationship with you and hope to provide you with the best service and solution. Let us make a better world for our industry!



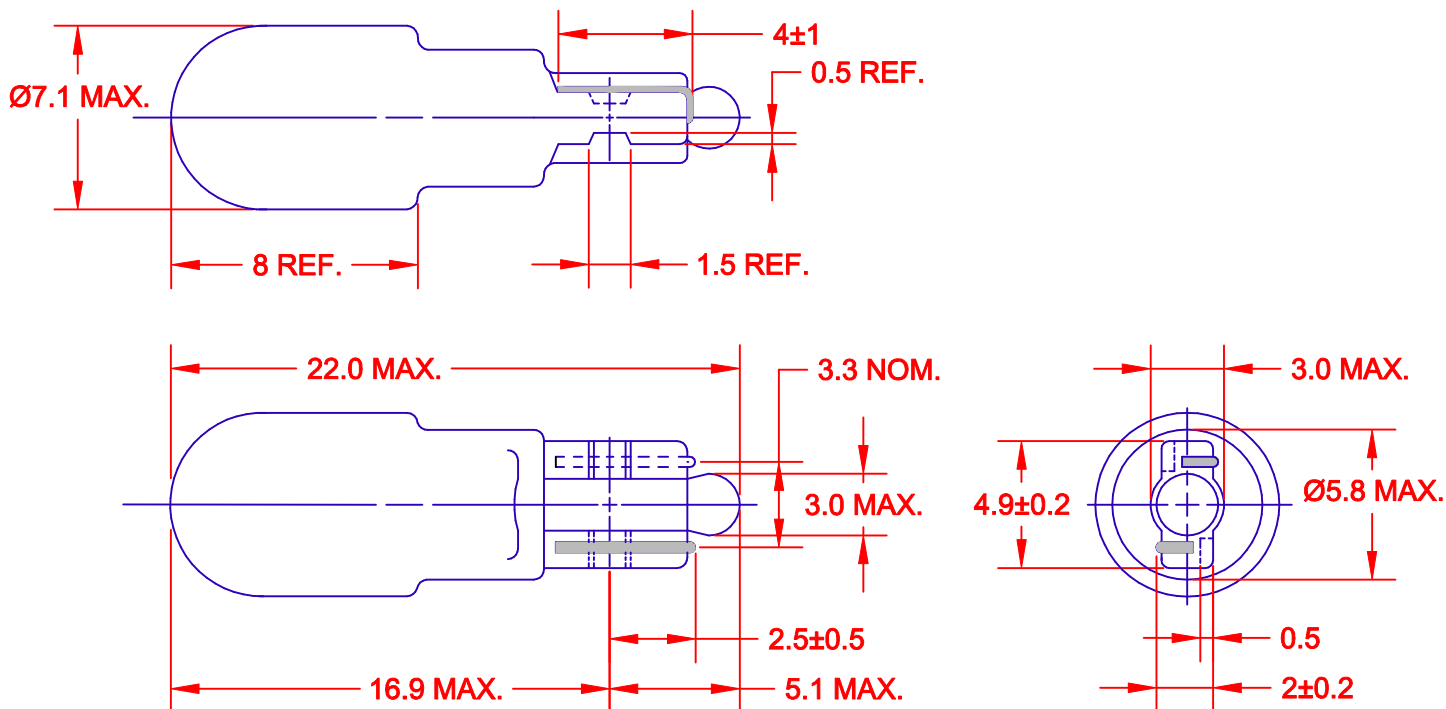
Contact us

Tel: +86-755-8981 8866 Fax: +86-755-8427 6832

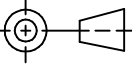
Email & Skype: info@chipsmall.com Web: www.chipsmall.com

Address: A1208, Overseas Decoration Building, #122 Zhenhua RD., Futian, Shenzhen, China





JKL LAMP NUMBER	VOLTS RATED	AMPS $\pm 10\%$	*MSCP $\pm 25\%$	*LUMENS $\pm 25\%$	AVERAGE LIFE HRS.	FILAMENT TYPE
FWG203	14.0	.120	.90	11.31	1,500	C-2F
FWG103	14.0	.220	1.70	21.37	1,500	C-2F
FWG803	28.0	.107	1.00	12.57	1,000	C-2F

		METRIC  THIRD ANGLE PROJECTION		DIMENSIONS ARE IN MILLIMETERS TOLERANCE UNLESS OTHERWISE SPECIFIED 1 PL +/- 0.2 2 PL +/- 0.20 ANGLE +/- 0		JKL COMPONENTS CORPORATION											
						TITLE T-1 3/4 SPECIAL GLASS WEDGE BASE											
A DIMENSION CHANGE RELEASED & CANCEL GW-SPC-T1 3/4, FWG303		7/16/02 6/14/00		DRAWN BY L. WENGSTROM		APPV'D BY DATE E.D. 7/16/02		SIZE A		FSCM NO. 55335		DRAWING NO. GLASS WEDGE SPECIAL T-1 3/4					
REV. NO.		DESCRIPTION/ECO NUMBER		APPV'D DATE		- CAD DRAWING - MANUAL REVISIONS NOT PERMITTED		SCALE NONE		RELEASED DATE 6/14/00		REVISION DATE 7/15/02		REV. NO. A		SHEET 1 OF 1	