



Chipsmall Limited consists of a professional team with an average of over 10 year of expertise in the distribution of electronic components. Based in Hongkong, we have already established firm and mutual-benefit business relationships with customers from,Europe,America and south Asia,supplying obsolete and hard-to-find components to meet their specific needs.

With the principle of "Quality Parts,Customers Priority,Honest Operation,and Considerate Service",our business mainly focus on the distribution of electronic components. Line cards we deal with include Microchip,ALPS,ROHM,Xilinx,Pulse,ON,Everlight and Freescale. Main products comprise IC,Modules,Potentiometer,IC Socket,Relay,Connector.Our parts cover such applications as commercial,industrial, and automotives areas.

We are looking forward to setting up business relationship with you and hope to provide you with the best service and solution. Let us make a better world for our industry!



Contact us

Tel: +86-755-8981 8866 Fax: +86-755-8427 6832

Email & Skype: info@chipsmall.com Web: www.chipsmall.com

Address: A1208, Overseas Decoration Building, #122 Zhenhua RD., Futian, Shenzhen, China



LETTERS IN CIRCLE INDICATE CHANGE FROM PRECEDING PRINT J05364

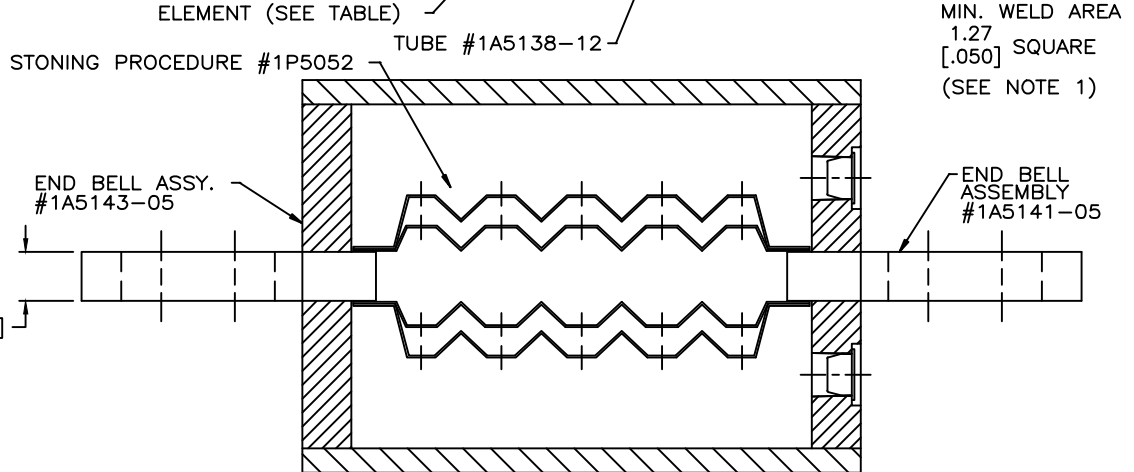
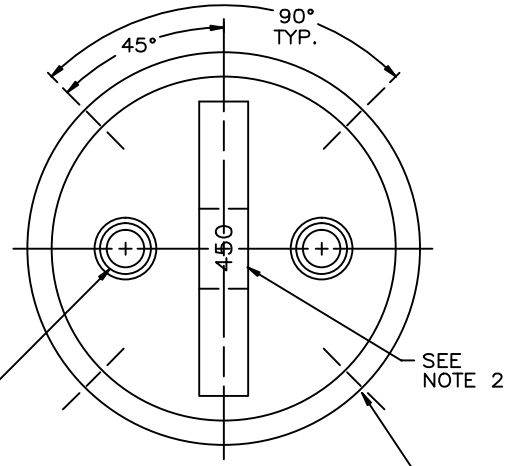
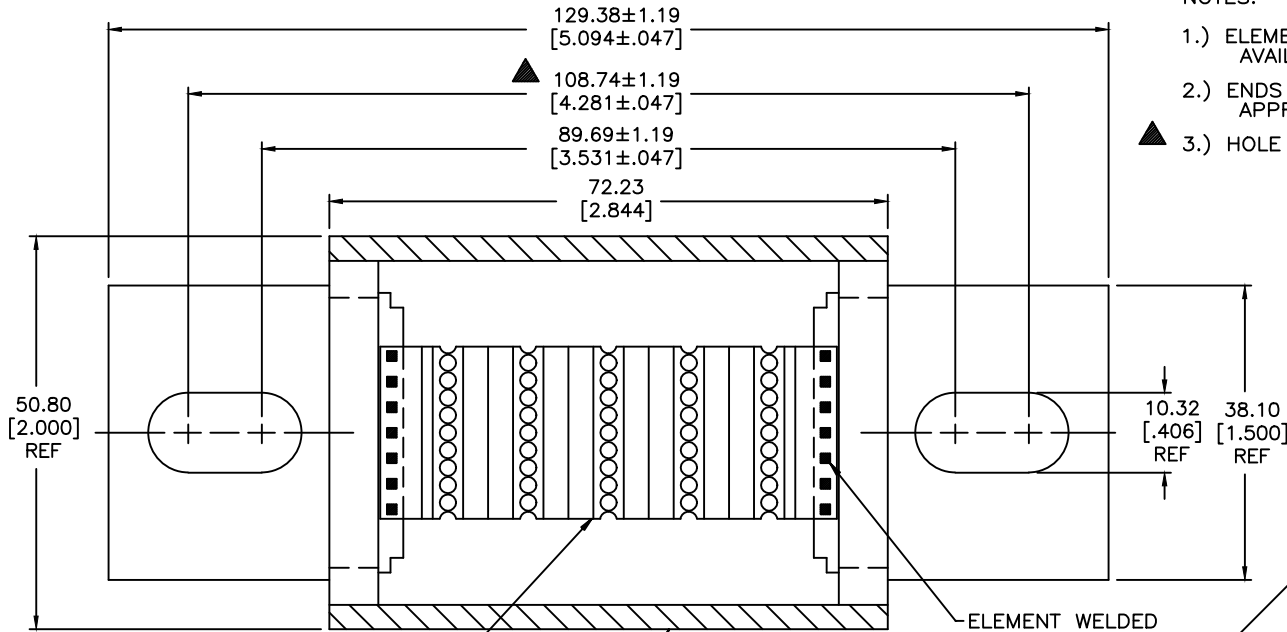
PAGE 1 OF 2

J 56	CONFIDENTIAL. THE INFORMATION CONTAINED IN THIS DOCUMENT IS THE PROPERTY OF COOPER INDUSTRIES, INC. IT IS NOT FOR PUBLIC DISCLOSURE. POSSESSION OF THE INFORMATION DOES NOT CONVEY ANY RIGHT TO LOAN, SELL OR DISCLOSE THE INFORMATION. UNAUTHORIZED REPRODUCTION OR USE OF THE INFORMATION IS PROHIBITED. THIS DOCUMENT IS TO BE RETURNED TO COOPER INDUSTRIES, INC. UPON COMPLETION OF THE PURPOSE FOR WHICH IT IS LOANED OR UPON REQUEST.	SCALE 1x	UNLESS OTHERWISE SPECIFIED TOLERANCES TO BE: METRIC ±.13mm INCHES ±.005" ANGULAR ±2°	C/F NO. 66464
	COPYRIGHT Cooper Industries, Inc. This is an unpublished work. The disclosure of this work is limited to select personnel. Further dissemination or disclosure to the public is PROHIBITED. This unpublished work is protected by Federal Copyright law and all rights thereunder are reserved by Cooper Industries, Inc.	(2) INDICATES CRITICAL DIMENSION OR FEATURE	THIRD ANGLE PROJECTION	

INCHES (OR U.S. UNITS) IS THE PRIMARY UNIT OF MEASURE METRIC(mm) [INCHES]

NOTES:

- ELEMENTS ARE TO BE CENTERED WITHIN THE AVAILABLE WELDING SURFACE OF THE TERMINAL.
- ENDS OF TERMINALS STAMPED WITH APPROPRIATE AMP RATING.
- HOLE DIAMETER: $2.39 \pm .05$, HOLE DEPTH: $8.51 \pm .25$
 \blacktriangle $[\ .094 \pm .002]$, $[\ .335 \pm .010]$



CAP #1A6226 (2 USED—THIS END ONLY)
 HOLDING PINS #1A6461 (4 EACH END 90° APART) (SEE NOTE 3)

AMP RATING	ELEMENT ASSY.NO.	QTY. USED
450	1A5146-04	2
500	1A5146-05	2
600	1A5146-07	2

FUSE TUBE MARKING PER PROCEDURE #1P1594.
 PACKAGING SPECIFICATION #1P0370

