



Chipsmall Limited consists of a professional team with an average of over 10 year of expertise in the distribution of electronic components. Based in Hongkong, we have already established firm and mutual-benefit business relationships with customers from,Europe,America and south Asia,supplying obsolete and hard-to-find components to meet their specific needs.

With the principle of “Quality Parts,Customers Priority,Honest Operation,and Considerate Service”,our business mainly focus on the distribution of electronic components. Line cards we deal with include Microchip,ALPS,ROHM,Xilinx,Pulse,ON,Everlight and Freescale. Main products comprise IC,Modules,Potentiometer,IC Socket,Relay,Connector.Our parts cover such applications as commercial,industrial, and automotives areas.

We are looking forward to setting up business relationship with you and hope to provide you with the best service and solution. Let us make a better world for our industry!



Contact us

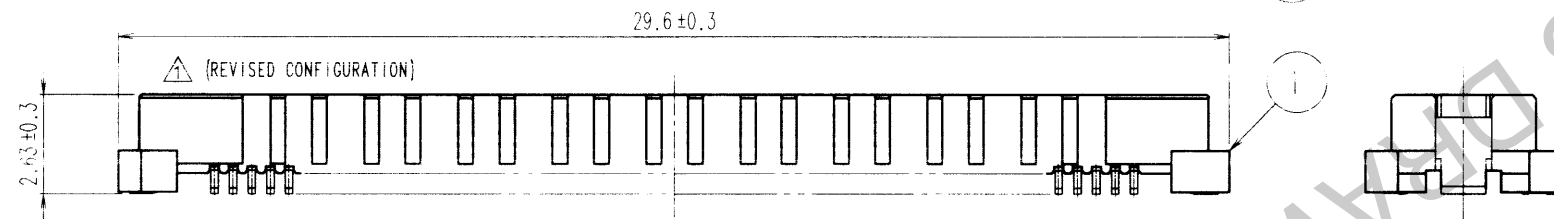
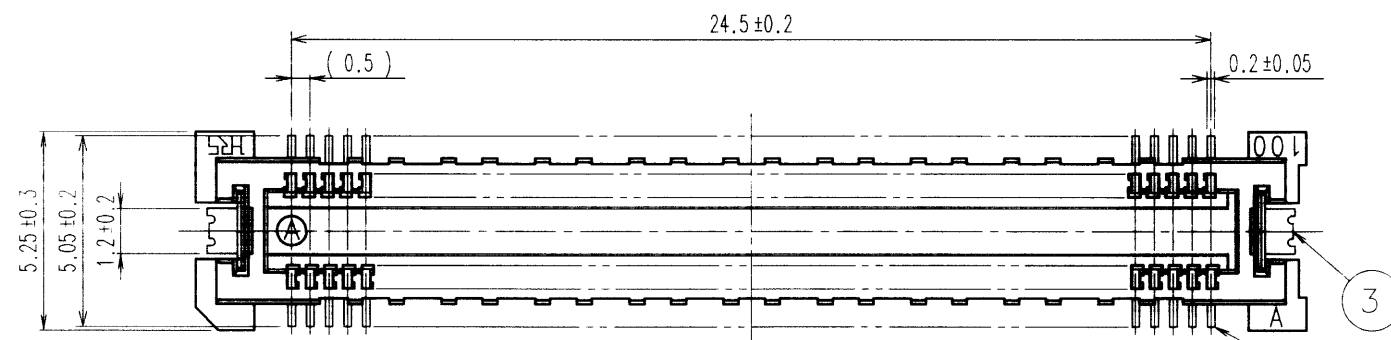
Tel: +86-755-8981 8866 Fax: +86-755-8427 6832

Email & Skype: info@chipsmall.com Web: www.chipsmall.com

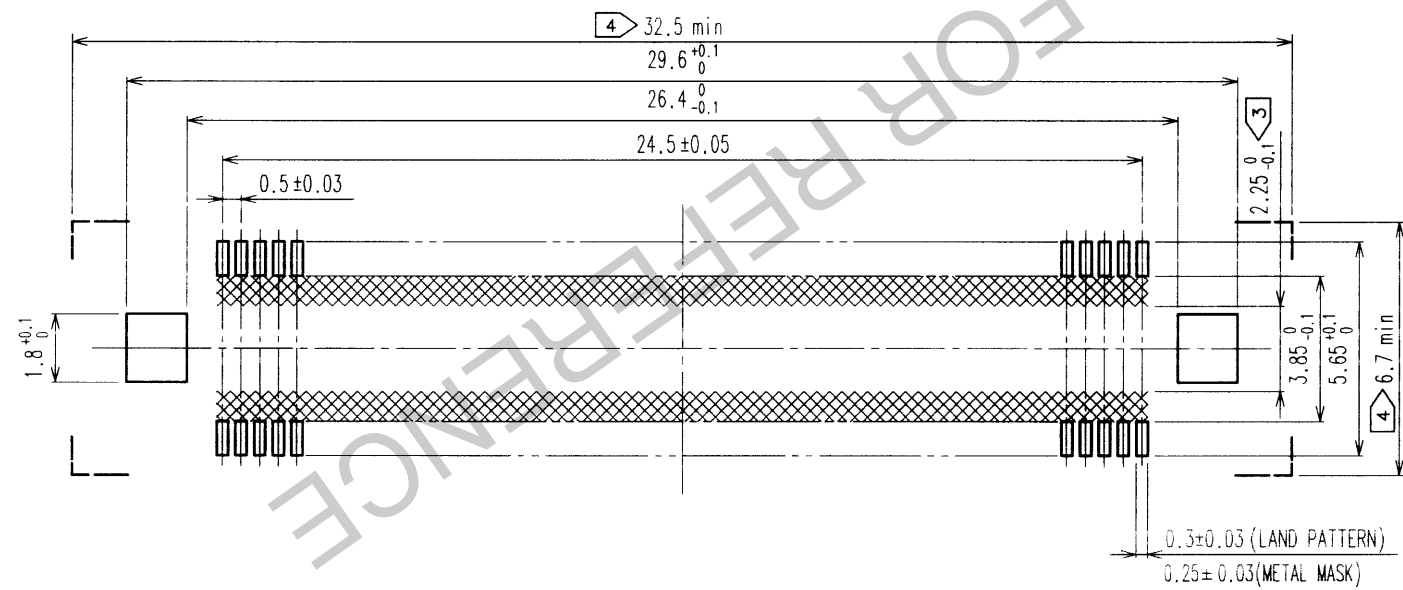
Address: A1208, Overseas Decoration Building, #122 Zhenhua RD., Futian, Shenzhen, China



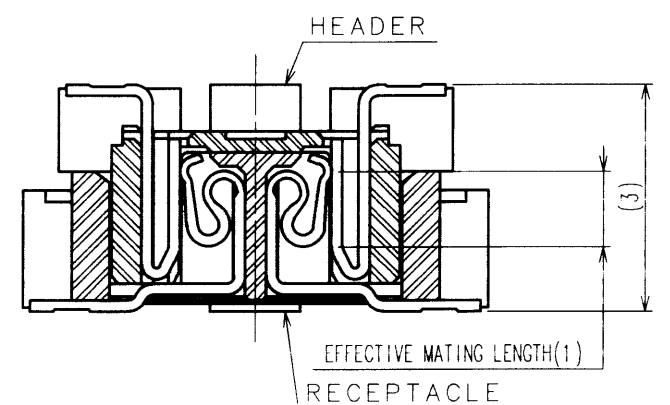
COUNT	DESCRIPTION OF REVISIONS	BY	CHKD	DATE	COUNT	DESCRIPTION OF REVISIONS	BY	CHKD	DATE
1	RE-F-06821	J.M	H.O	00.04.06					



RECOMMENDED LAND PATTERN DIMENSION OF PCB



SIGNAL PORTION CROSS SECTION (10:1)



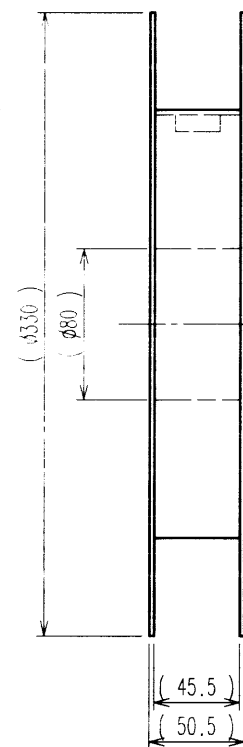
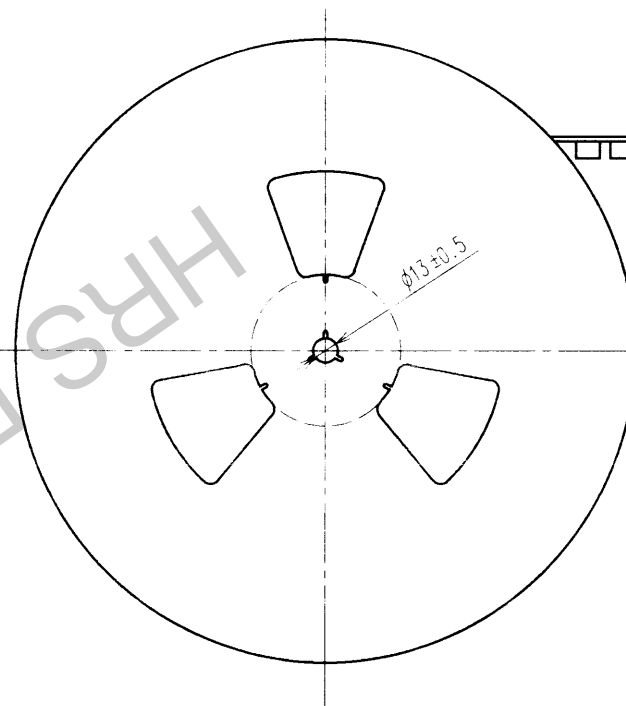
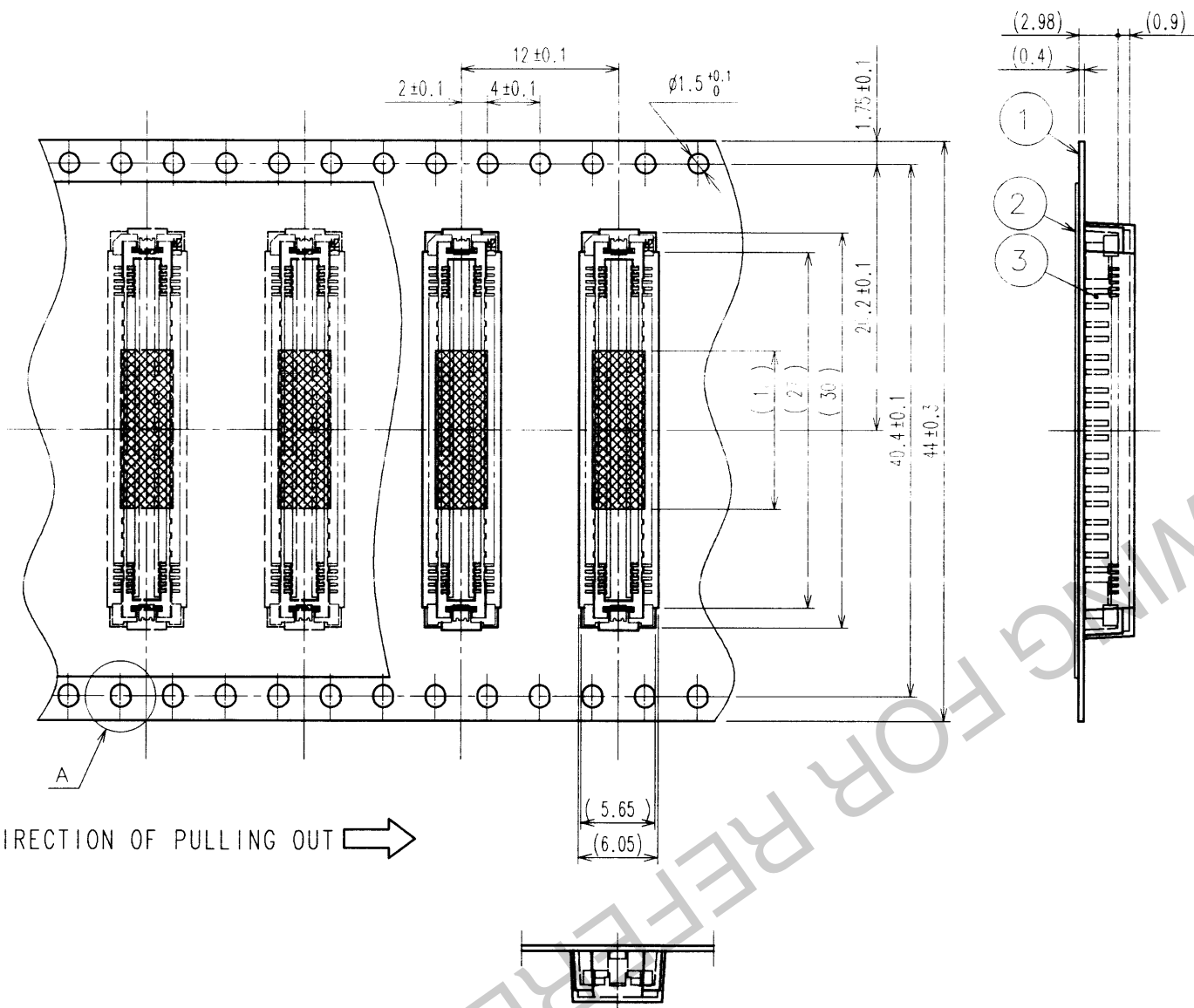
- NOTES
- SMT LEAD-COPLANARITY:0.1 MAX.
 - THIS PRODUCT HAS NO POLARITY TO PATTERN FOR MOUNTING.
 - MAKE SURE WIDTH OF PATTERN IS WITHIN THAT OF LAND ,OR LEAD MAY TOUCH PATTERN. (THIS APPLIES TO HATCHED AREA.)
 - DO NOT MOUNT OTHER DEVICES ONTO □ □ AREA ,OR MATING PAIR CANNOT BE MATED.
 - TO BE EMBOSSED CARRIER TAPED AS SPECIFIED IN SHEET 2.

TO
PCK

2	COPPER ALLOY	CONTACT AREA:GOLD (0.1μm) OVER NICKEL LEAD:GOLD FLASH OVER NICKEL	3	PHOSPHOR BRONZE	TIN PLATED		
1	LCP	BEIGE UL94V-0					
NO.	MATERIAL	FINISH, REMARKS	NO.	MATERIAL	FINISH, REMARKS		
CODE NO. (OLD)	CL		DRAWN	DESIGNED	CHECKED	APPROVED	RELEASED
			J.MATSUKAWA	J.MATSUKAWA	M.ISHIDA	Y.YOSHIMURA	
			00.01.15	00.01.15	00.01.17	00.01.17	
DRAWING NO.		PART NO.					
EDC3-152628-02		FX11B-100P-SV0.5(22)					
SCALE		CODE NO.					
5 : 1		CL573-0653-5-22					
UNITS		HIROSE ELECTRIC CO.,LTD.					
mm							

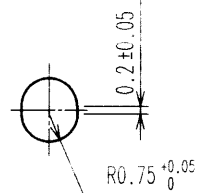
COUNT	DESCRIPTION OF REVISIONS	BY	CHKD	DATE	COUNT	DESCRIPTION OF REVISIONS	BY	CHKD	DATE

REELED DIMENSION (FREE)

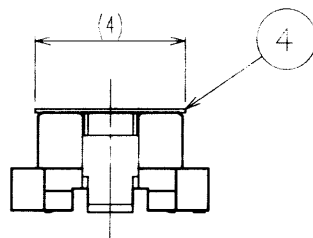


THE DIRECTION OF PULLING OUT →

A (5 : 1)



DETAIL FOR VACUUM PICKUP (5:1)



- NOTES 1 1 REEL:1000 CONNECTORS.
 2 MINIMUM 10 COMPARTMENTS FROM BOTH REEL ENDS REMAIN EMPTY.
 3 THIS PRODUCT HAS NO POLARITY TO TAPE AND REEL PACKAGING.

2	PET	TOP COVER TAPE	4	POLYIMIDE	(TAPE FOR VACUUM PICKUP)
1	PS	EMBOSSD CARRIER TAPE	3	(CONNECTOR)	
NO.	MATERIAL	FINISH, REMARKS	NO.	MATERIAL	FINISH, REMARKS
CODE NO. (OLD) CL		DRAWN J. MATSUKAWA	DESIGNED J. MATSUKAWA	CHECKED M. ISHIDA	APPROVED Y. YOSHIMURA
DRAWING FOR PACKING		00.01.15	00.01.15	00.01.17	00.01.17
SCALE 2 : 1		DRAWING NO. EDC3-152628-02		PART NO. FX11B-100P-SV0.5(22)	
UNITS mm		HRS HIROSE ELECTRIC CO., LTD		CODE NO. CL573-0653-5-22	

TO
PCK

2