



Chipsmall Limited consists of a professional team with an average of over 10 year of expertise in the distribution of electronic components. Based in Hongkong, we have already established firm and mutual-benefit business relationships with customers from,Europe,America and south Asia,supplying obsolete and hard-to-find components to meet their specific needs.

With the principle of “Quality Parts,Customers Priority,Honest Operation,and Considerate Service”,our business mainly focus on the distribution of electronic components. Line cards we deal with include Microchip,ALPS,ROHM,Xilinx,Pulse,ON,Everlight and Freescale. Main products comprise IC,Modules,Potentiometer,IC Socket,Relay,Connector.Our parts cover such applications as commercial,industrial, and automotives areas.

We are looking forward to setting up business relationship with you and hope to provide you with the best service and solution. Let us make a better world for our industry!



Contact us

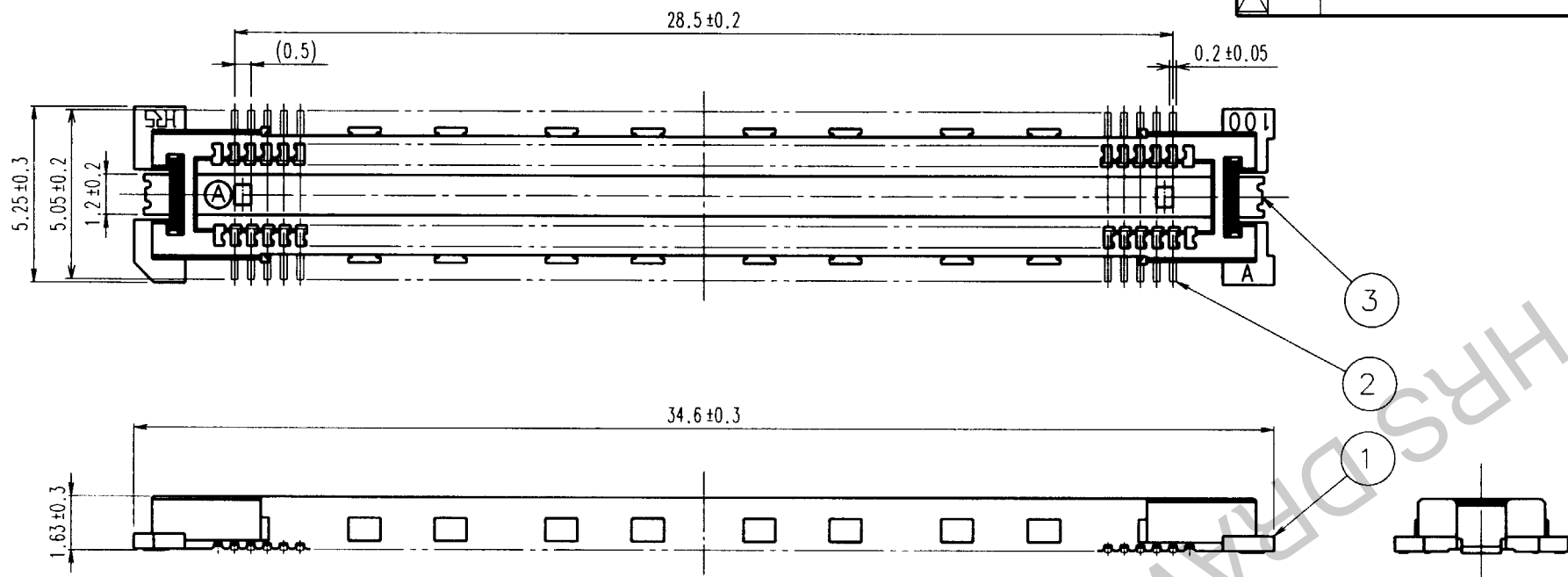
Tel: +86-755-8981 8866 Fax: +86-755-8427 6832

Email & Skype: info@chipsmall.com Web: www.chipsmall.com

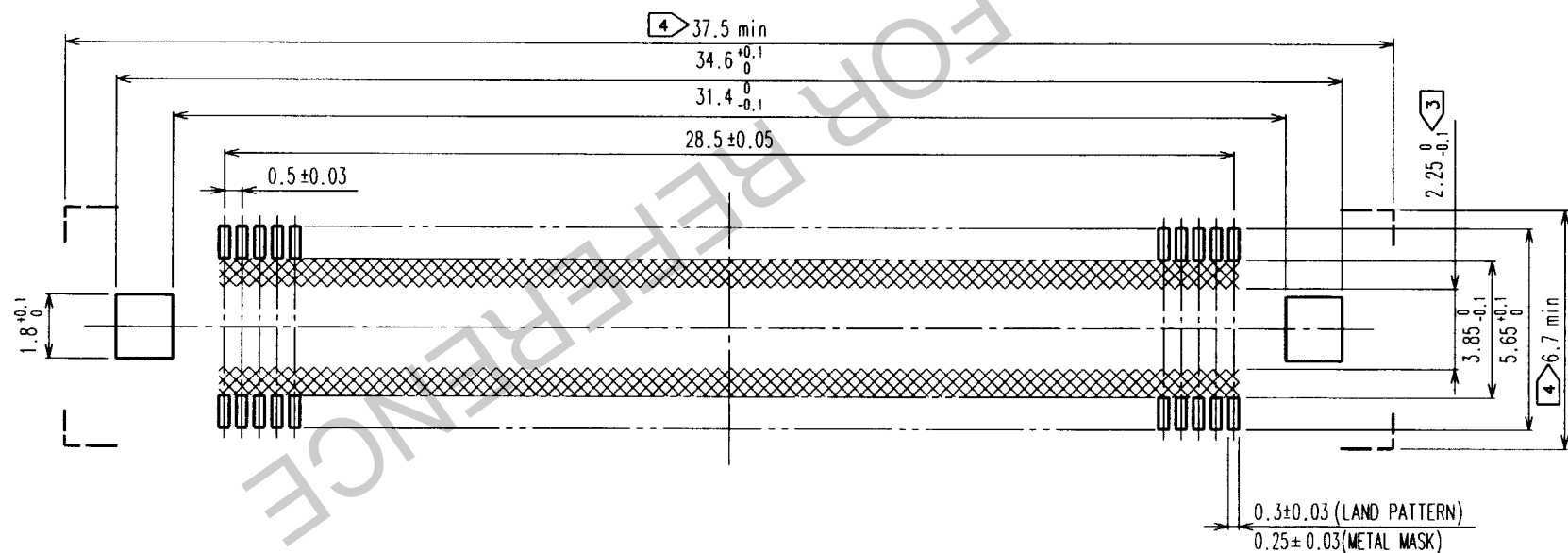
Address: A1208, Overseas Decoration Building, #122 Zhenhua RD., Futian, Shenzhen, China



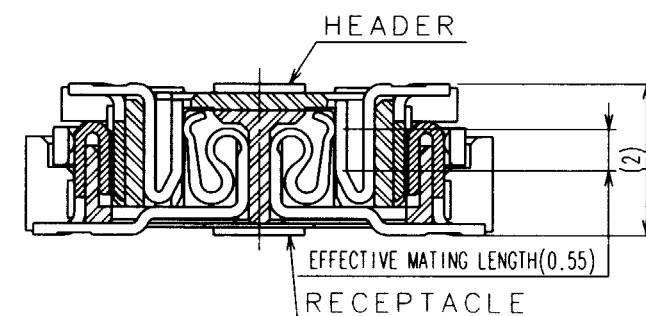
| COUNT | DESCRIPTION OF REVISIONS | BY | CHKD | DATE | COUNT | DESCRIPTION OF REVISIONS | BY | CHKD | DATE |
|-------|--------------------------|----|------|------|-------|--------------------------|----|------|------|
| △ | | | | | △ | | | | |
| △ | | | | | △ | | | | |
| △ | | | | | △ | | | | |



RECOMMENDED LAND PATTERN DIMENSION OF PCB



SIGNAL PORTION CROSS SECTION (10 : 1)

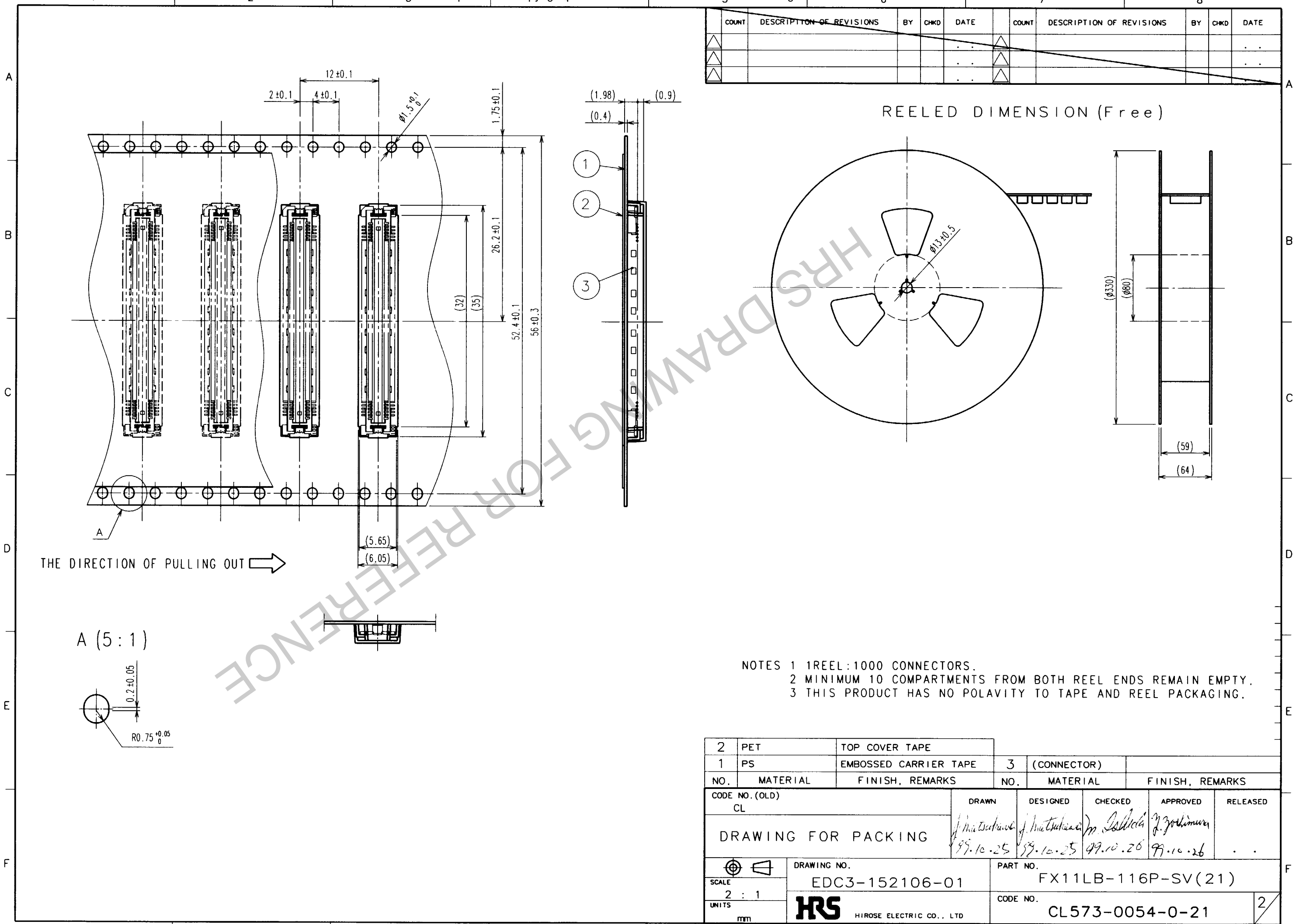


- NOTES
- 1 SMT LEAD-COPLANARITY:0.1 MAX.
 - 2 THIS PRODUCT HAS NO POLARITY TO PATTERN FOR MOUNTING.
 - 3 MAKE SURE WIDTH OF PATTERN IS WITHIN THAT OF LAND, OR LEAD MAY TOUCH PATTERN. (THIS APPLIES TO HATCHED AREA.)
 - 4 DO NOT MOUNT OTHER DEVICES ONTO [] AREA, OR MATING PAIR CANNOT BE MATED.
 - 5 TO BE EMBOSSED CARRIER TAPED AS SPECIFIED IN SHEET 2.

TO
PCK

| 2 | COPPER ALLOY | CONTACT AREA:GOLD (0.1μm) OVER NICKEL | | | |
|----------------|--------------|---------------------------------------|----------|----------------------------|-----------------|
| | | LEAD:GOLD FLASH OVER NICKEL | | | |
| 1 | LCP | BEIGE UL94V-0 | 3 | PHOSPHOR BRONZE TIN PLATED | |
| NO. | MATERIAL | FINISH, REMARKS | NO. | MATERIAL | FINISH, REMARKS |
| CODE NO. (OLD) | | DRAWN | DESIGNED | CHECKED | APPROVED |
| CL | | | | | |
| SCALE | | DRAWING NO. | | PART NO. | |
| 5 : 1 | | EDC3-152106-01 | | FX11LB-116P-SV (21) | |
| UNITS | | HRS HIROSE ELECTRIC CO., LTD. | | CODE NO. | |
| mm | | | | CL573-0054-0-21 | |

| COUNT | DESCRIPTION OF REVISIONS | BY | CHKD | DATE | COUNT | DESCRIPTION OF REVISIONS | BY | CHKD | DATE |
|-------|--------------------------|----|------|------|-------|--------------------------|----|------|------|
| | | | | | | | | | |
| | | | | | | | | | |
| | | | | | | | | | |



NOTES 1 REEL:1000 CONNECTORS.
 2 MINIMUM 10 COMPARTMENTS FROM BOTH REEL ENDS REMAIN EMPTY.
 3 THIS PRODUCT HAS NO POLAVITY TO TAPE AND REEL PACKAGING.

| 2 | PET | TOP COVER TAPE | 3 | (CONNECTOR) | |
|----------------------|----------|---------------------------------|--------------------------------|--------------------------------|--------------------------------|
| 1 | PS | EMBOSSD CARRIER TAPE | | | |
| NO. | MATERIAL | FINISH, REMARKS | NO. | MATERIAL | FINISH, REMARKS |
| CODE NO. (OLD) CL | | DRAWN | DESIGNED | CHECKED | APPROVED |
| DRAWING FOR PACKING | | <i>[Signature]</i> 99.10.25 | <i>[Signature]</i> 99.10.25 | <i>[Signature]</i> 99.10.26 | <i>[Signature]</i> 99.10.26 |
| SCALE 2 : 1 | | DRAWING NO. EDC3-152106-01 | | PART NO. FX11LB-116P-SV(21) | |
| UNITS mm | | HRS HIROSE ELECTRIC CO., LTD | | CODE NO. CL573-0054-0-21 | 2 |