



Chipsmall Limited consists of a professional team with an average of over 10 year of expertise in the distribution of electronic components. Based in Hongkong, we have already established firm and mutual-benefit business relationships with customers from,Europe,America and south Asia,supplying obsolete and hard-to-find components to meet their specific needs.

With the principle of “Quality Parts,Customers Priority,Honest Operation,and Considerate Service”,our business mainly focus on the distribution of electronic components. Line cards we deal with include Microchip,ALPS,ROHM,Xilinx,Pulse,ON,Everlight and Freescale. Main products comprise IC,Modules,Potentiometer,IC Socket,Relay,Connector.Our parts cover such applications as commercial,industrial, and automotives areas.

We are looking forward to setting up business relationship with you and hope to provide you with the best service and solution. Let us make a better world for our industry!



Contact us

Tel: +86-755-8981 8866 Fax: +86-755-8427 6832

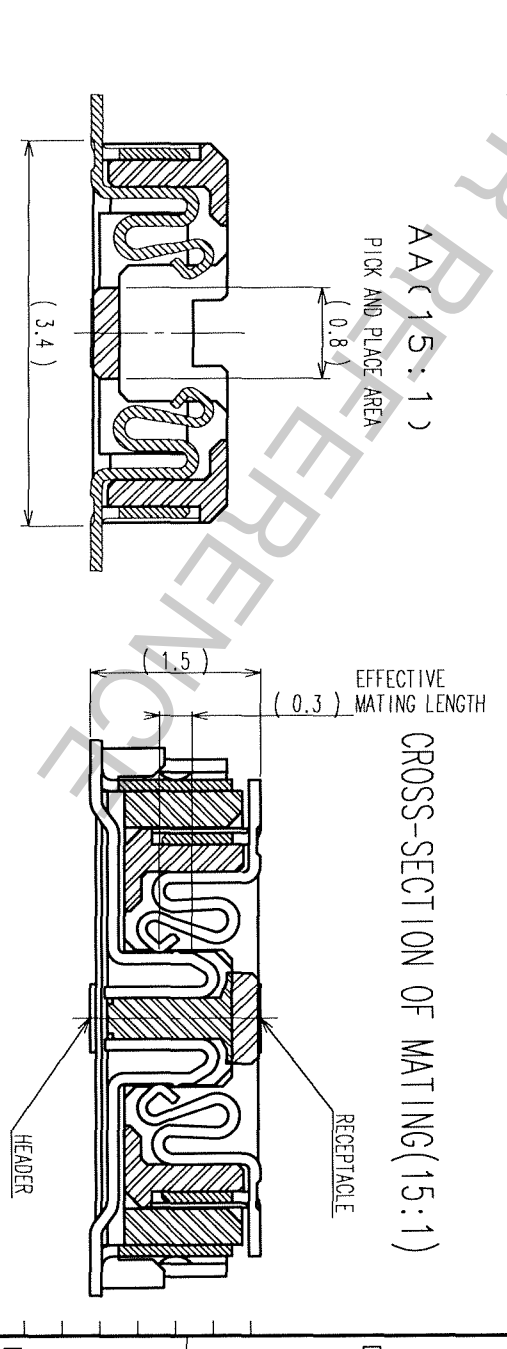
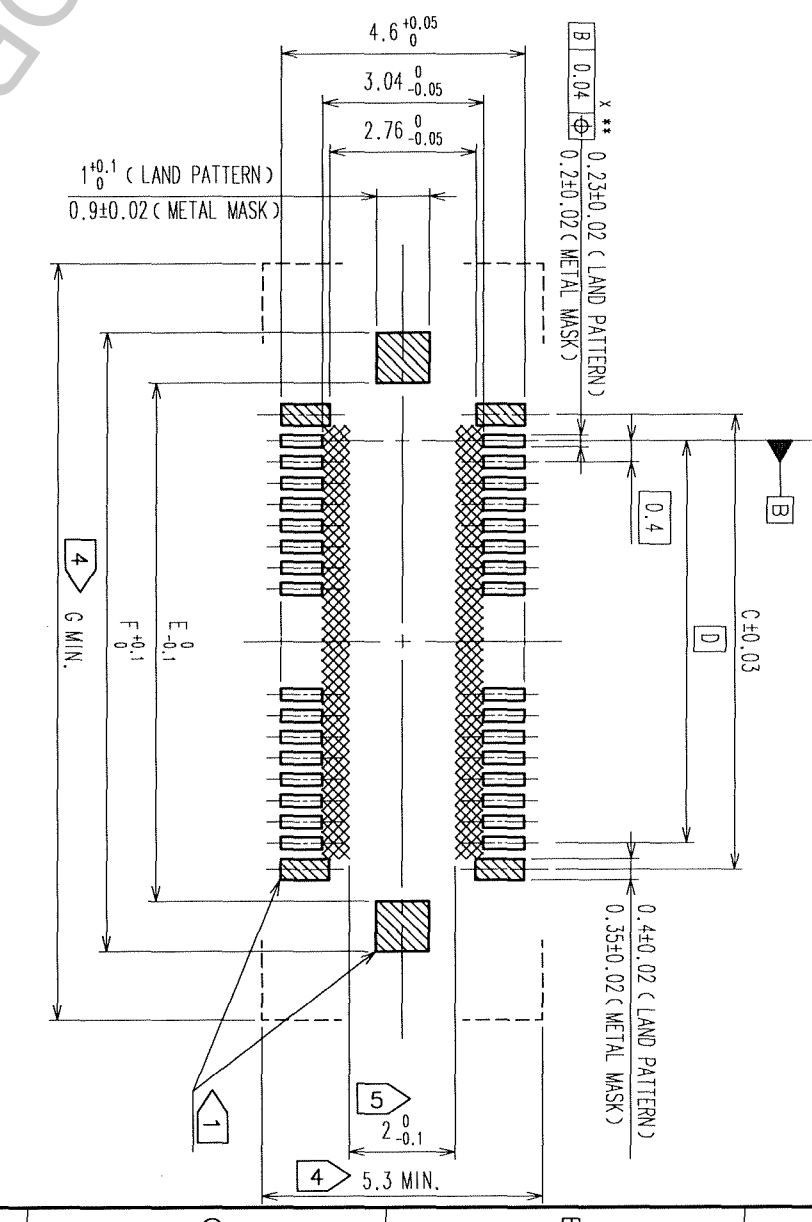
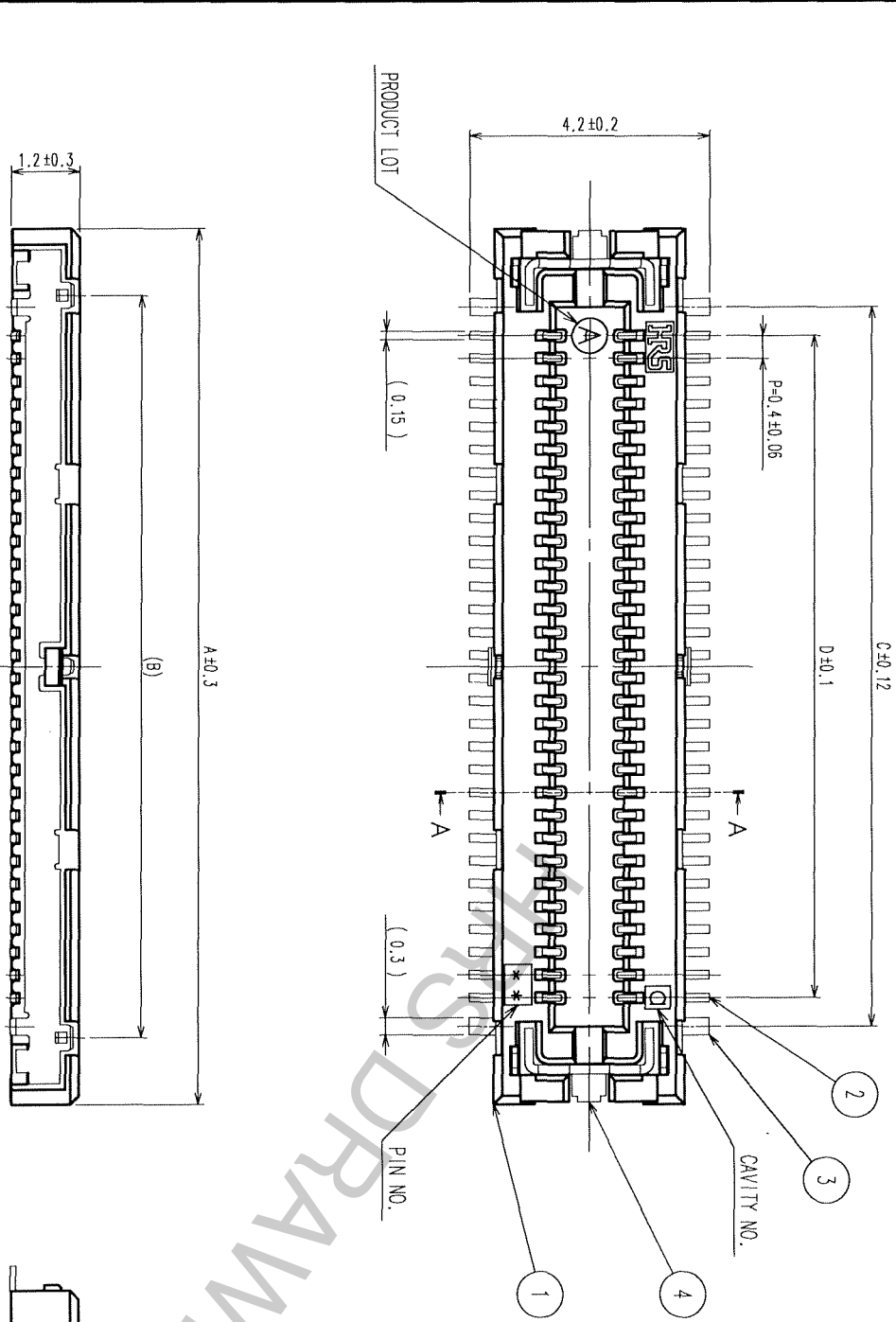
Email & Skype: info@chipsmall.com Web: www.chipsmall.com

Address: A1208, Overseas Decoration Building, #122 Zhenhua RD., Futian, Shenzhen, China



COUNT	DESCRIPTION OF REVISIONS	BY	CHKD	DATE	COUNT	DESCRIPTION OF REVISIONS	BY	CHKD	DATE

RECOMMENDED LAND PATTERN (FREE)



- NOTES
- 1 HATCHED PARTS: GROUND CIRCUIT.
 - 2 SMT LEAD-COPLANARITY: 0.1MAX.
 - 3 THIS PRODUCT HAS NO POLARITY TO PATTERN FOR MOUNTING. DO NOT MOUNT OTHER DEVICES ONTO THIS AREA, OR MATING PAIR CANNOT BE MATED.
 - 4 MAKE SURE WIDTH OF PATTERN IS WITHIN THAT OF LAND, OR LEAD MAY TOUCH PATTERN. (THIS APPLIES TO HATCHED AREA)
 - 5 THE DIMENSIONS IN PARENTHESES ARE FOR REFERENCE.
 - 6 HATCHED PARTS: GROUND CIRCUIT.

PART NO.	CODE NO.	A	B	C	D	E	F	G
FX12B-24S-0.4SV	CL573-1006-3-00	8.14	5.8	5.4	4.4	6.6	8.5	11.1
FX12B-40S-0.4SV	CL573-1002-2-00	11.34	9	8.6	7.6	9.8	11.7	14.3
FX12B-50S-0.4SV	-	13.34	11	10.6	9.6	11.8	13.7	16.3
FX12B-60S-0.4SV	CL573-1008-9-00	15.34	13	12.6	11.6	13.8	15.7	18.3

NO.	MATERIAL	FINISH, REMARKS	NO.	MATERIAL	FINISH, REMARKS
4	PHOSPHOR BRONZE	TIN-PLATING	2	PHOSPHOR BRONZE	CONTACT AREA: GOLD 0.1µm min. LEAD AREA: GOLD FLASH UNDER PLATING: NICKEL 1µm min.
3	PHOSPHOR BRONZE	GOLD FLASH			
1	POLYAMIDE	BLACK, UL94V-0			

SCALE: FREE UNITS: mm

DRAWING NO. EDC3-156245

PART NO. FX12B-*S-O.4SV

CODE NO. CL573

DRAWN: T. NODA '06.04.10

DESIGNED: '06.07.11

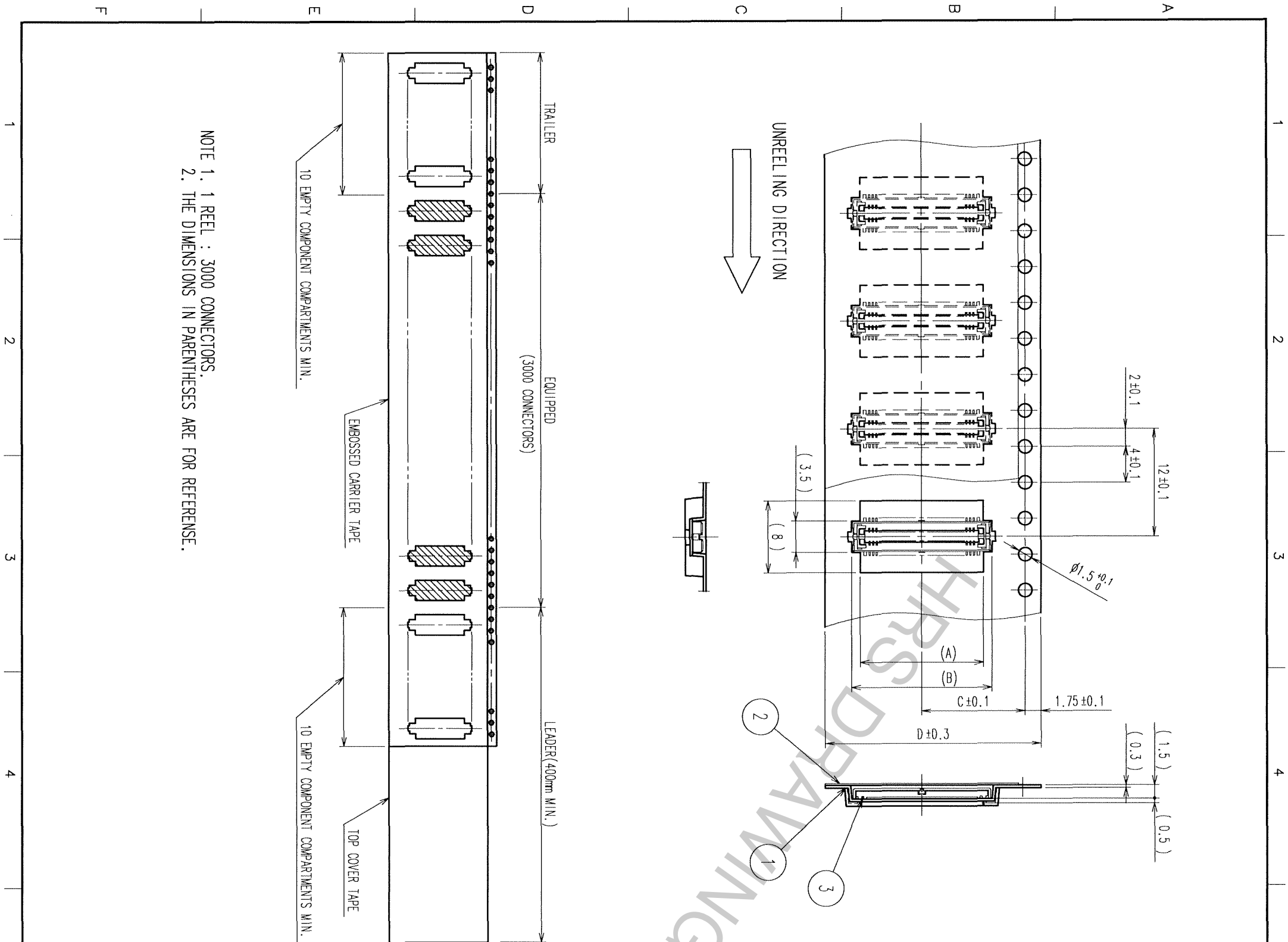
CHECKED: '06.08.11

APPROVED: '06.08.11

RELEASED:

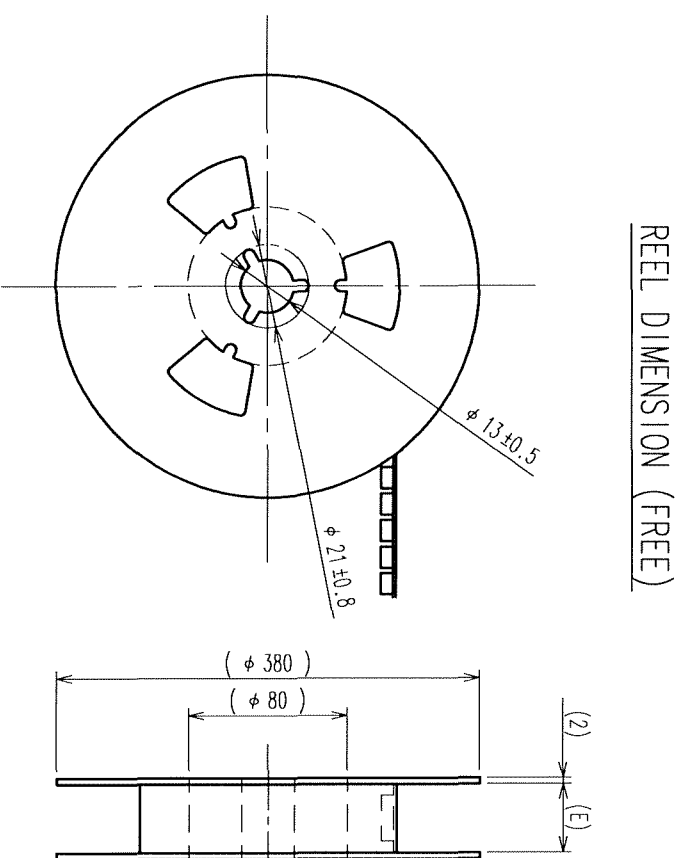
TO

TO



NOTE 1. 1 REEL : 3000 CONNECTORS.
2. THE DIMENSIONS IN PARENTHESES ARE FOR REFERENCE.

COUNT	DESCRIPTION OF REVISIONS	BY	CHKD	DATE	COUNT	DESCRIPTION OF REVISIONS	BY	CHKD	DATE



PART NO.	CODE NO.	A	B	C	D	E
FX12B-24S-0.4SV	CL573-1006-3-00	6.5	8.4	11.5	24	24.4
FX12B-40S-0.4SV	CL573-1002-2-00	9.7	11.6	11.5	24	24.4
FX12B-50S-0.4SV		11.7	13.6	11.5	24	24.4
FX12B-60S-0.4SV	CL573-1008-9-00	13.7	15.6	11.5	24	24.4

NO.	MATERIAL	FINISH, REMARKS	NO.	MATERIAL	FINISH, REMARKS
3		(CONNECTOR)			
2	POLYESTER	(TOP COVER TAPE)			
1	POLYSTYRENE	(EMBOSSED CARRIER TAPE)			

DRAWING FOR PACKAGING

SCALE: 2 : 1

UNITS: mm

DRAWING NO. EDC3-156245

DRAWN: T. NODA '06.04.10

CHECKED: '06.04.11

APPROVED: '06.05.11

PART NO. FX12B-*S-O.4SV

CODE NO. CL573

HRS HIROSE ELECTRIC CO., LTD.

FORM NO. 229