



Chipsmall Limited consists of a professional team with an average of over 10 year of expertise in the distribution of electronic components. Based in Hongkong, we have already established firm and mutual-benefit business relationships with customers from,Europe,America and south Asia,supplying obsolete and hard-to-find components to meet their specific needs.

With the principle of “Quality Parts,Customers Priority,Honest Operation,and Considerate Service”,our business mainly focus on the distribution of electronic components. Line cards we deal with include Microchip,ALPS,ROHM,Xilinx,Pulse,ON,Everlight and Freescale. Main products comprise IC,Modules,Potentiometer,IC Socket,Relay,Connector.Our parts cover such applications as commercial,industrial, and automotives areas.

We are looking forward to setting up business relationship with you and hope to provide you with the best service and solution. Let us make a better world for our industry!



## Contact us

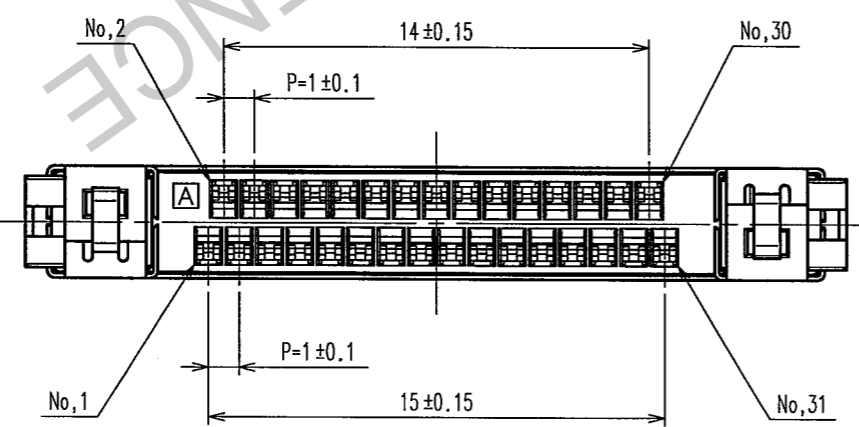
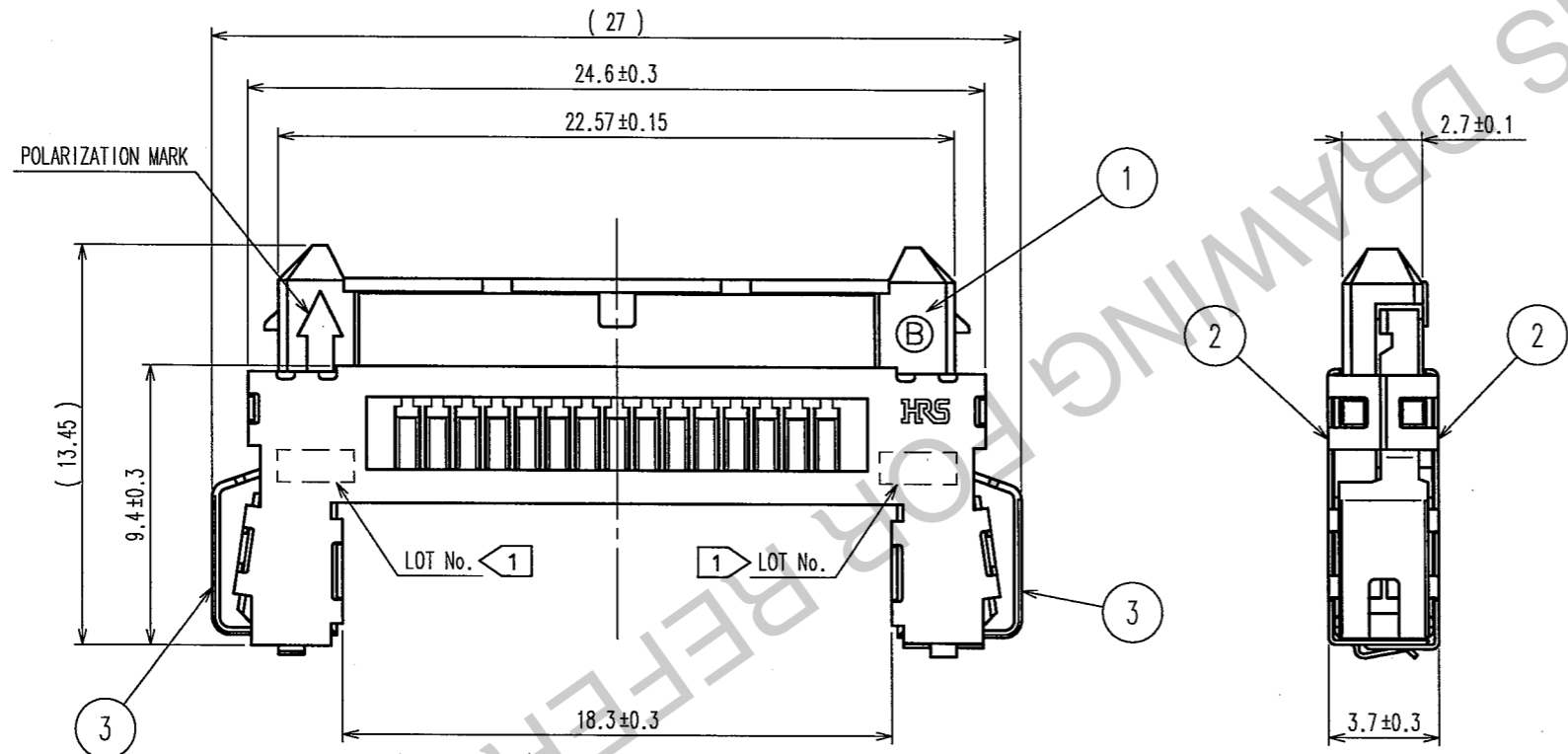
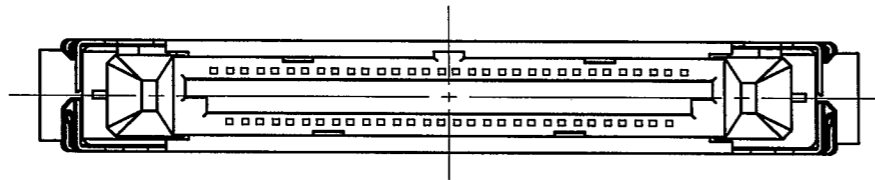
Tel: +86-755-8981 8866 Fax: +86-755-8427 6832

Email & Skype: info@chipsmall.com Web: www.chipsmall.com

Address: A1208, Overseas Decoration Building, #122 Zhenhua RD., Futian, Shenzhen, China



COUNT	DESCRIPTION OF REVISIONS	BY	CHKD	DATE	COUNT	DESCRIPTION OF REVISIONS	BY	CHKD	DATE
△				..	△				..
△				..	△				..
△				..	△				..



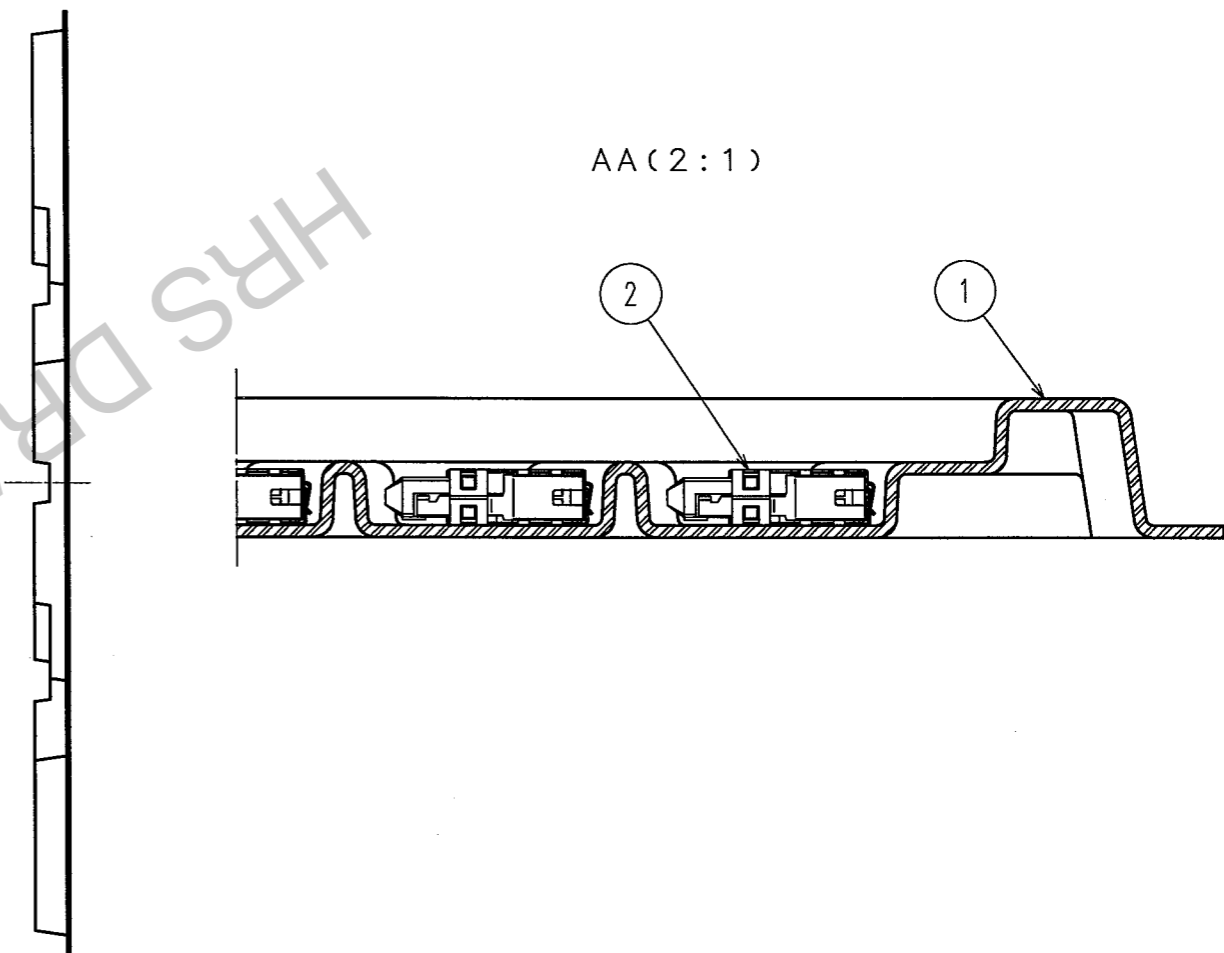
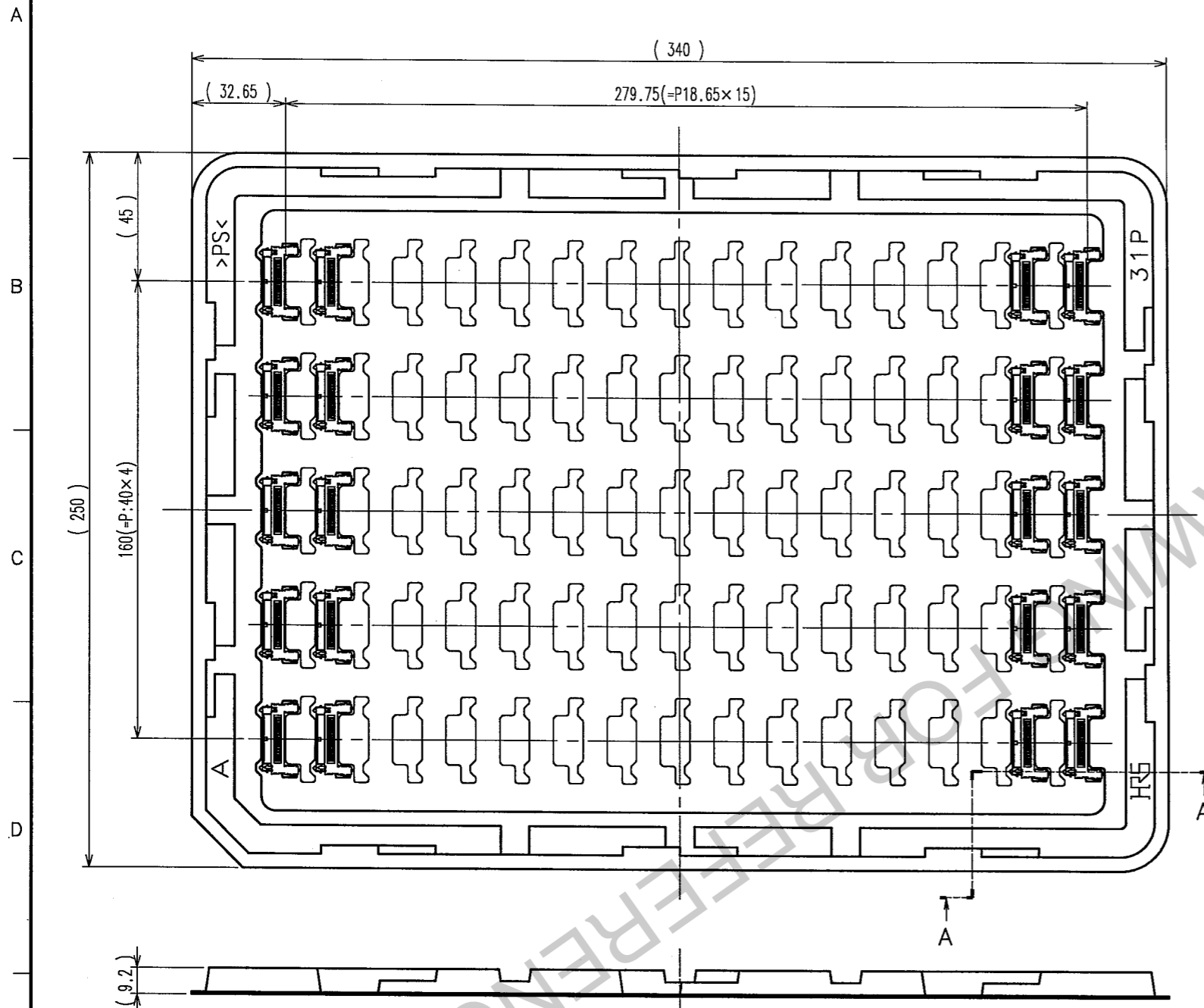
NOTE 1 LOT NO. SURFACE OPTIONAL.  
 2 THE DIMENSIONS IN PARENTHESES ARE FOR REFERENCE.  
 3 PACKAGING FOR THIS PRODUCT APPLIES TRAY.SEE SHEET 2/2 FOR DETAILS.

1	PA	BLACK	UL94V-0	2,3	STAINLESS				
NO.	MATERIAL	FINISH, REMARKS		NO.	MATERIAL	FINISH, REMARKS			
CODE NO. (OLD) CL				DRAWN	DESIGNED	CHECKED	APPROVED	RELEASED	
				K.SHIBUYA 05.07.25	K. Shibuya 05.07.25	H. Yamaguchi 05.07.25	H. Okawa 05.07.25	..	
DRAWING NO. EDC3-155326				PART NO. FX15-31P-C					
SCALE 4 : 1				CODE NO. CL575-2101-2					
UNITS mm				HRS HIROSE ELECTRIC CO., LTD				1/2	

TO



COUNT	DESCRIPTION OF REVISIONS	BY	CHKD	DATE	COUNT	DESCRIPTION OF REVISIONS	BY	CHKD	DATE
△				..	△				..
△				..	△				..
△				..	△				..



NOTE 1 ONE TRAY INCLUDES 80PCS OF PRODUCTS.  
 2 DIRECTIONS OF THIS PRODUCTS ARE AS SHOWN.  
 BOTH SIDES TO BE OPTIONAL.  
 3 THE DIMENSIONS IN PARENTHESES ARE FOR REFERENCE.

TO

1	PS	TRAY	2	CONNECTOR		
NO.	MATERIAL	FINISH, REMARKS	NO.	MATERIAL	FINISH, REMARKS	
CODE NO. (OLD) CL		DRAWN K. SHIBUYA 05.07.25	DESIGNED K. Shibuya 05.07.25	CHECKED H. Yamaguchi 05.07.25	APPROVED H. Okawa 05.07.25	RELEASED ..
DRAWING NO. EDC3-155326			PART NO. FX15-31P-C			
SCALE 1 : 2			CODE NO. CL575-2101-2			
UNITS mm			HIROSE ELECTRIC CO., LTD			