



Chipsmall Limited consists of a professional team with an average of over 10 year of expertise in the distribution of electronic components. Based in Hongkong, we have already established firm and mutual-benefit business relationships with customers from,Europe,America and south Asia,supplying obsolete and hard-to-find components to meet their specific needs.

With the principle of “Quality Parts,Customers Priority,Honest Operation,and Considerate Service”,our business mainly focus on the distribution of electronic components. Line cards we deal with include Microchip,ALPS,ROHM,Xilinx,Pulse,ON,Everlight and Freescale. Main products comprise IC,Modules,Potentiometer,IC Socket,Relay,Connector.Our parts cover such applications as commercial,industrial, and automotives areas.

We are looking forward to setting up business relationship with you and hope to provide you with the best service and solution. Let us make a better world for our industry!



Contact us

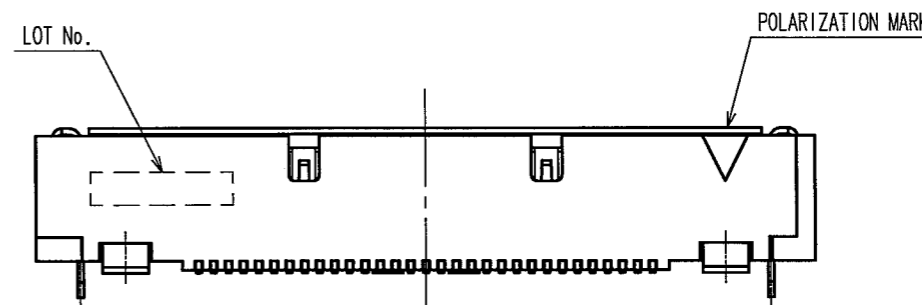
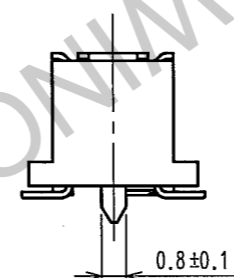
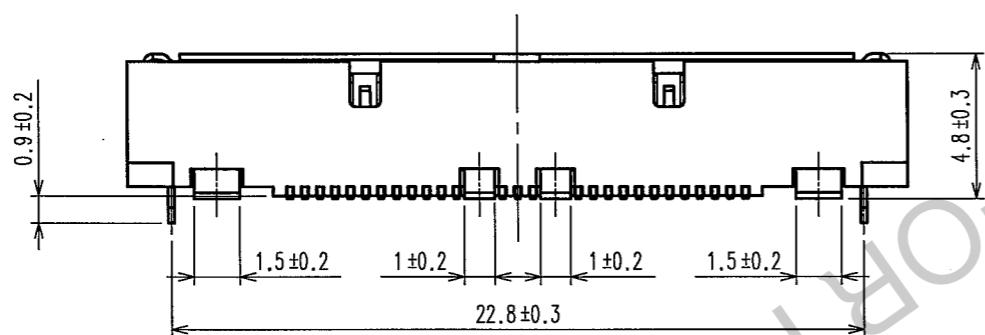
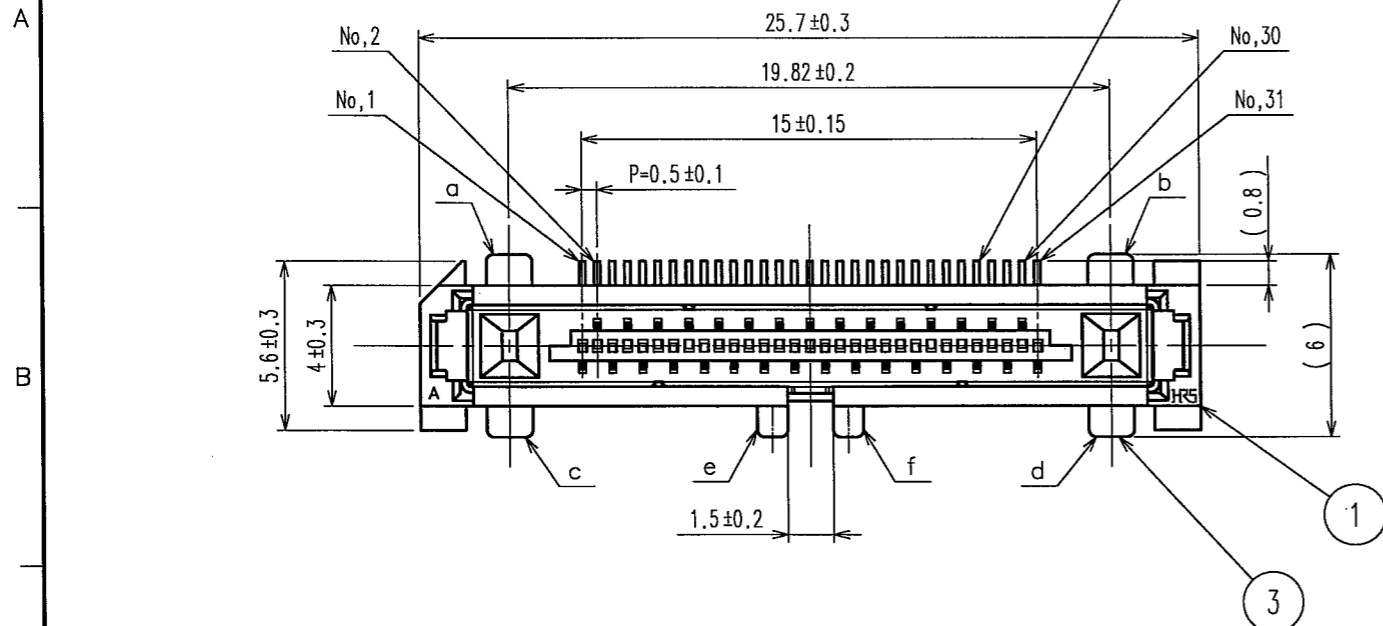
Tel: +86-755-8981 8866 Fax: +86-755-8427 6832

Email & Skype: info@chipsmall.com Web: www.chipsmall.com

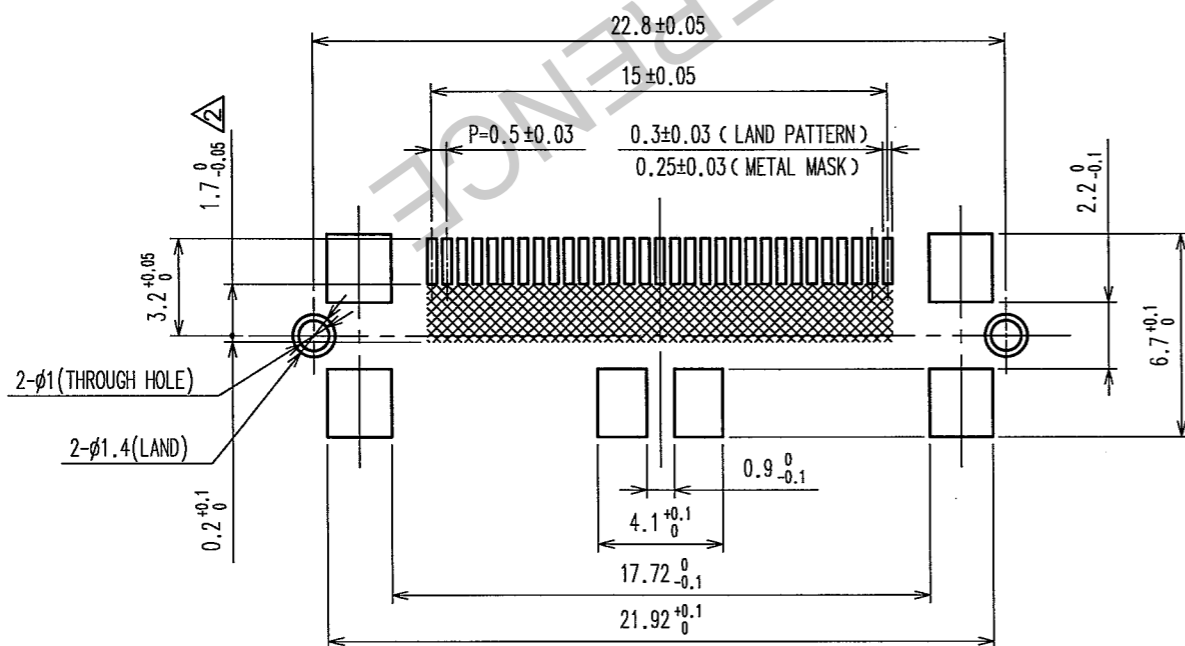
Address: A1208, Overseas Decoration Building, #122 Zhenhua RD., Futian, Shenzhen, China



COUNT	DESCRIPTION OF REVISIONS	BY	CHKD	DATE	COUNT	DESCRIPTION OF REVISIONS	BY	CHKD	DATE
1	RE-F-10583	K.S.	H.Y.	05.07.06					



RECOMMENDED LAND PATTERN DIMENSION OF P.C.B

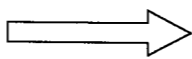


- NOTE 1 LEAD-COPLANARITY OF THIS PRODUCT TO BE 0.1MAX FOR SMT LEAD AND GROUND PLATE LEAD:c,d. 0.15MAX FOR GROUND PLATE LEAD:a,b,e,f.
 2 AREA OF INNER SMT LAND REQUIRES PATTERN PROHIBITION OR RESIST TREATMENT TO PREVENT THE PATTERN TOUCHING TO THE CONTACTS.
 3 THE DIMENSIONS IN PARENTHESES ARE FOR REFERENCE.
 4 PACKAGING FOR THIS PRODUCT APPLIES EMBOSSED CARRIER TAPE PACKAGING.SEE SHEET 2/2 FOR DETAILS.

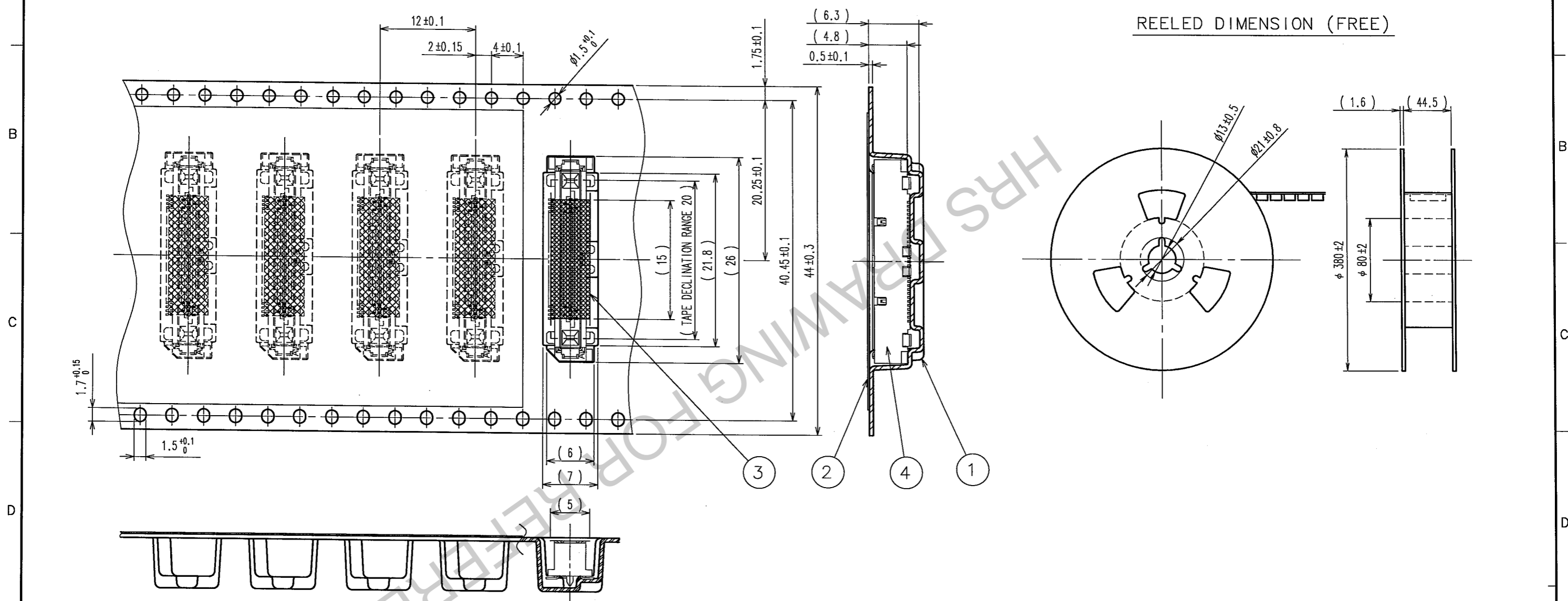
3	NICKEL SILVER		2	PHOSPHOR BRONZE	CONTACT AREA:GOLD 0.1μ m min
1	PA	BLACK UL94V-0			LEAD AREA:TIN-PLATING 1μ m min
					UNDER PLATING:NICKEL 0.5μ m min
NO.	MATERIAL	FINISH, REMARKS	NO.	MATERIAL	FINISH, REMARKS
CODE NO. (OLD) CL			DRAWN	DESIGNED	CHECKED
			K.SHIBUYA	K.SHIBUYA	H.YAMAGUCHI
			05.01.28	05.01.28	05.01.31
			APPROVED	RELEASED	
			H.OKAWA		
			05.01.31		
DRAWING NO. EDC3-155329			PART NO. FX15-31S-0.5SV		
SCALE 4 : 1			CODE NO. CL575-2201-7		
UNITS mm			1/2		

COUNT	DESCRIPTION OF REVISIONS	BY	CHKD	DATE	COUNT	DESCRIPTION OF REVISIONS	BY	CHKD	DATE

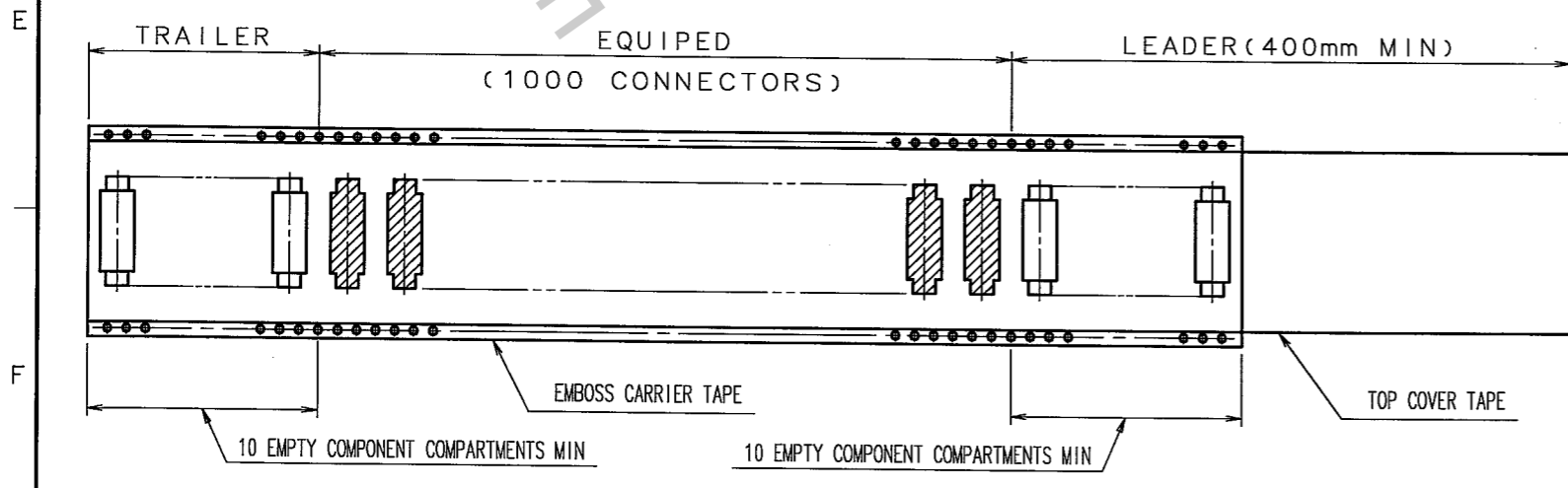
THE DIRECTION OF PULLING OUT



REELED DIMENSION (FREE)



NOTE 1 1 REEL : 1000 CONNECTORS.



NO.	MATERIAL	FINISH, REMARKS	NO.	MATERIAL	FINISH, REMARKS
2	POLYESTER	TOP COVER TAPE	4	CONNECTOR	
1	PS	EMBOSS CARRIER TAPE	3	POLYIMIDE	TAPE FOR VACUUM PICKUP

CODE NO. (OLD) CL	DRAWN K.SHIBUYA 05.01.28	DESIGNED K.SHIBUYA 05.01.28	CHECKED H.YAMAGUCHI 05.01.31	APPROVED H.OKAWA 05.01.31	RELEASED .
DRAWING NO. EDC3-155329		PART NO. FX15-31S-0.5SV			
SCALE 2 : 1		CODE NO. CL575-2201-7			2
UNITS mm		HIROSE ELECTRIC CO., LTD			

TO