



Chipsmall Limited consists of a professional team with an average of over 10 year of expertise in the distribution of electronic components. Based in Hongkong, we have already established firm and mutual-benefit business relationships with customers from,Europe,America and south Asia,supplying obsolete and hard-to-find components to meet their specific needs.

With the principle of "Quality Parts,Customers Priority,Honest Operation,and Considerate Service",our business mainly focus on the distribution of electronic components. Line cards we deal with include Microchip,ALPS,ROHM,Xilinx,Pulse,ON,Everlight and Freescale. Main products comprise IC,Modules,Potentiometer,IC Socket,Relay,Connector.Our parts cover such applications as commercial,industrial, and automotives areas.

We are looking forward to setting up business relationship with you and hope to provide you with the best service and solution. Let us make a better world for our industry!



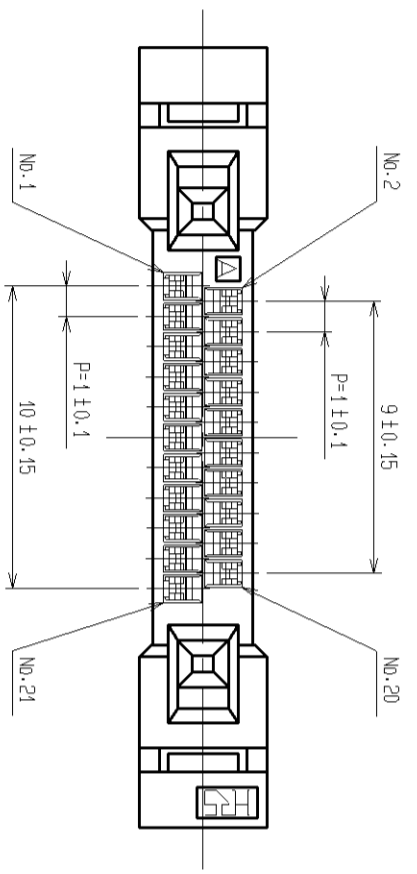
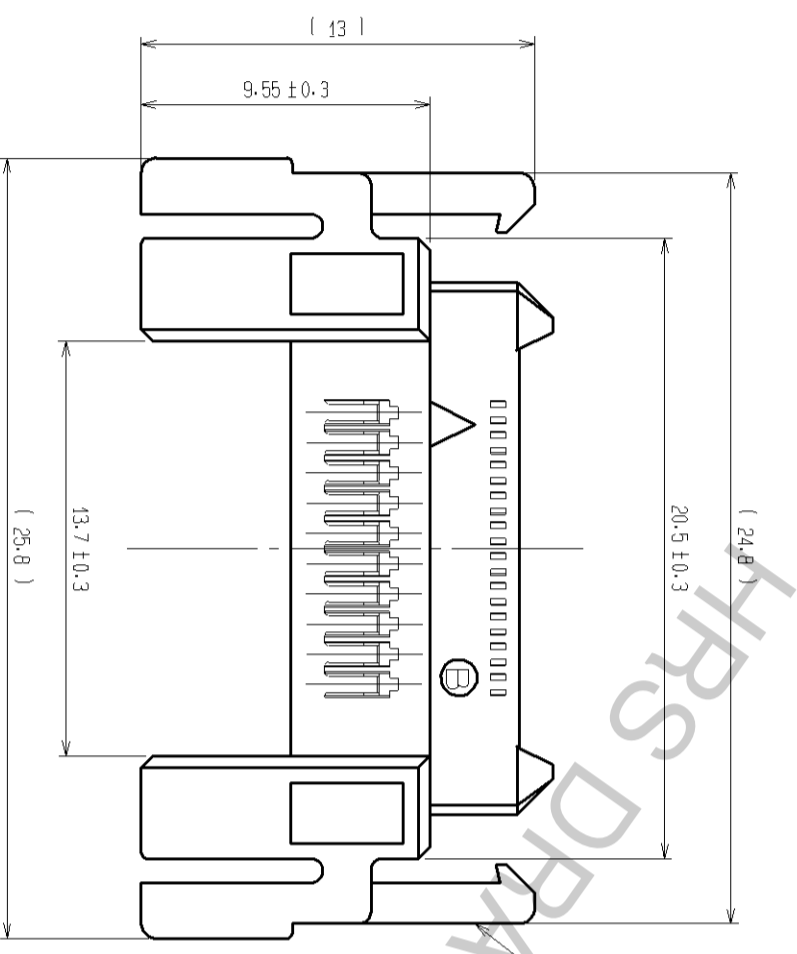
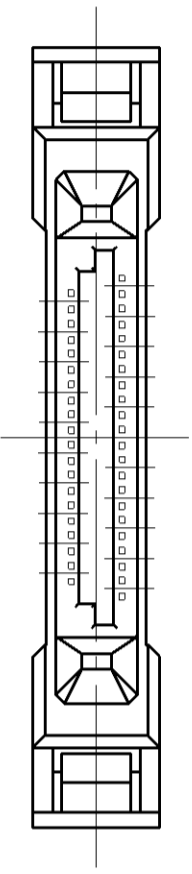
## Contact us

Tel: +86-755-8981 8866 Fax: +86-755-8427 6832

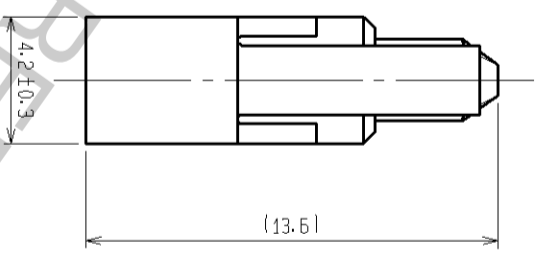
Email & Skype: info@chipsmall.com Web: www.chipsmall.com

Address: A1208, Overseas Decoration Building, #122 Zhenhua RD., Futian, Shenzhen, China





1



NOTE 1. ( ) indicates a reference dimension.  
 2. The connectors are delivered in bag packing.

NO.	PA	BLACK	UL94V-0
1	PA	BLACK	UL94V-0

UNITS mm		SCALE 4 : 1	COUNT	DESCRIPTION OF REVISIONS	DRAWING NO.	DESIGNED	CHECKED	DATE
HIROSE ELECTRIC CO., LTD.		APPROVED : HS,OKAWA			EDC3-155943-00			
		CHECKED : HT,YAMAGUCHI			FX15M-21P-C			
		DESIGNED : KN,SHIBUYA			CL575-2109-4-00			
		DRAWN : TH,KAMAI						

FORM NO.229-1

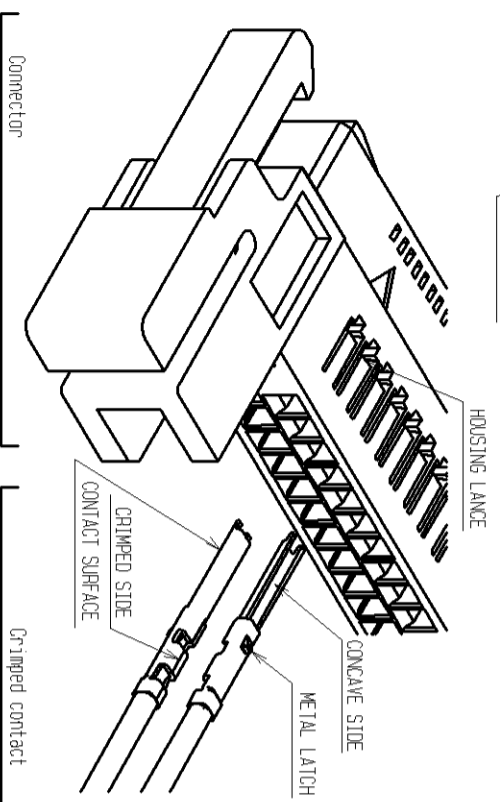
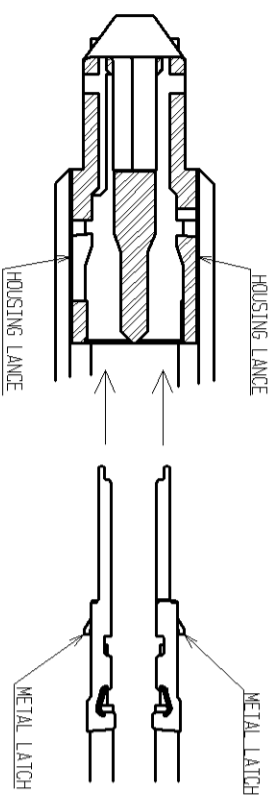
This connector requires careful handling. Please operate the connector with understanding of the following operation instructions.

**Cautions for cable assembly**

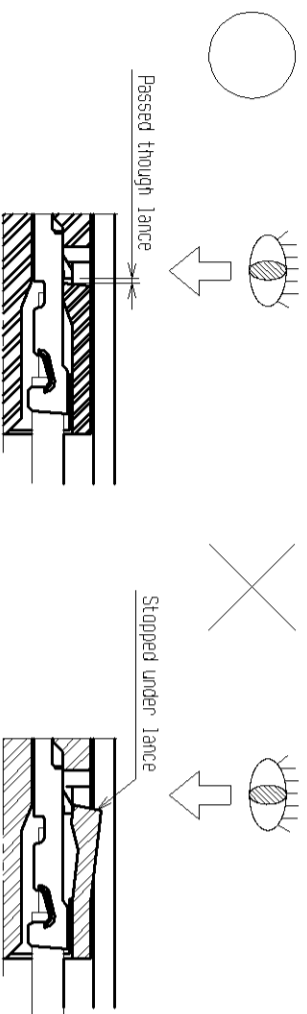
- ◆ Cable assembly conditions  
It is recommended that prior to starting of the cable termination the following information be obtained from Hirose. All documents may be requested from the nearest Hirose sales office or agency.
  1. Crimping operation basic instruction (Basic information about cable assembly)
  2. Instruction Manual-Contact crimp termination (Description of the press)
  3. Installation Table-Applicator parts (Installation instruction-Applicator)
  4. Table of crimp conditions (Crimp height, Tensile strength)
  5. Manual of Crimp Quality Standards (Bell-mouth dimensions, Bend up/down, Rolling, others)

Follow the instructions in the documents for proper cable assembly.

- ◆ Crimped contact insertion  
Insert the crimped contacts straight, aligning the faces of the housing lance and the metal latch as shown in the figure. Insertion will not be completed without the alignment. It may also cause the deformation of the crimped contacts or the damage to the housing.

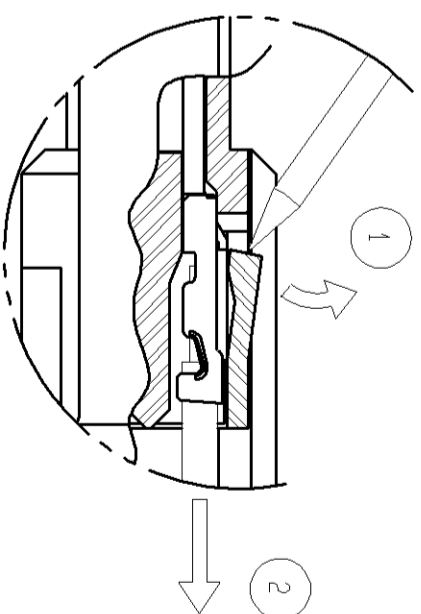


- ◆ Insertion confirmation of crimped contact  
To confirm the proper contact insertion, check the position of the metal latch through the housing lance opening. With the contact properly inserted, the metal latch is positioned where it has completely passed through the housing lance.



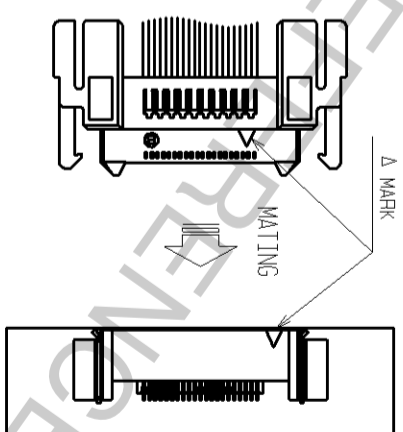
When the cable needs to be pulled for the check, make sure that the applied force is 3 N or lower. Excessive pulling of the cable may damage the housing lance, resulting in the deterioration of the lance retention force.

- ◆ Repair of crimped contacts  
To extract the crimped contact after insertion, pull the cable, with lifting the housing lance with a pointy tool such as a needle. The repair work may have reduced the lance retention force. Therefore, do not reuse the repaired connector. Prepare a new connector.



**Cautions for mating with on-board connector**

- ◆ Insertion to on-board connector  
The connector mating is keyed. Align the marks as shown in the figure for mating. Insert the connector completely until they are locked at both ends. The connectors have a reverse-insertion prevention structure, however, the connectors may be damaged when inserted reversely with the force of 25 N or more. Avoid a forceful insertion, and make sure to confirm that the connectors are aligned with the marks before the mating operation.



RECEPTACLE: FX15M-21S-0.5SH

Note: The connectors shown in this "INSTRUCTION MANUAL" are drawn for the instruction purpose, therefore, the appearance differs from the actual connectors. Please confirm the connector configuration on the connector drawing (SHEET 1).

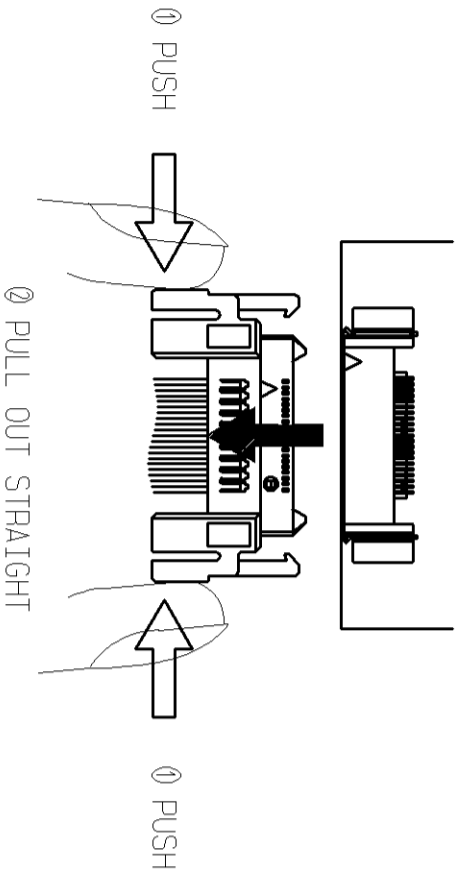
**INSTRUCTION MANUAL**

<b>HRS</b>	
DRAWING NO.	EDC3-155943-00
PART NO.	FX15M-21P-C
CODE NO.	CL575-2109-4-00
	2/3

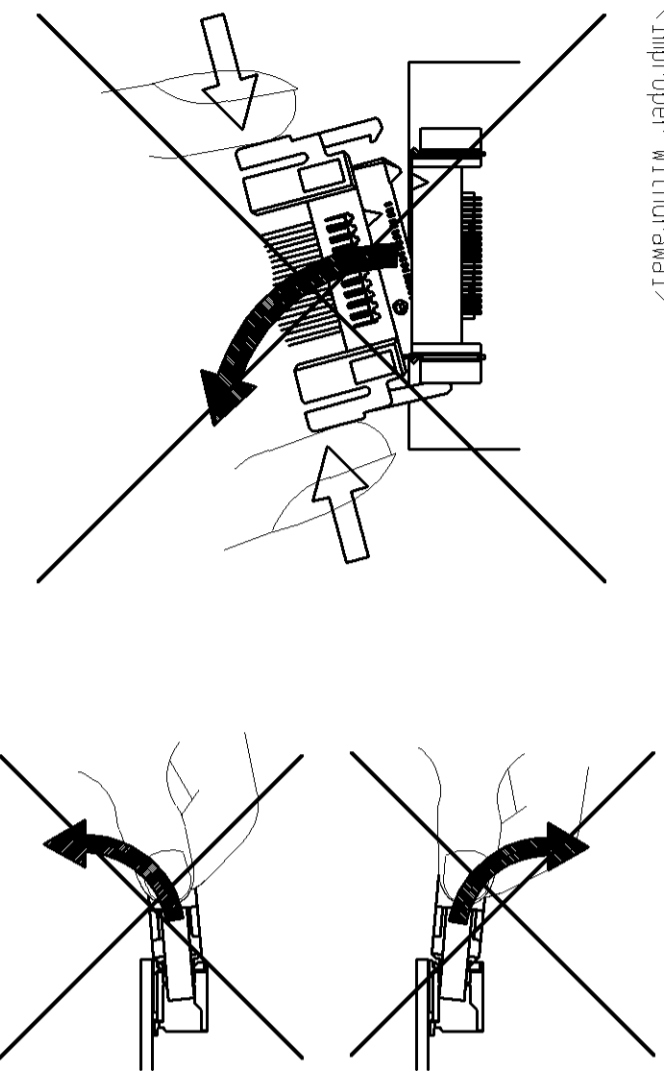
◆ After mating  
 Carefully wire cables, so that excessive force will not be applied to the mated connectors. Especially, pulling a single cable with the force of 4 N or more may cause the cable (crimped contact) to fall out. Also, pulling a whole set of cables with the force of 20 N or more may damage the connectors. Take a caution to avoid pulling the cables.

◆ Withdrawal from on-board connector  
 The connectors are locked while they are mated. In order to unmate the connectors, pull the connector straight, with releasing the lock by pushing both sides of the connector. At this time, do not pull the cable. Also, avoid the withdrawal in angle, which may damage the connectors.

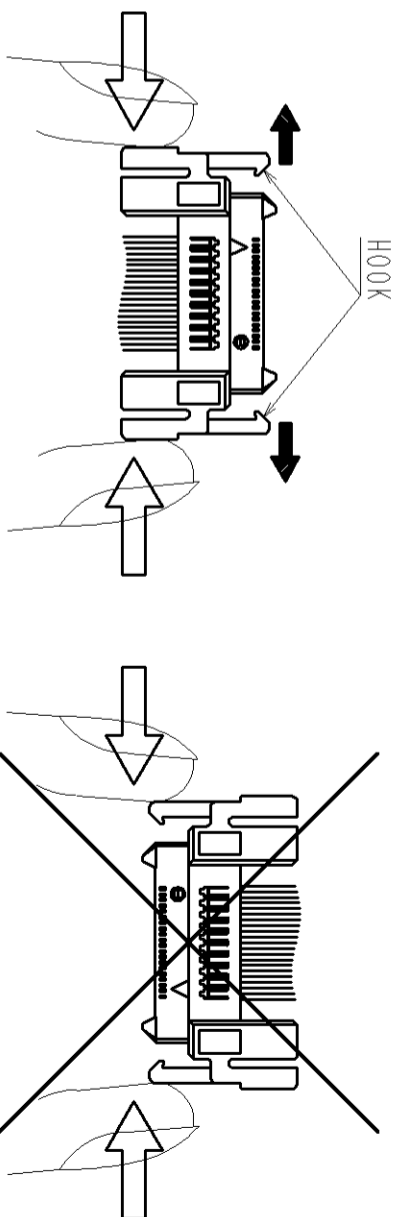
<Proper withdrawal>



<Improper withdrawal>



◆ Moving parts for lock mechanism  
 Excessive lock release operation to this single unit except for the purpose of connector withdrawal and direct action to the lock hook by fingers and such may damage the connectors.



Note: The connectors shown in this "INSTRUCTION MANUAL" are drawn for the instruction purpose; therefore, the appearance differs from the actual connectors. Please confirm the connector configuration on the connector drawing (SHEET 1).

INSTRUCTION MANUAL

<b>HRS</b>	DRAWING NO.	EDC3-155943-00
	PART NO.	FX15M-21P-C
	CODE NO.	CL575-2109-4-00
		3/3