



Chipsmall Limited consists of a professional team with an average of over 10 year of expertise in the distribution of electronic components. Based in Hongkong, we have already established firm and mutual-benefit business relationships with customers from,Europe,America and south Asia,supplying obsolete and hard-to-find components to meet their specific needs.

With the principle of “Quality Parts,Customers Priority,Honest Operation,and Considerate Service”,our business mainly focus on the distribution of electronic components. Line cards we deal with include Microchip,ALPS,ROHM,Xilinx,Pulse,ON,Everlight and Freescale. Main products comprise IC,Modules,Potentiometer,IC Socket,Relay,Connector.Our parts cover such applications as commercial,industrial, and automotives areas.

We are looking forward to setting up business relationship with you and hope to provide you with the best service and solution. Let us make a better world for our industry!



## Contact us

Tel: +86-755-8981 8866 Fax: +86-755-8427 6832

Email & Skype: info@chipsmall.com Web: www.chipsmall.com

Address: A1208, Overseas Decoration Building, #122 Zhenhua RD., Futian, Shenzhen, China



COUNT	DESCRIPTION OF REVISIONS	BY	CHKD	DATE	COUNT	DESCRIPTION OF REVISIONS	BY	CHKD	DATE
△					△				
△					△				
△					△				

A

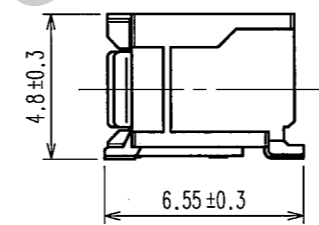
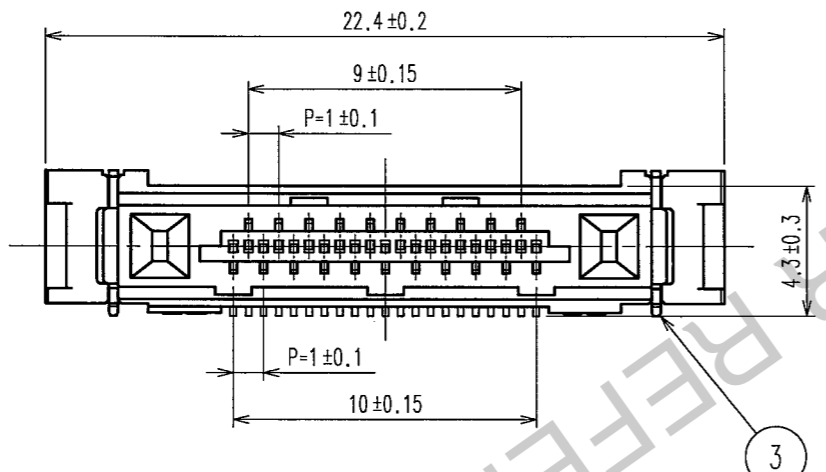
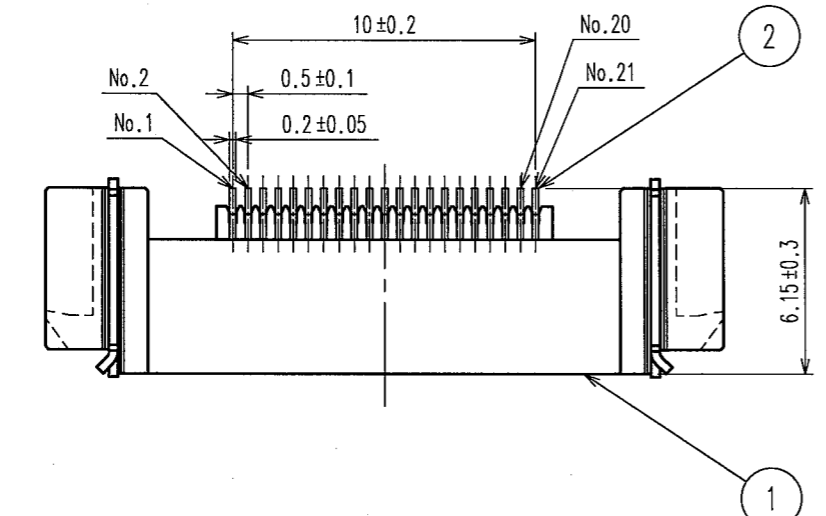
B

C

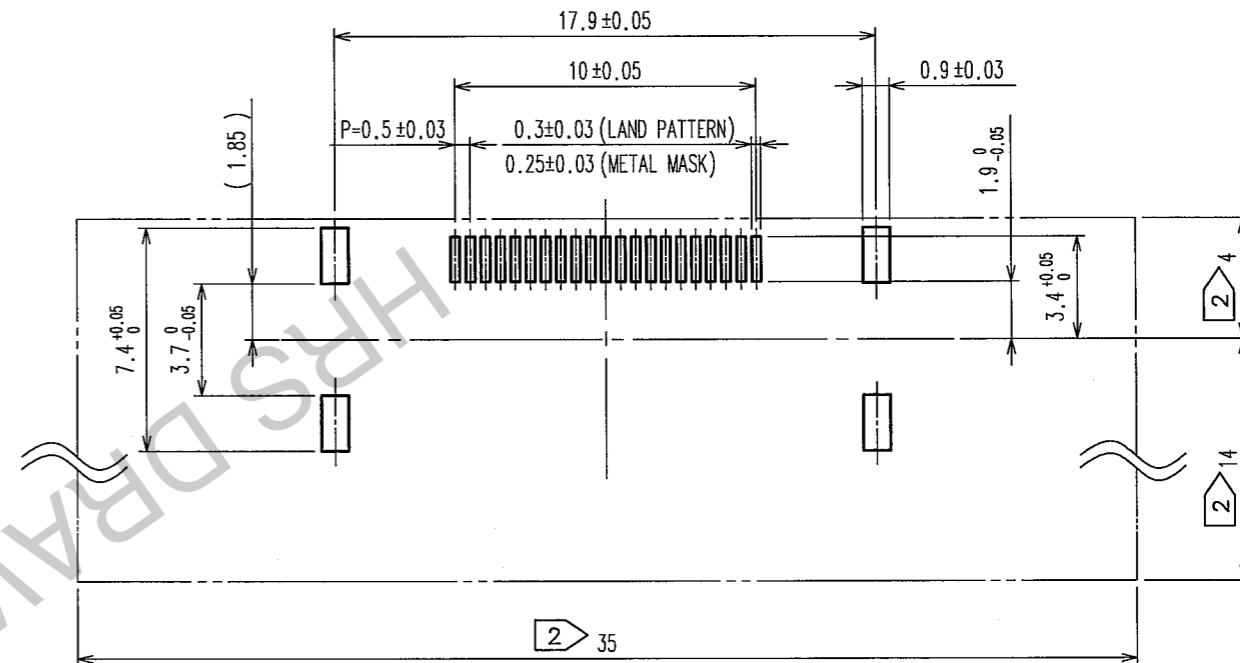
D

E

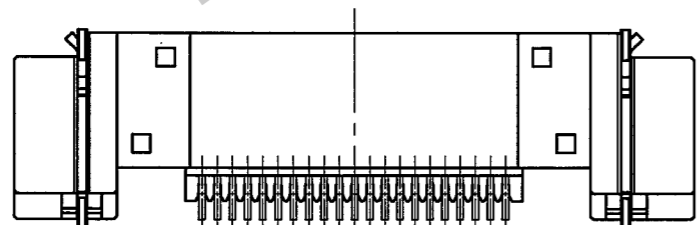
F



RECOMMENDED LAND PATTERN



NOTE 1 SMT LEAD-COPLANARITY:0.1MAX.  
 2 DO NOT MOUNT OTHER DEVICES ONTO □ AREA, OR MATINGPAIR CANNOT BE MATED AND OPERATED THE LOCK PARTS.



3	PHOSPHOR BRONZE	PARTIAL PLATING : GOLD FLASH	2	PHOSPHOR BRONZE	CONTACT AREA:GOLD 0.1μ m min.
1	POLYAMIDE	BLACK, UL94 V-0			LEAD AREA:TIN-PLATING 1μ m min.
					UNDER PLATING:NICKEL 0.5μ m min.
NO.	MATERIAL	FINISH, REMARKS	NO.	MATERIAL	FINISH, REMARKS

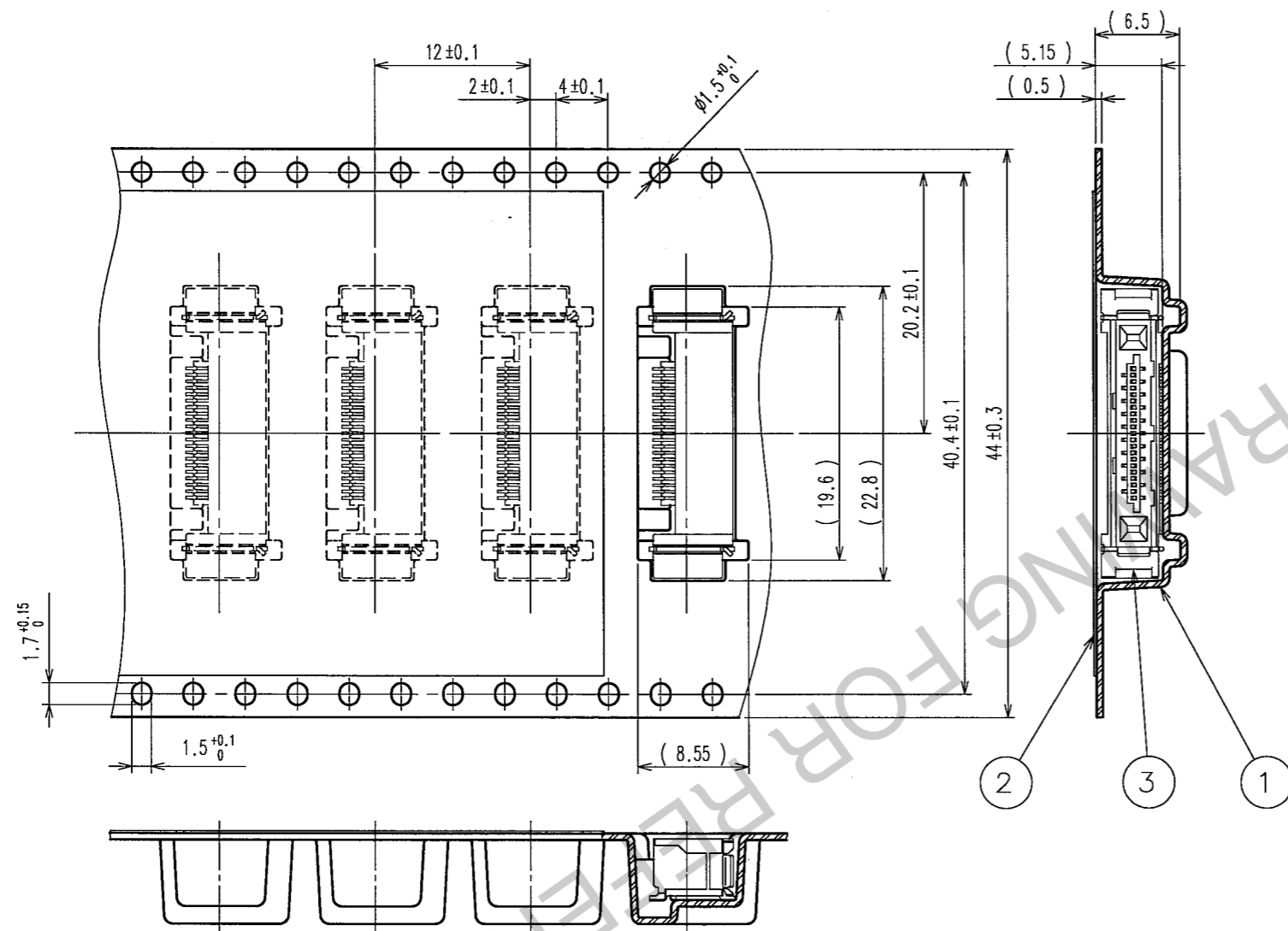
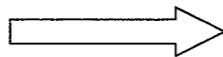
CODE NO. (OLD)	DRAWN	DESIGNED	CHECKED	APPROVED	RELEASED
	T.NODA '06.05.12	J.Moda '06.05.12	H.Yamaguchi '06.05.12	H.Okawa '06.05.15	

SCALE	DRAWING NO.	PART NO.
4 : 1	EDC3-155941	FX15M-21S-0.5SH
UNITS	CODE NO.	
mm	CL575-2309-3	1/2

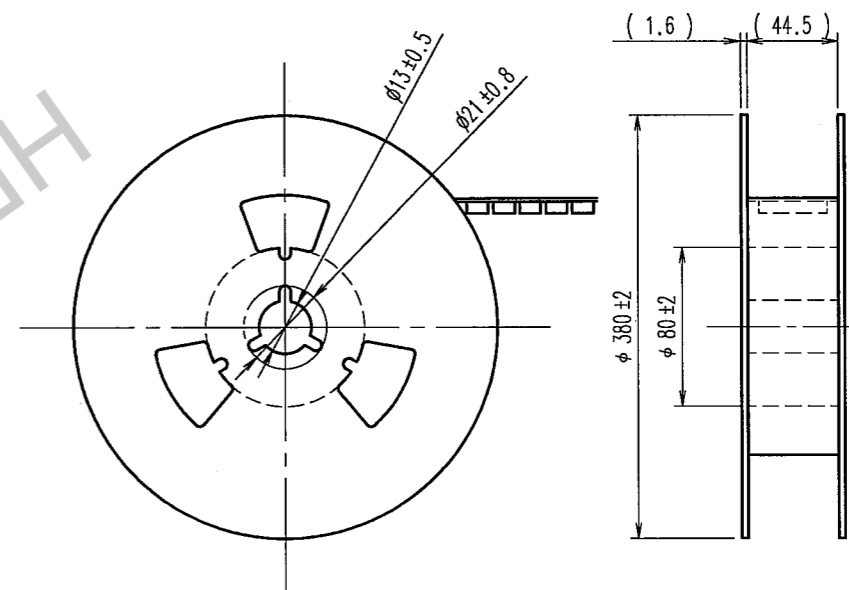
TO

COUNT	DESCRIPTION OF REVISIONS	BY	CHKD	DATE	COUNT	DESCRIPTION OF REVISIONS	BY	CHKD	DATE
△					△				
△					△				
△					△				

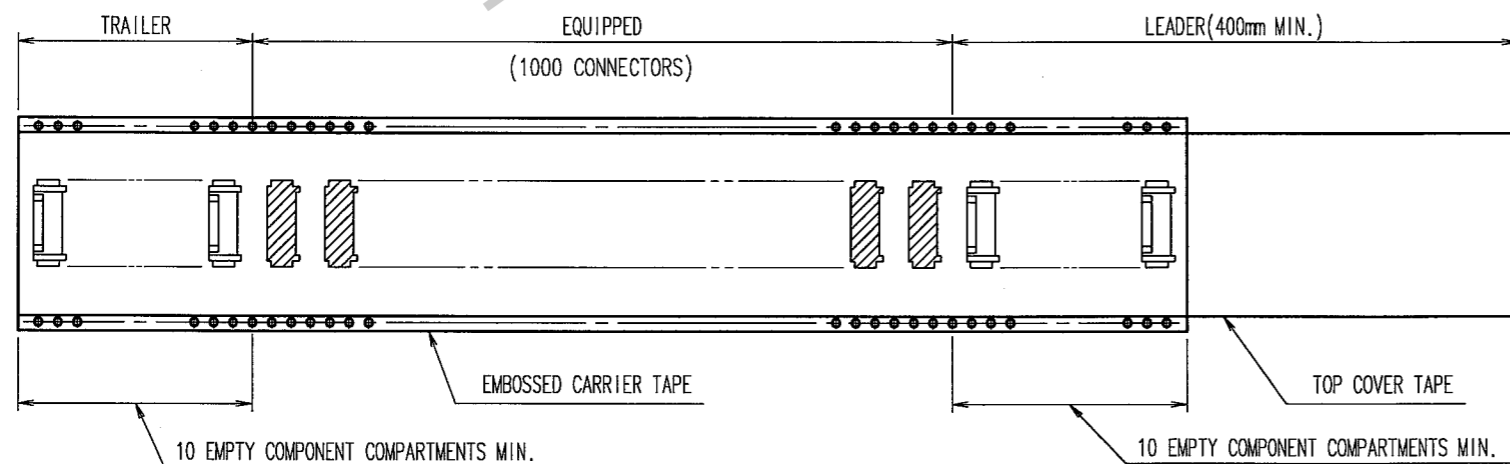
UNREELING DIRECTION



REEL DIMENSION (FREE)



NOTE 1. 1 REEL : 1000 CONNECTORS.



3		(CONNECTOR)
2	POLYESTER	(TOP COVER TAPE)
1	POLYSTYRENE	(EMBOSSED CARRIER TAPE)

NO.	MATERIAL	FINISH, REMARKS	NO.	MATERIAL	FINISH, REMARKS
CODE NO. (OLD)		DRAWN		DESIGNED	CHECKED
DRAWING FOR PACKAGING		T.NODA	T.Noda	H. Yamaguchi	H. Okawa
		'06.05.12	'06.05.12	'06.05.12	'06.05.15
SCALE		DRAWING NO.		PART NO.	
2 : 1		EDC3-155941		FX15M-21S-0.5SH	
UNITS		HRS HIROSE ELECTRIC CO., LTD		CODE NO.	
mm				CL575-2309-3	

TO